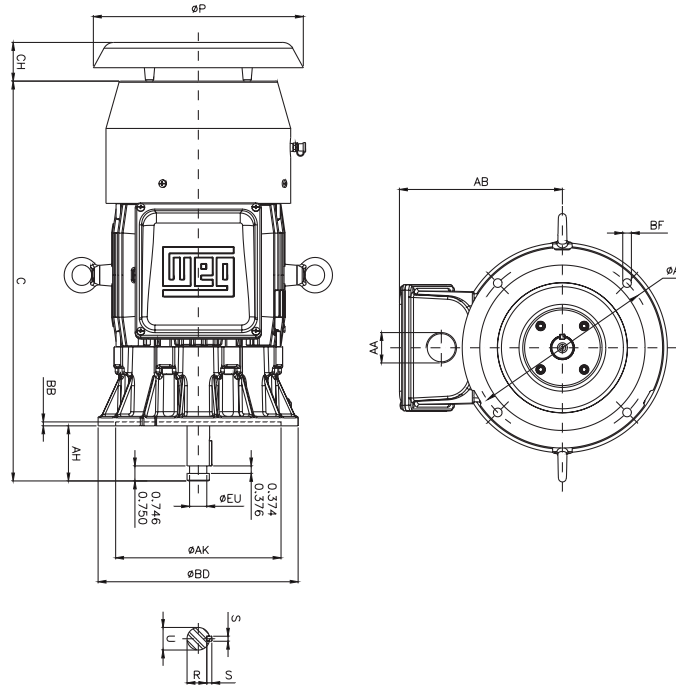


In-Line Extra Thrust Motors - LP and LPH

TEFC - Mechanical Data



NEMA FRAMES	AH	AK	AJ	BD	BB	BF	EU	ES	U	S	R	P	AB	C	CH	AA	BEARINGS	
																	D.E.	N.D.E.
182 LP	2.750	8.250	9.125	10.000	0.196	0.440	0.875	1.280	1.125	0.250	0.984	10.472	8.228	19.350	1.929	NPT1"	6206	2x7306
184 LP							20.354											
213 LP							21.665											
215 LP							23.161											
254 LP							26.705											
256 LP	28.437	2.323	NPT1.0.5"	6309	2x7309													
284 LP	29.409																	
286 LP	4.500	13.500	14.750	16.500	0.250	0.687	1.750	3.150	2.125	0.500	1.845	14.961	10.787	29.409	2.716	NPT1.0.5"	6212	2x7310
324 LP														30.906				
326 LP														32.323				
364/5 LP														33.819				
404/5 LP - 2P														35.925				
404/5 LP	17.087	11.732																
444/5 LP - 2P	21.417	16.693	3.583	NPT3"	6314	2x7311												
444/5 LP	26.850	19.843					41.909	2xNPT3"	2x7311									