

DATE
FEBRUARY 23, 2007
CATALOG NO.
DHPO102

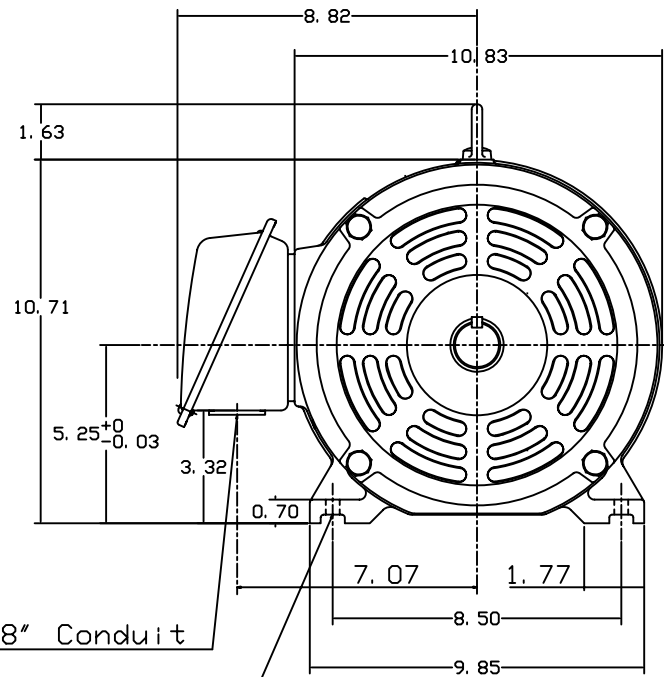
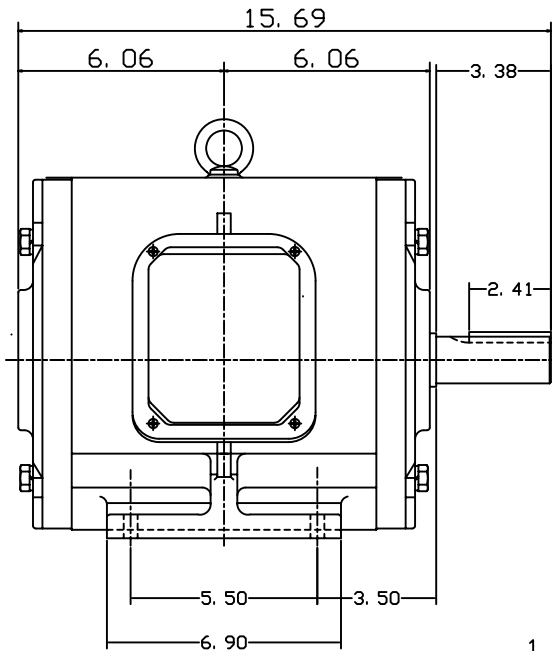
OUTLINE DIMENSIONS
3-PHASE INDUCTION MOTOR

MOTOR TYPE:
ASHH
FRAME NO. 213T

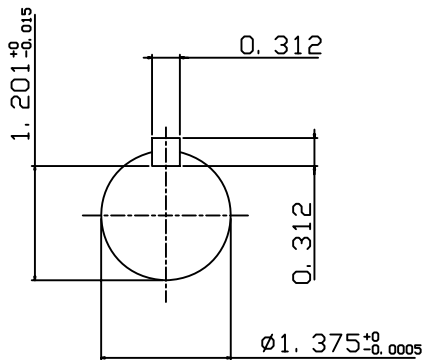
Pole	HP	KW	Hz	VOLT	Syn. Speed RPM
2	10	7.5	60	230/460	3600

Ins	Rating	Dimension in	Approx Weight	Bearings
F	CONT.	inch	159 lbs.	DE: 6308zz NDE: 6306zz

Open Protected Drip-Proof Squirrel Cage Rotor.



1.38" Conduit
4-∅0.41 Holes



DWN.	J. H. LIANG	12-22-98
CHKD.	C. S. LO	05-20-99
APPD.	Y. B. HUANG	05-20-99

J:\Sales-Mkt\Tframe\TECH-SUP\Auto Cad Drawings\New\logoblackwhite_1.tif

DWG NO.
31057H381002