

DATE
Jan. 14, 2012
CAT. #: VHP0154

OUTLINE DIMENSIONS

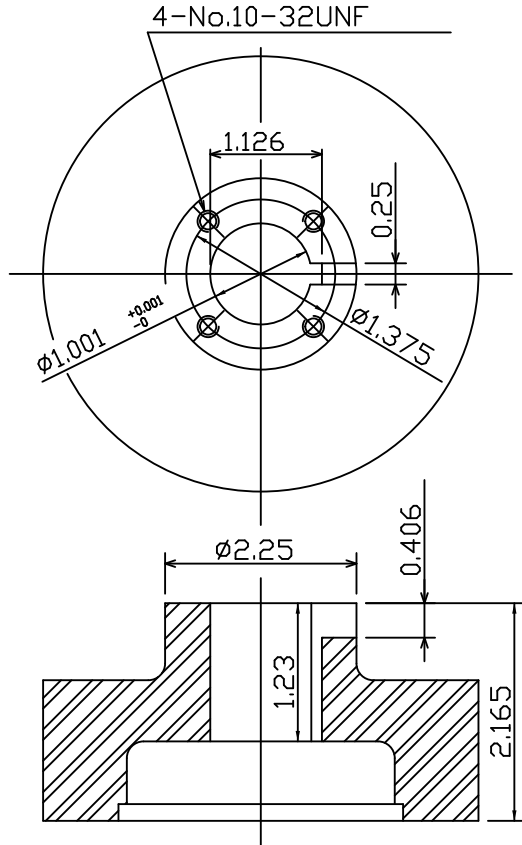
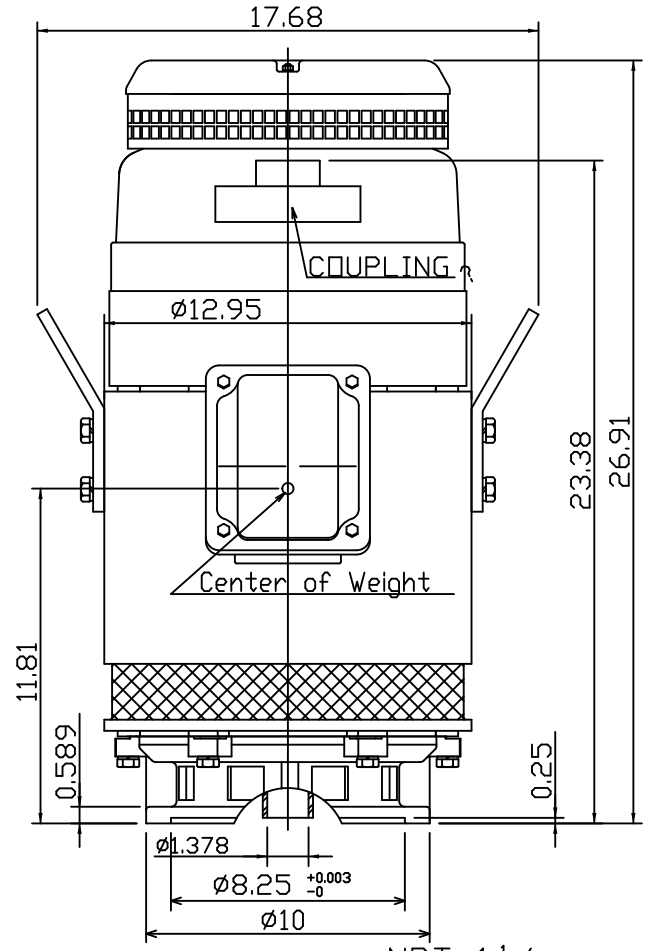
3-PHASE INDUCTION MOTOR

MOTOR TYPE:
AMRCYC
FRAME NO. 254TP

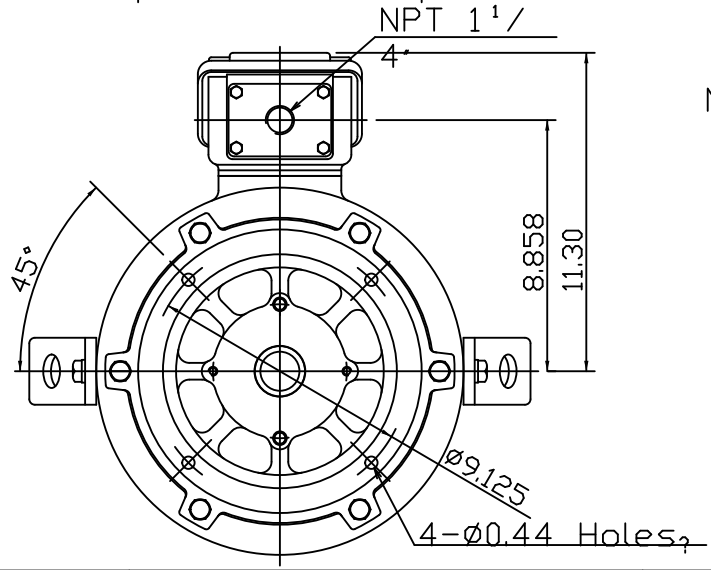
Pole	HP	kW	Hz	VOLT	Syn.Speed r/min(rpm)
4	15	11	60	230/460	1800

Ins	Rating	Dimension in	Approx Weight	Bearings
F	CONT.	inch	321 lbs	DE: 6309ZZC3 NDE: 7311B

NEMA Weather Protected TYPE I (WP I) Squirrel-cage Rotor.



Coupling Dimension



- Note:
1. Downthrust: 3350lbs
L10 - 8800 hours
 2. Rotation: C.C.W
Viewed from Top
 3. With N.R.R.
 4. Approx Reed
Frequencies: 86 Hz

12.27.08

DWN.	????????	12 15 08
CHKD.	???????	01 09 09
APPD.	????????	01 09 09



DWG NO.
31057H807091A