

Product Information Packet

November 8, 2016

Data shown is for the current revision model #. Ensure your nameplate model # matches.

Model Number:	5KS405XAA404D6
Catalog Number:	M9594
Instruction Manual:	GEI-56128
Connection Diagram:	GEM2034E-FIG1
Outline Drawing:	239C6400PZ

Accessory Connection Diagrams			
Bearing Thermocouple:	None	Heater:	None
RTD:	None	Thermistor:	None
Thermostat:	None	Winding Thermocouple:	None
Bearing RTD:	None		

Table of Contents

Specification	01
Performance Characteristics	02
Outline Drawing	03
Connection Drawing(s)	04
Spare parts	05



Marks:

MODEL NUMBER:	5KS405XAA404D6	Estimated Weight:	1440 Lbs
Outline Drawing:	239C6400PZ	Time Rating:	CONT
Connection Diagram:	GEM2034E-FIG1	Enclosure:	TEFC
Instruction Book:	GEI-56128	Encl Construction:	841
Design Code:	40BD4038B	Ambient Max(°C):	40
Type:	KS	Alt Ambient Max(°C):	--
Frame:	405T	Insulation Class:	H
Phases:	3	NEMA Design:	B
Poles:	8	Nominal Efficiency:	93.0 %
Output Power:	60HP 44.4KW	Guaranteed Efficiency:	92.4
RPM:	890	3/4 Load Efficiency:	93.4
Voltage:	575	KVA Code:	G
Hertz:	60	Max KVAR:	38.2
Amps - FL:	71.6	Power Factor:	67.5
Service Factor:	1.15	Bearing - DE:	6316ZC3S0
Alt Service Factor:	--	Bearing - ODE:	6316ZC3S0

Enclosure is Totally Enclosed Fan-Cooled

Stamped Nameplate Notes:

IEEE-STD-841-2009
 DE BRG 80BC03JP3026, ODE BRG 80BC03JP3026
 STAMP NP249A5564P051 AS BELOW:
 MODEL:5KS405XAA404D6 S/N: XXX
 CSA CERTIFIED CSA09.2216219 FOR EX NA IIC 200 C GC
 CL 1 ZONE2 AEX NA IIC 200C;CL 1 DIV2 GRP ABCD 200C
 IN -25C <= AMB <= 40C, 1.0 SF ON SINE-WAVE PWR
 SURF TEMP 230C AT 1.15SF ON SINE-WAVE PWR
 OR 200C VT OR 230C CT OR 200C CHP PWM CONTROL
 ALTERNATE RATING FOR PWM CONTROL 1.0SF 40C AMB
 VT 0 - 60 HZ, CT 15-60 HZ, CHP 60-90 HZ.

Additional Information:

8P - T EXTN
 PAINTED FRAME ID & SHAFT,
 FAN COVER INSIDE & ODE E/S OUTSIDE
 700 CU IN - 3.00" NPT
 INPRO SEAL BOTH ENDS
 OIL RESISTANT SLEEVING ON LEADS
 .0015" TIR SHAFT RUNOUT
 ROUTINE TEST REPORT AND 5 POINT VIBRATION TEST
 REPORT INCLUDED IN C/B
 COPPER WASHER UNDER HEADS OF BEARING CAP BOLTS,
 APPLY TITE-SEAL (A50CD427A) ON BEARING CAP SCREWS,
 RABBETS AND PLUG THREADS.
 GROUND PAD
 F1 MOUNTING



Performance Characteristics

1st Winding 1st Connection

Design: 40BD4038B

Marks:

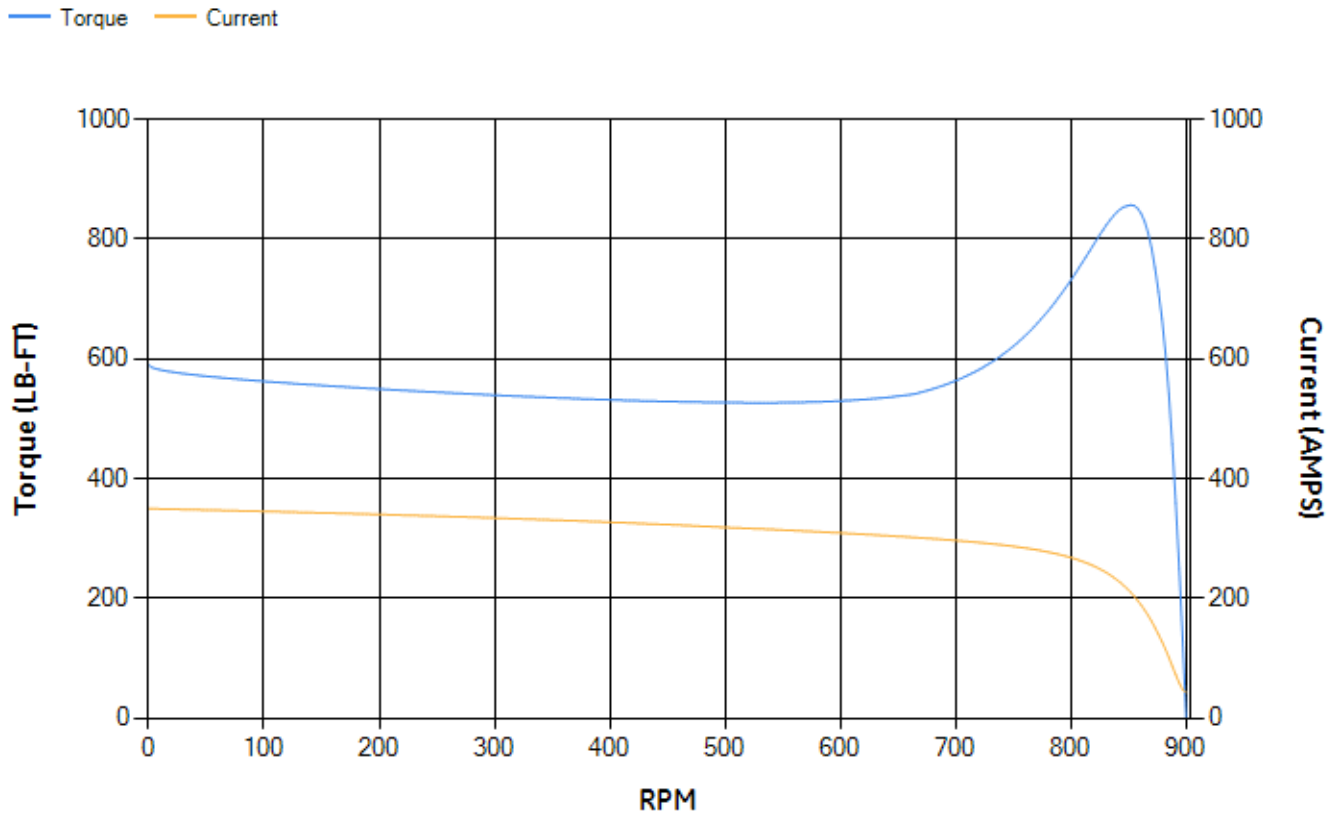
LOAD %	125.0	115.0	100.0	75.0	50.0	25.0	0.0
% EFF	92.86	93.1	93.56	93.4	92.51	88.35	0.00
% PF	71.84	70.44	67.54	59.94	47.33	28.11	2.84
AMPS	84.17	78.78	71.05	60.18	51.3	45.23	42.57

TORQ(FL)#FT	353.87	TORQ(LR)%FL	166.62	TORQ(BD)%FL	241.43
AMPS(LR)	349.62	PF AT START	0.36		

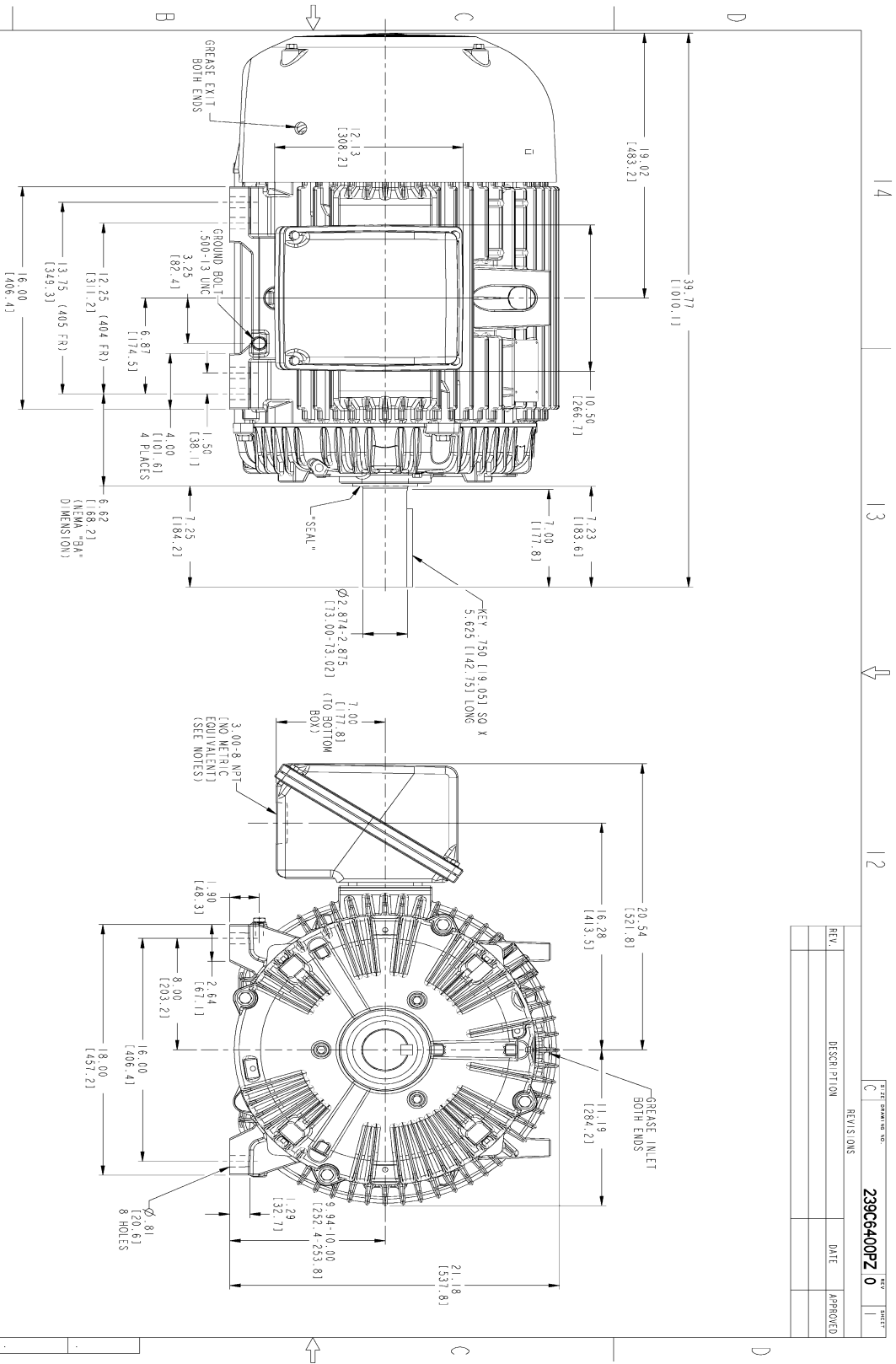
This motor is capable of two cold or one hot start with a maximum connected load inertia of 5679 Lb-Ft Sq (239.09 Kg-meter Sq)at 100% voltage, where the load torque varies with the square of the speed. Acceleration time with maximum inertia and the above load type is 36 seconds. Safe stall time at 100% voltage is 108 seconds cold, 56 seconds hot. Rotor inertia is 32.14 Lb-Ft Sq (1.35 Kg-meter Sq).

Open Circuit A-C:	0.345	Short Circuit D-C:	0.021
Short Circuit A-C:	0.038	X/R Ratio:	7.881
Stator Slots:	72	Rotor Slots:	58

Speed Torque Current Curve (First Connection, First Speed)

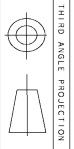


Marks:



NOTES:

1. CONDUIT BOX MAY BE PLACED WITH THE ENTRANCE DOWN, UP OR ON EITHER SIDE.
2. F-1 ASSEMBLY AS SHOWN.
3. F-2 ASSEMBLY CONDUIT BOX ON OPPOSITE SIDE.
4. BRACKETED DIMENSIONS ARE METRIC (MILLIMETERS).
5. TOLERANCE ON PERMISSIBLE SHAFT EXTENSION RUNOUT IS .0015 T.I.R.



THIRD ANGLE PROJECTION

REV.	DESCRIPTION	DATE	APPROVED

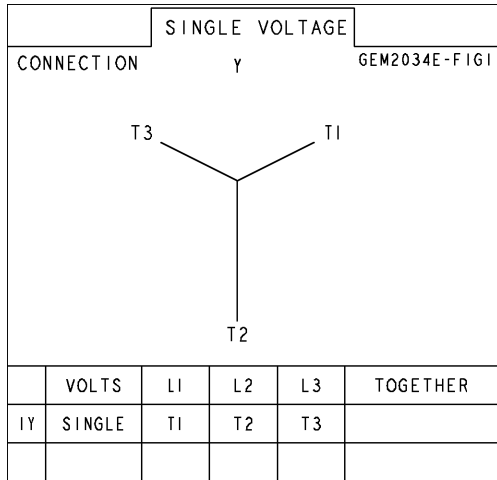
MODEL	TEKAM	DATE	6/29/15
SIGNATURES	TEKAM	DATE	6/29/15
DESIGN	YENKI	DATE	6/29/15
DRAWING	TEKAM	DATE	6/29/15
GENERAL ELECTRIC COMPANY			
OUTLINE			
404/405 T TFC XSD 841			
700 CU. IN. CONDUIT BOX			
239C6400PZ 0			
SCALE: 0.210			
REF. NO. 239C6400G6			
SHEET 1 OF 1			

14 13 12 11

DISTRIBUTION: MMP

Marks:

Connection Diagram
GEM2034E-FIG1



End shield Assembly		
Part Description	DE Side Part#	ODE Side Part#
End Shield	115E4304AA1	115E4304LL1
Bearing	235A2618AA04	235A2618AA04
Slinger/Inproseal	235A4575GS4	235A4575GS4

Fan & Fan Cover Assembly	
Part Description	Part#
Fan	159C7100G02
Fan Cover	128D6832AA1

Conduit & Accessories Box Assembly	
Part Description	Part#
Conduit Box	118D4408AD2

Mechanical Accessories	
Part Description	Part#
Brake	
Tachometer	