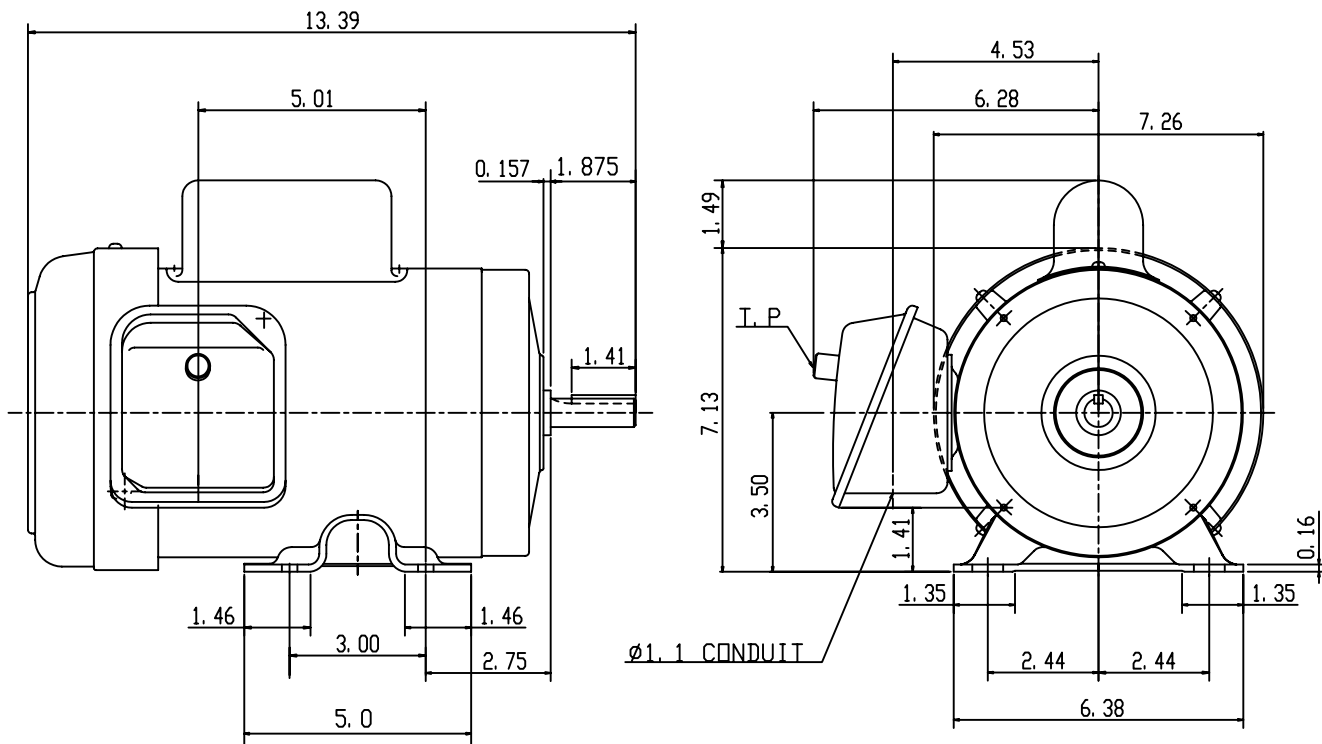


DATE February 13, 2004	OUTLINE DIMENSIONS SINGLE-PHASE INDUCTION MOTOR	MODEL TYPE: BEGCFD
CATALOG NO. S0014		FRAME NO. 56

Pole	HP	KW	Hz	VOLT	Syn. Speed R. P. M
4	1	.75	60	115/230	1800

Ins.	Rating	Dimensions in	Approx Weight	Bearings
B	CONT.	inch	38 lbs.	DE: 6205ZZ NDE: 6203ZZ

Totally Enclosed Fan-cooled Capacitor Starting Type. Squirrel Rotor.



SCALE=1:3

1					
---	--	--	--	--	--

APPD.	W. H. TSAI	03 27 03	TEC   Westinghouse	DWG NO.	31049J755
CHKD.	J. B. CHEN	03 27 03			0006
DWN.	Y. Y. CHEN	03 27 03			