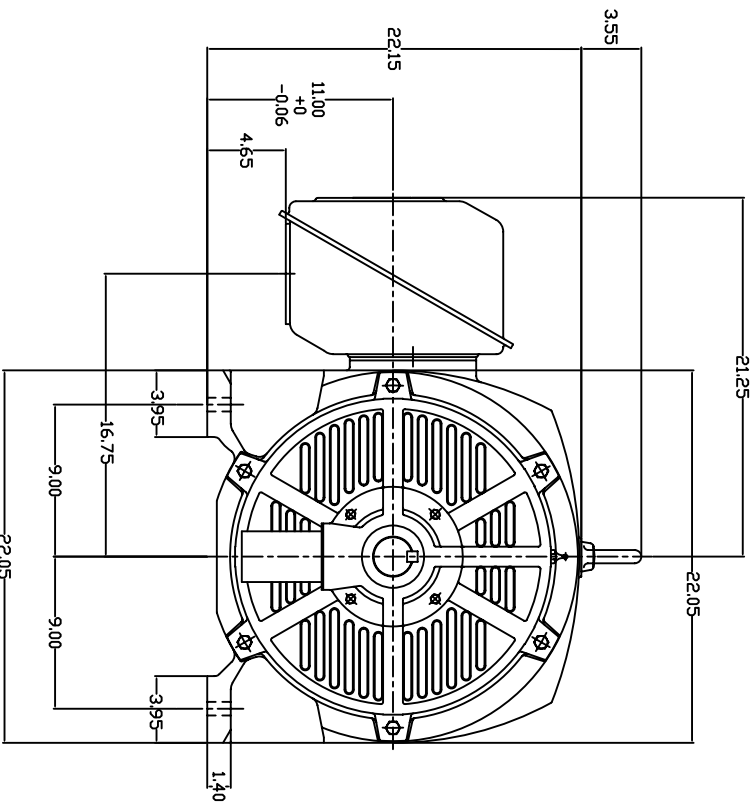
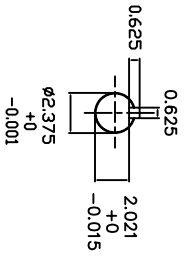
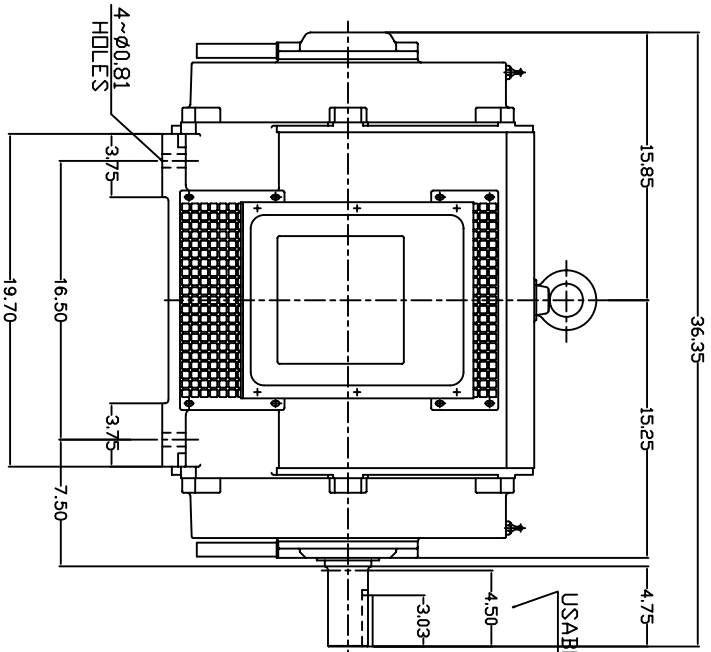


| TYPE | OUTPUT |     | POLE | TIME RATING CDNT. | VOLTAGE V | Hz | SYN SPEED R.P.M |
|------|--------|-----|------|-------------------|-----------|----|-----------------|
|      | HP.    | KW. |      |                   |           |    |                 |
| ASHH | 300    | 224 | 2    |                   | 460       | 60 | 3600            |

DRIP PROOF TYPE, SQUIRREL-CAGE ROTOR



NOTE:

1. DIMENSIONS IN INCH.
2. FRAME NO. 445TS
3. F CLASS INSULATION, S.F. 115
4. FOR DIRECT FLEXIBLE COUPLING
5. BEARING SIZE: DRIVE END: 6314C3  
NON-DRIVE END: 6314C3
6. MOTOR APPROX. WEIGHT: 1320 LBS

TB-56SC

|       |         |               |
|-------|---------|---------------|
| DWN.  | W.L.LIN | MAR. 26. 2003 |
| CHKD. | W.L.LIN | MAR. 26. 2003 |
| APPD. | C.WANG  | MAR. 26. 2003 |

|                         |                   |                    |
|-------------------------|-------------------|--------------------|
| DATE                    | February 24, 2007 | OUTLINE DIMENSIONS |
| CATALOG NO.             | DHP3002           |                    |
| 3-PHASE INDUCTION MOTOR |                   | DWG NO.            |
| TEC Westinghouse        |                   | 3A040T260-1        |
| REV: 00                 |                   |                    |