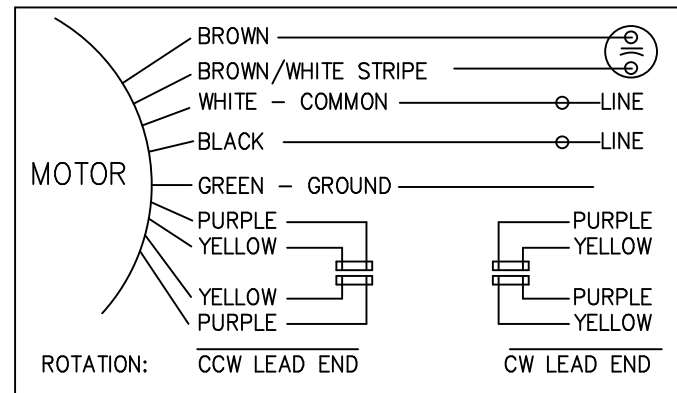


LEAD DESCRIPTION:

- 1 BLACK AND 1 WHITE LEAD WITH .50 BARE WIRE STRIP 30.00" LONG.
- 2 BROWN CAPACITOR LEADS WITH .25" FLAG QUICK CONNECTS 30.00" LONG. BROWN WITH WHITE MARK IS COMMON TO WHITE.
- REVERSING LEADS ARE MOLDED INTO MATING PULL APART PLUGS. 1 PURPLE AND 1 YELLOW PER PLUG 5.00" LONG.
- GREEN LEAD WITH TERM. FOR #10 SCREW 12.00" LONG.



DASH	FRAME	C	
375	48Y	8.06	
400	48Y	8.31	

NO.	REVISION	BY & DATE	CHK	TOLERANCES UNLESS SPECIFIED	
				DEC.	INCHES
				.X	±.1
				.XX	±.03
				.XXX	±.005
				.XXXX	±.0005
				ANG	±7'30"



TITLE	OUTLINE
MAT'L.	
FINISH	

DRAWN	GRB 05-16-2008
CHK	SP 05-16-2008
APPD	SP 05-16-2008
SCALE	3=8
REF	SS75537
FMF	
PREV	

THIS DRAWING IN DESIGN AND DETAIL IS OUR PROPERTY AND MUST NOT BE USED EXCEPT IN CONNECTION WITH OUR WORK ALL RIGHTS OF DESIGN AND INVENTION ARE RESERVED THIS IS AN ELECTRONICALLY GENERATED DOCUMENT - DO NOT SCALE THIS PRINT	RFP	CAD FILE	ss403719	SIZE	A	DRAWING NO.	SS403719	PAGE	OF	REV.
	DIST	WP								