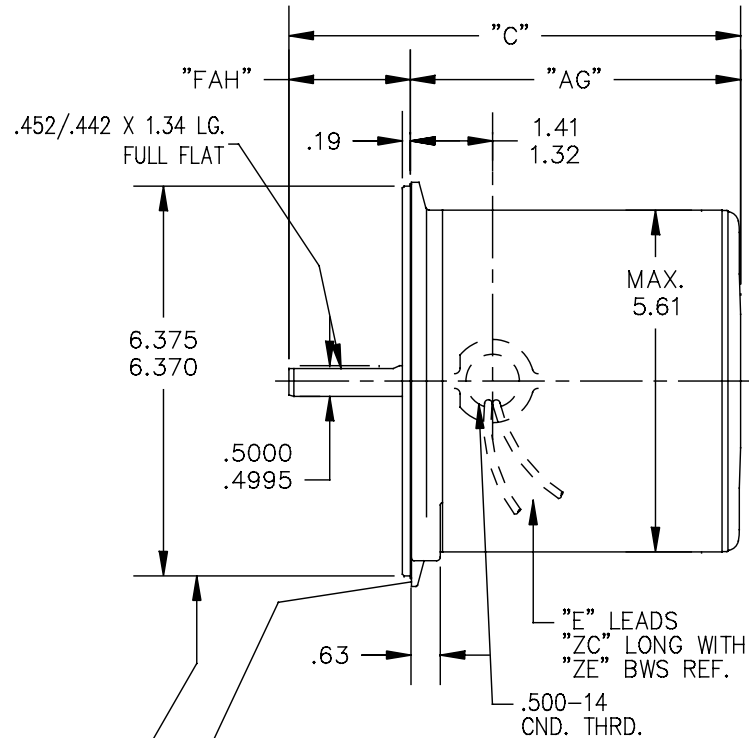


.35
.33 DIA. (2 HOLES)
THESE HOLES FIT A GAGE HAVING A RABBET 6.3755 DIA. AND 2 PINS .3309 DIA. LOCATED ON THE BASIC HOLE POSITIONS.

ECCENTRICITY OF THIS SURFACE (WITH INDICATOR MOUNTED STATIONARY RELATIVE TO SHAFT) MUST NOT EXCEED .006 T.I.R.



FACE RUNOUT (WITH INDICATOR MOUNTED STATIONARY RELATIVE TO SHAFT) MUST NOT EXCEED .006 T.I.R.

1	KH	39	48N	7.67	5.58	2	22/20	.69	2.09/1.97		4.63
1	KH	33	48N	8.45	6.36	2	22/20	.69	2.09/1.97		5.410
P	TYPE	RBC SIZE	NEMA FR.	"C"	"AG"	"E"	"ZC"	"ZE"	"FAH"		MIN.

				TOLERANCES UNLESS SPECIFIED		REGAL-BELOIT CORPORATION				DRAWN BS 08/19/11	
				DEC.	INCHES	TITLE OUTLINE FORM "N" - OIL BURNER MOTOR - TWO LUGS FLANGE MOUNTED				CHK	
				.X	±0.1					APPD PVK 08/19/11	
				.XX	±0.02					SCALE 1=1	
				.XXX	±0.005					REF	
1	P2 ADDED PER INTERNAL SAMPLE 15-4496		PVK 01/12/15	PVK	.XXXX	±0.0005	MAT'L.		FMF		
NO.	REVISION		BY & DATE	CHK	ANG	±1.0	FINISH		PREV		
THIS DRAWING IN DESIGN AND DETAIL IS OUR PROPERTY AND MUST NOT BE USED EXCEPT IN CONNECTION WITH OUR WORK ALL RIGHTS OF DESIGN AND INVENTION ARE RESERVED THIS IS AN ELECTRONICALLY GENERATED DOCUMENT - DO NOT SCALE THIS PRINT				RFP	CAD FILE			52A113116	SIZE	DRAWING NO.	
				DIST		A		52A113116		REV.	1