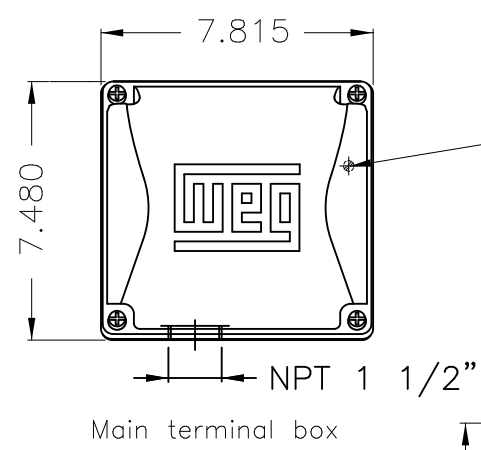
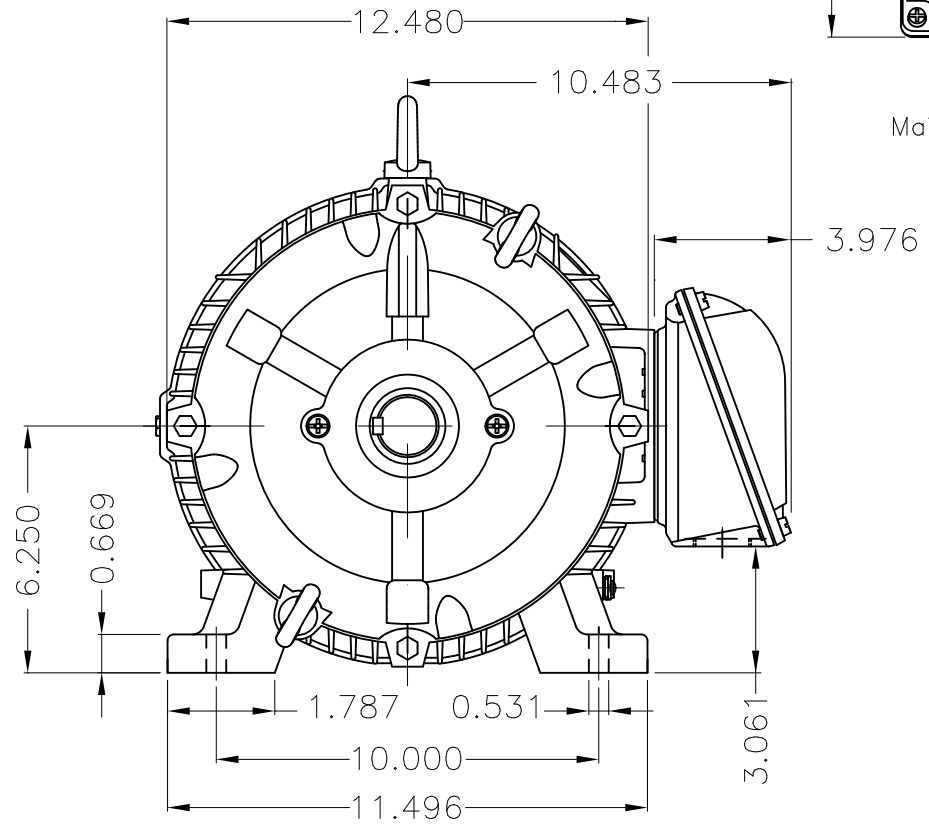
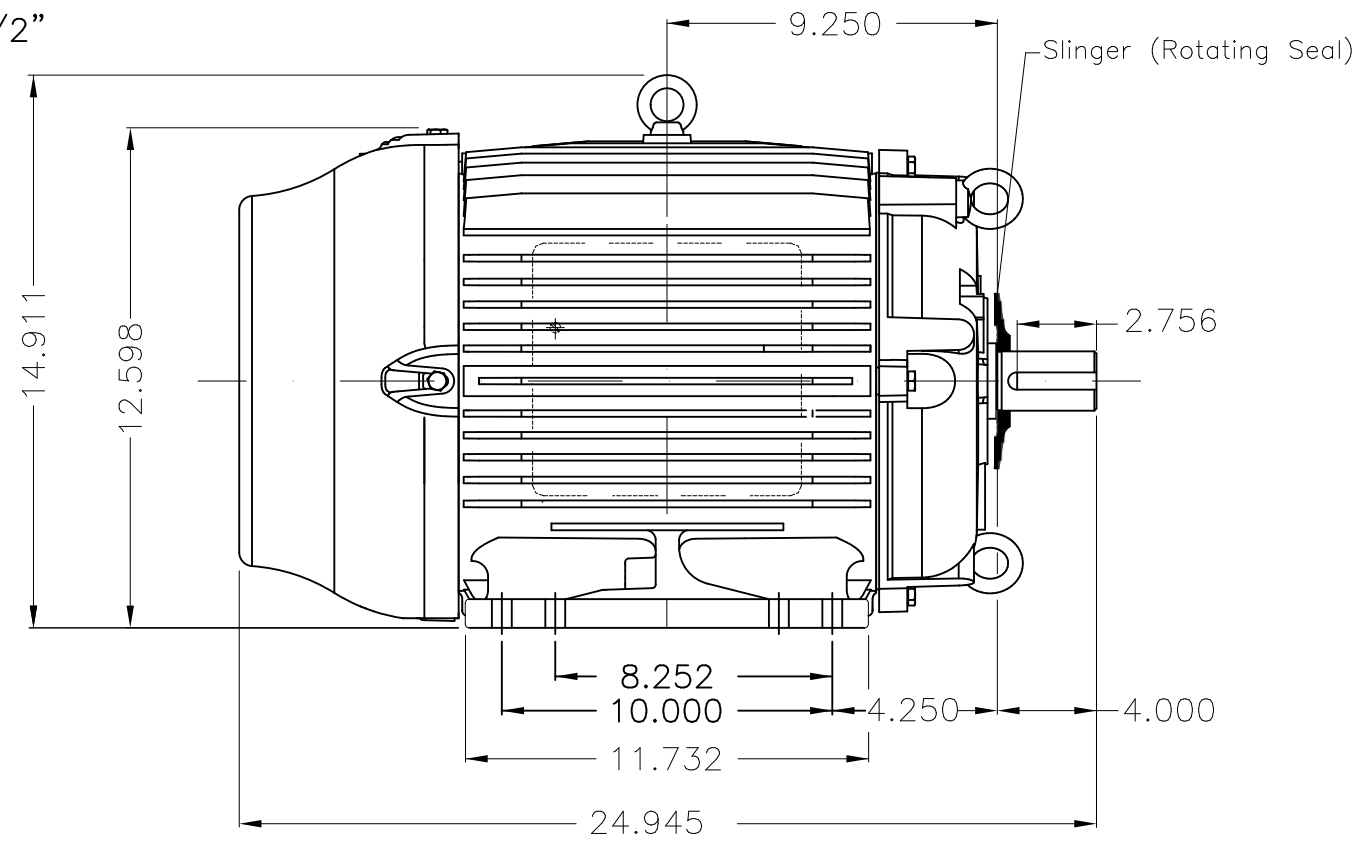


Dimensões em polegada
Dimensions in inches

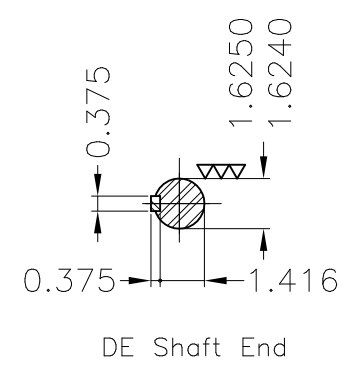
THIS IS AN UPDATED REVISION, THE
PREVIOUS ONE MUST BE DISREGARDED.



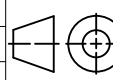
Grounding for leads 5.2–25 mm² / 10–4 AWG



Slinger (Rotating Seal)



Color RAL 5009
Painting plan 202E
Mounting B3L(E)

ECM	LOC	SUMMARY OF MODIFICATIONS			EXECUTED	CHECKED	RELEASED	DATE	VER
EXECUTED	USERADMIN	 THREE PH W22 MOTOR COOLING TOWER NEMA EF FRAME 254/6T IP55 TEFC WEG code: 12096031							
CHECKED									
RELEASED									
REL DT	24.07.2017	WMO	Jaragua do Sul	Product Engineering	SHEET	1 / 1			

10 HP 06 Poles 60Hz

