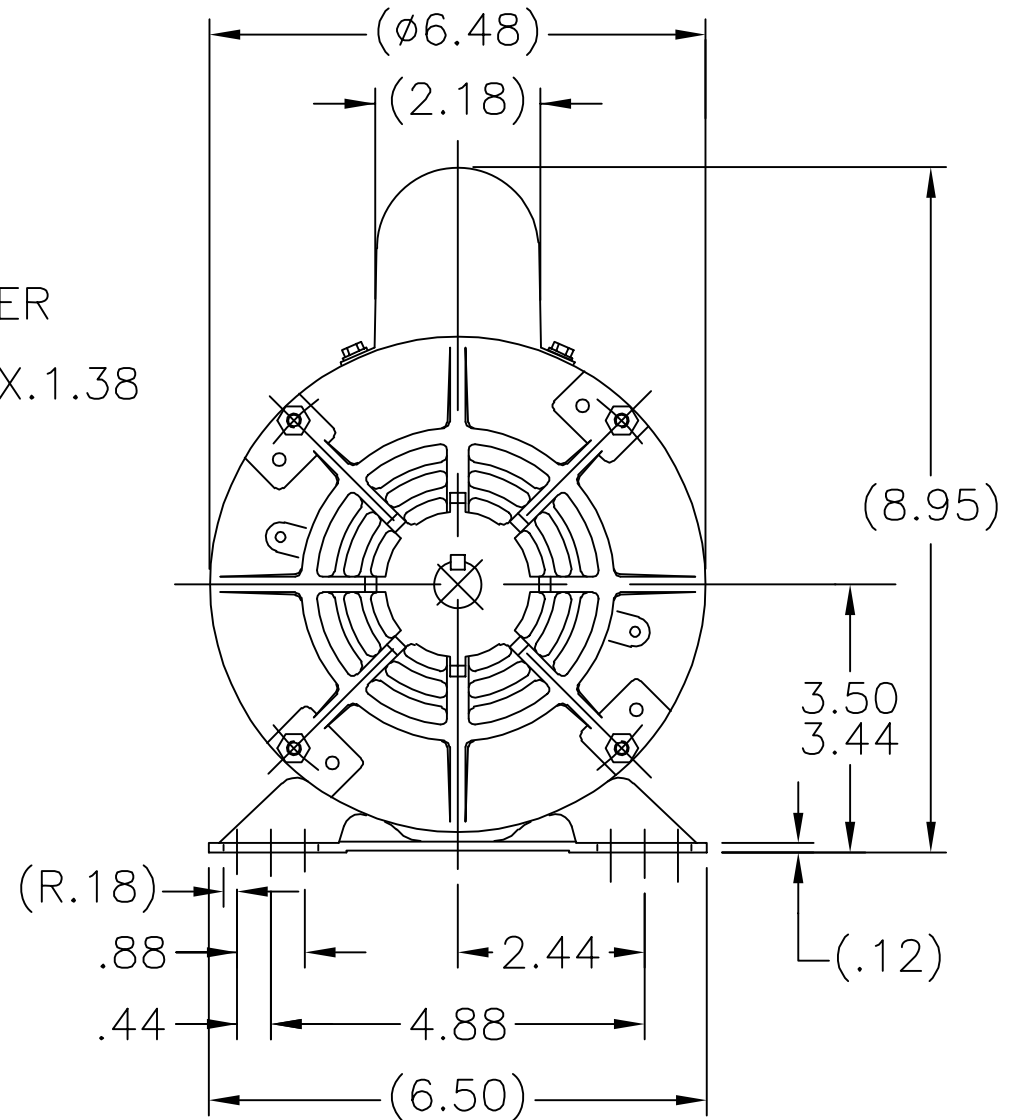
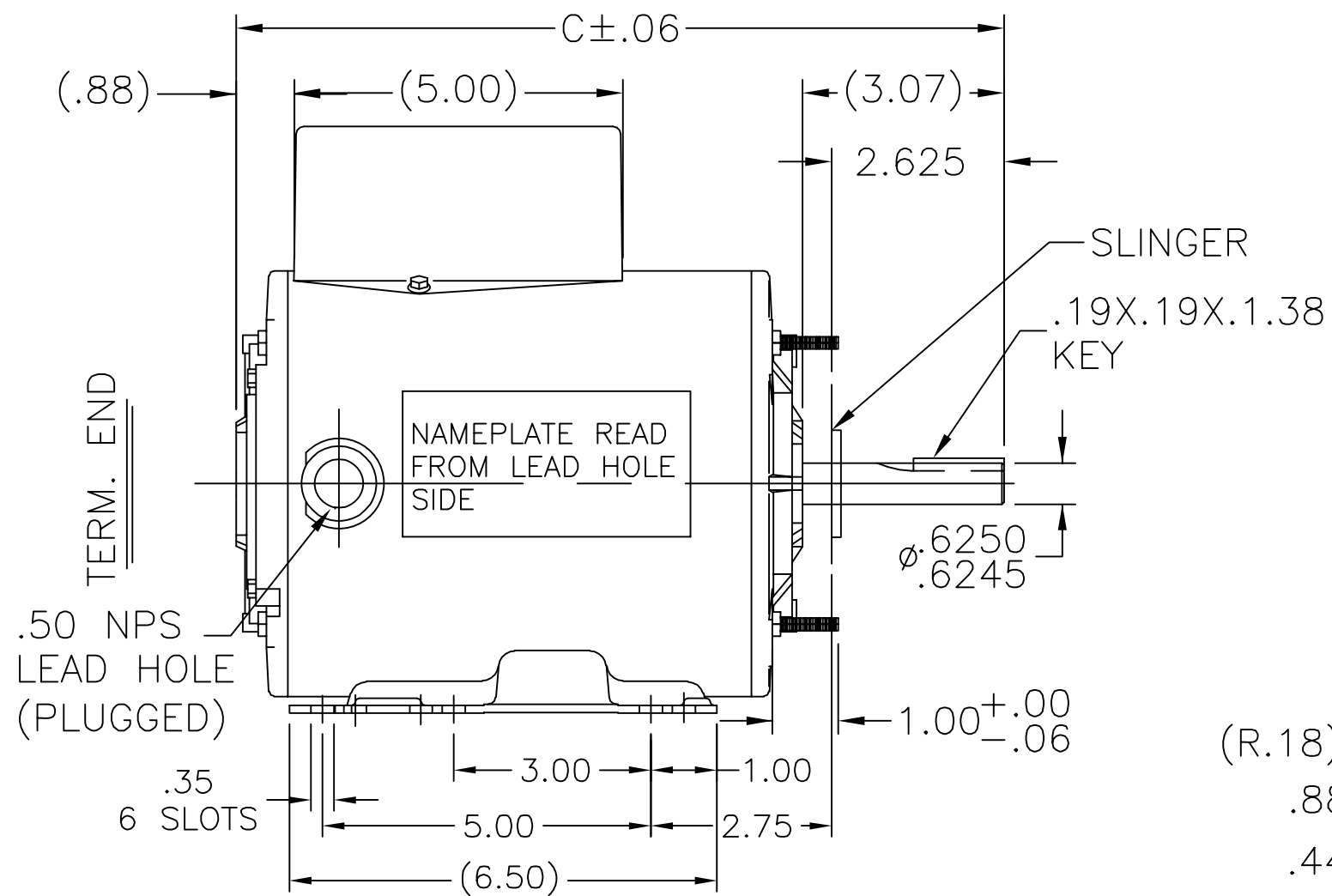


108161



DASH	C	DASH	C
606	10.69	806	12.69
656	11.19	856	13.19
706	11.69	906	13.69
756	12.19	956	14.19

NO.	REVISION	BY & DATE	CHK	TOLERANCES UNLESS SPECIFIED		LEESON	ELECTRIC MOTORS GEARMOTORS AND DRIVES	DRAWN KR 02/19/2014
				DEC.	INCHES			
				.X	±.1			CHK VS 02/19/2014
				.XX	±.03			APPD
				.XXX	±.005	TITLE OUTLINE		SCALE 1:1
				.XXXX	±.0005	56 FR. - TE - BB		REF 105882LN
				ANG	±7'30"	MAT'L.		FMF A099847.00
						FINISH		PREV
			RFP			CAD FILE 108161	SIZE A	DRAWING NO. 108161
			DIST WP					PAGE OF REV. A

THIS DRAWING IN DESIGN AND DETAIL IS OUR PROPERTY AND MUST NOT BE USED EXCEPT IN CONNECTION WITH OUR WORK ALL RIGHTS OF DESIGN AND INVENTION ARE RESERVED THIS IS AN ELECTRONICALLY GENERATED DOCUMENT - DO NOT SCALE THIS PRINT