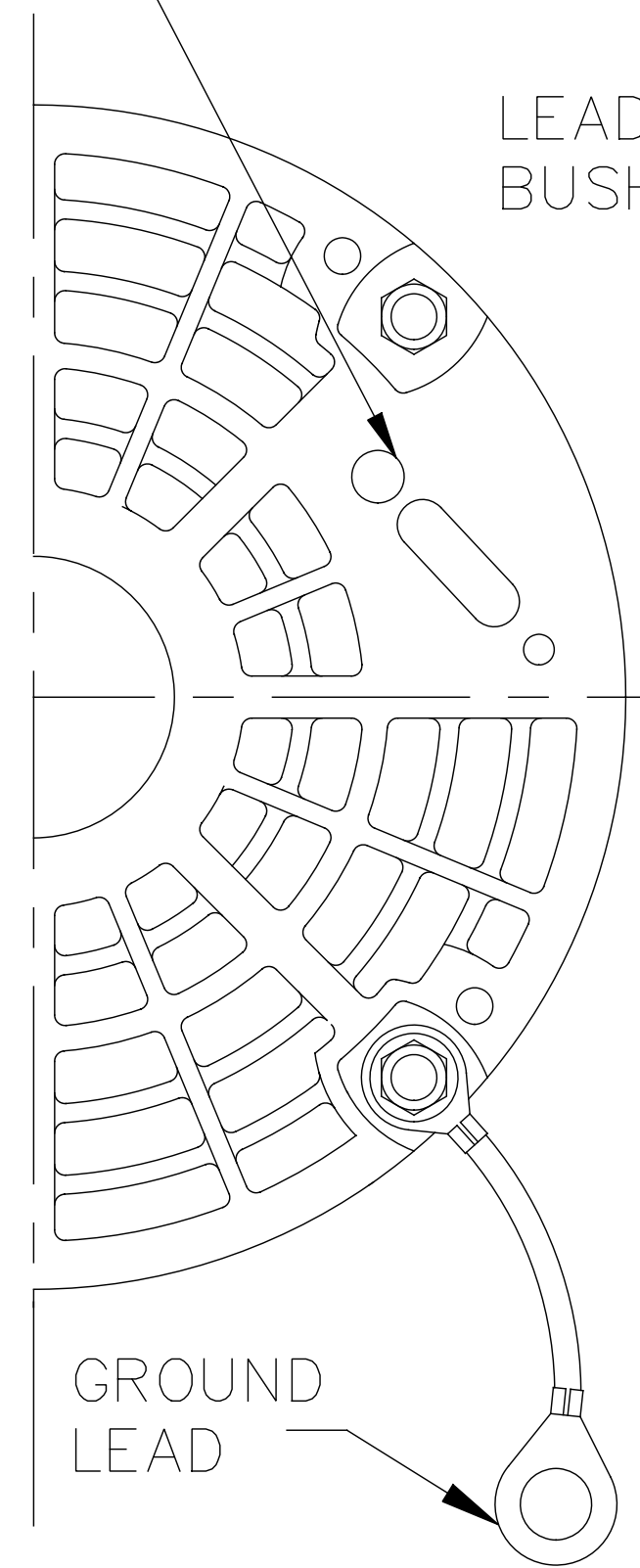


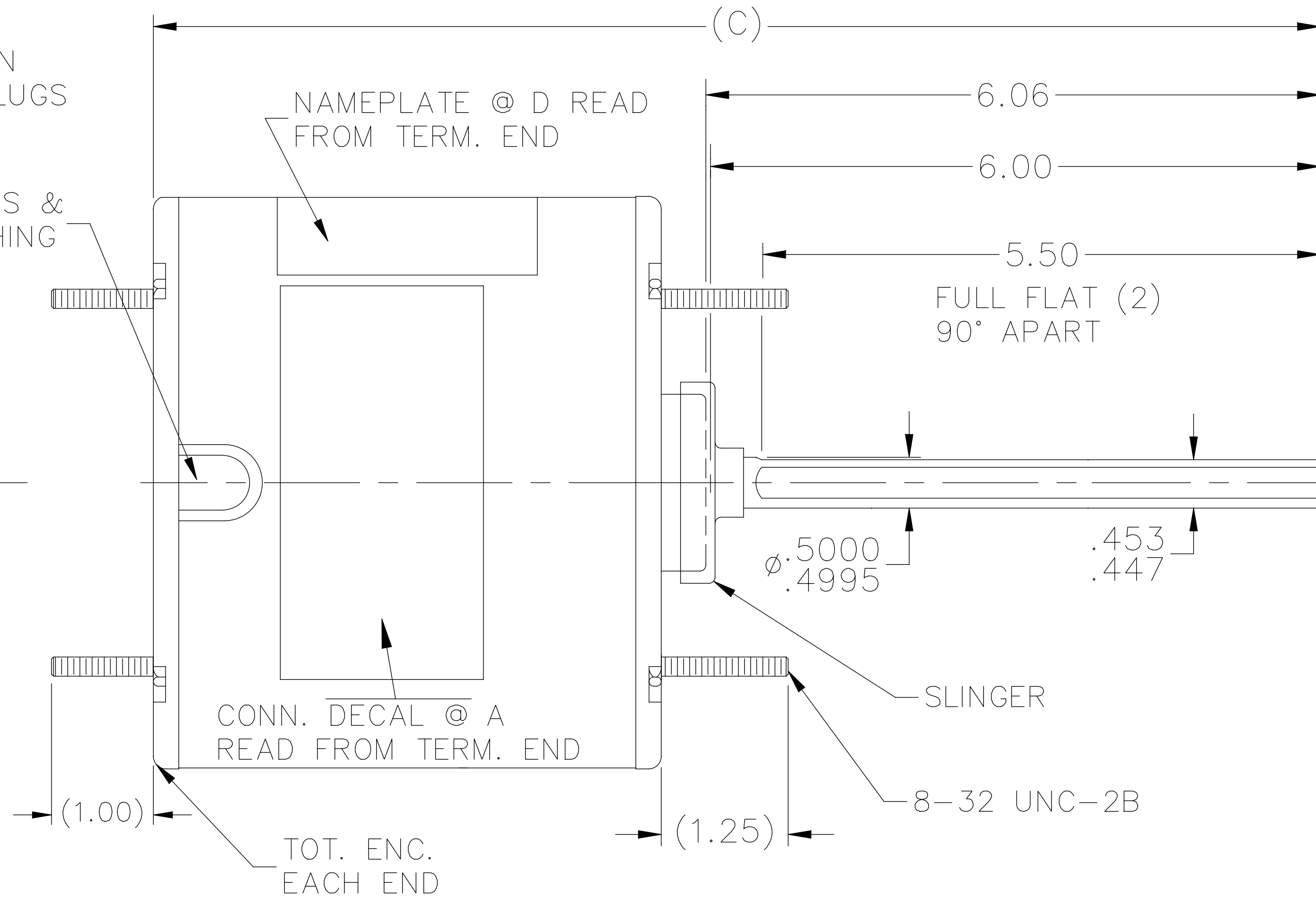
SS400323

TERM. END

.185 DIA. DRAIN HOLES WITH PLUGS EACH END



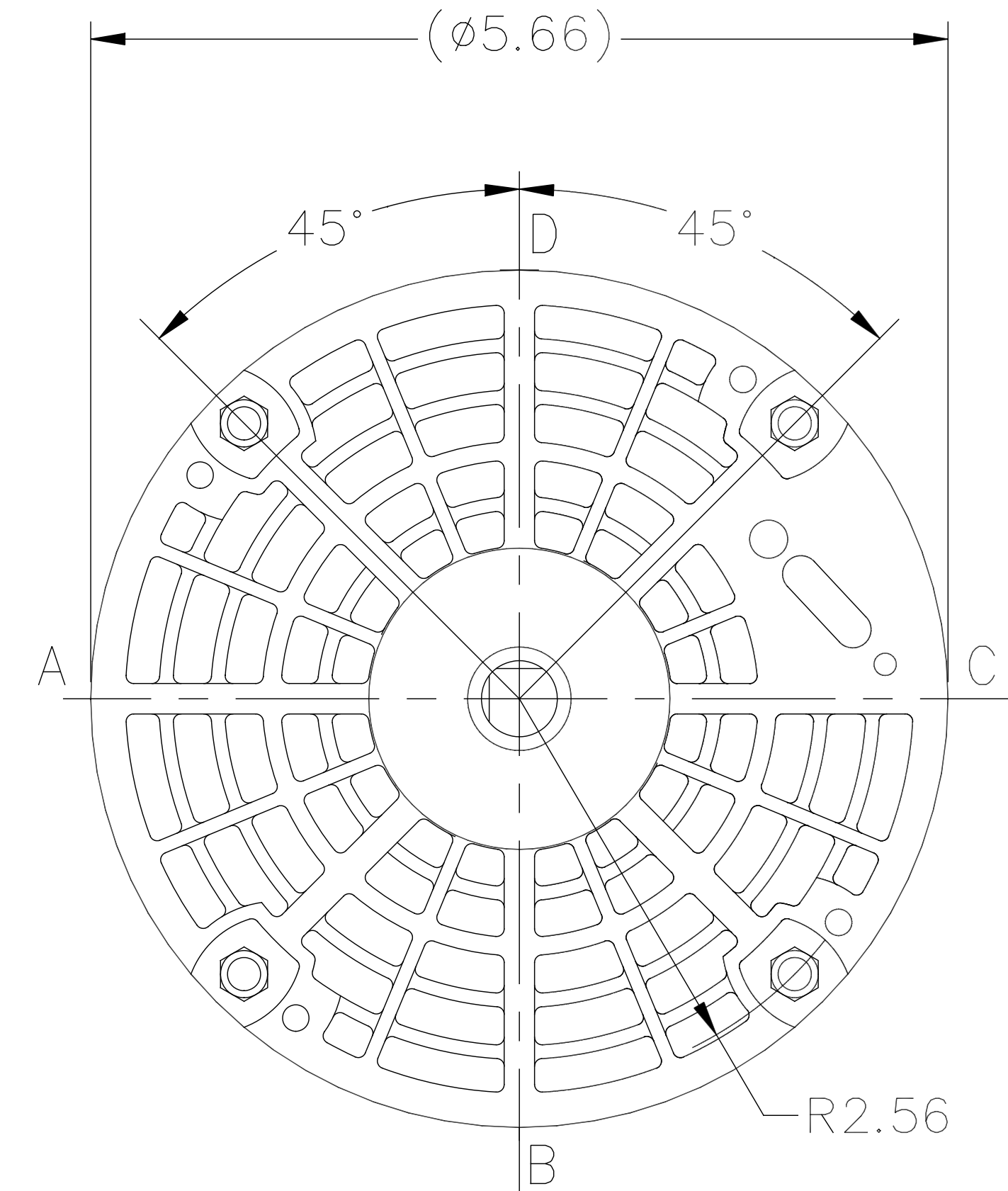
LEADS & BUSHING



FULL FLAT (2) 90° APART

∅ .5000
.4995

.453
.447



DASH	FRAME	C
350	48Y	10.50
400	48Y	11.00
450	48Y	11.50
500	48Y	12.00
525	48Y	12.25

LEAD DESCRIPTION::

1 WHITE, 1 BLACK 30.00" LONG WITH .50 B.W.S.

1 BROWN & 1 BROWN/WHITE 30.00" LONG WITH .25 FLAG TYPE QUICK CONNECT

1 GREEN GROUND LEAD 12.00" LONG WITH TERM FOR #10 SCREW

PURPLE & YELLOW REVERSING LEADS ARE MOLDED INTO MATING PULL APART PLUGS 5.00" LONG

BROWN/WHITE — CAP.

BROWN — COMMON — L1

WHITE — COMMON — L1

BLACK — L2

GREEN — GROUND

PURPLE — PURPLE

YELLOW — YELLOW

PURPLE — PURPLE

YELLOW — YELLOW

OPTIONAL 3 WIRE CONNECTION

BROWN/WHITE — (INSULATE)

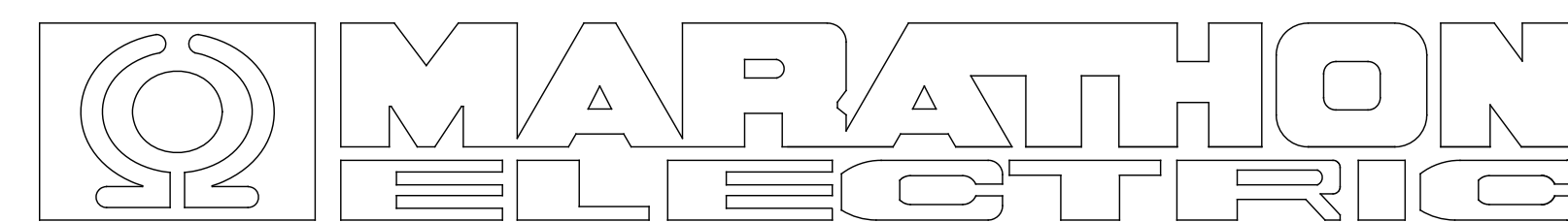
BROWN — CAP.

WHITE — L1

ROTATION: CCW LEAD END

CW LEAD END

NO.	REVISION	BY & DATE	CHK	TOLERANCES UNLESS SPECIFIED		FINISH
				DEC.	INCHES	
4	ADDED NEW DASH CONDITION-525	AP 3/20/2017		.X	±.1	
3	REDRAWN IN AUTOCAD	TAT 07-22-2004	ML	.XX	±.03	
2	CONN. DIA. ROTATION CHANGED CN 29400-523	NJS 05-15-2001		.XXX	±.005	
1	NEW DRAWING MU14781	MH 04-28-1997		.XXXX	±.0005	



TITLE OUTLINE
48 FR.

DRAWN MH 04-25-1997

CHK ML 04-28-1997

APPD RJS 04-28-1997

SCALE 7=16

REF

FMF

PREV

THIS DRAWING IN DESIGN AND DETAIL IS OUR PROPERTY AND MUST NOT BE USED EXCEPT IN CONNECTION WITH OUR WORK ALL RIGHTS OF DESIGN AND INVENTION ARE RESERVED THIS IS AN ELECTRONICALLY GENERATED DOCUMENT - DO NOT SCALE THIS PRINT

RFP
DIST WP

CAD FILE ss400323

SIZE	DRAWING NO.	PAGE	OF	REV.
A	SS400323			4