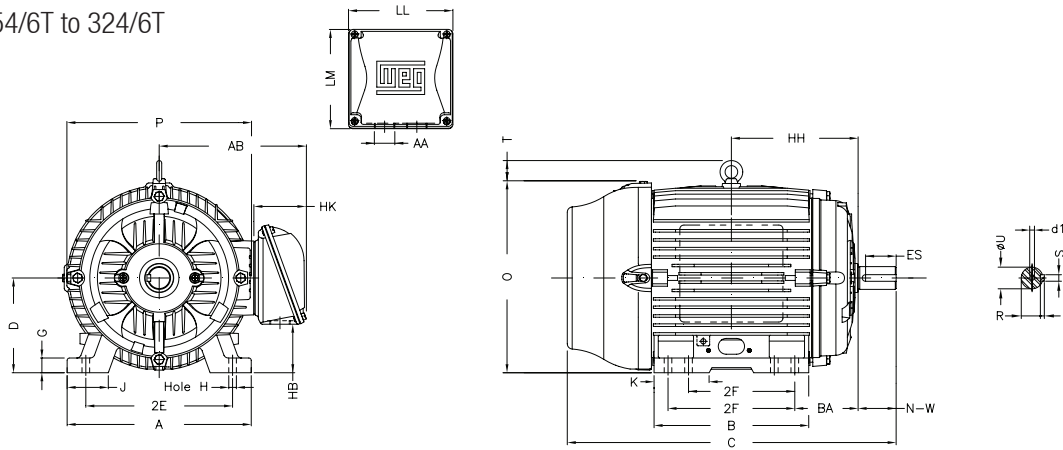


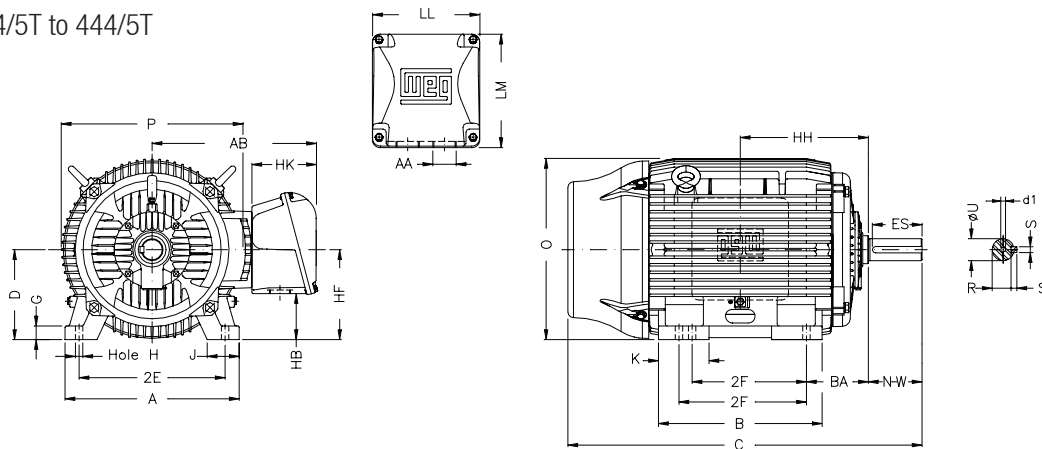
# W22 Oil Well Pumping Motors - Triple Rated

## TEFC - Mechanical Data

Frames 254/6T to 324/6T



Frames 364/5T to 444/5T



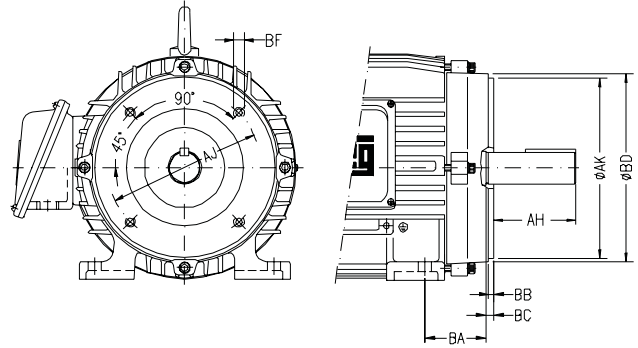
NEMA Frames	MOUNTING				A	B	C	D	G	J	O	K	P	T	KEYWAY			SHAFT EXTENSION		
	2E	2F	H	BA											S	R	ES	N-W	U	
254/6T	10.000	10.000	0.531	4.250	12.126	11.732	24.945	6.250	0.827	2.539	12.598	2.559	12.953	2.087	0.375	1.406	2.756	4.000	1.625	
284/6T	11.000	11.000		4.750	13.780	13.071	27.929	7.000	1.023	3.110	14.067	2.874	14.173		0.500	1.594	3.149	4.622	1.875	
324/6T	12.500	12.000	0.657	5.250	15.157	14.567	31.116	8.000	1.300	3.189	15.953	3.189	15.827		2.441	1.844	3.937	5.250	2.125	
364/5T	14.016	11.260 12.244	0.660	5.875	17.165	16.220	34.251	9.000	1.480	3.150	17.716	4.921	17.914	-	0.625	2.019	4.330	5.874	2.375	
404/5T	15.984	12.244 13.740	0.810	6.625	19.921	18.386	39.730	10.000	1.811	3.937	19.566	5.669	19.134		0.750	2.449	5.512	7.250	2.875	
444/5T	18.000	14.500 16.500		7.500	21.929	20.315	45.193	11.000	1.630			22.795	5.866		23.583	0.875	2.880	7.087	8.500	3.375

NEMA Frames	TERMINAL BOX									d1	BEARINGS	
	AB	HB	HF	HG	HH	HK	LL	LM	AA		D.E.	N.D.E
254/6T	10.394	3.061	6.565		9.250	3.937	7.795	7.402	NPT 1/2"	A 4	6309 C3	6209 C3
284/6T	10.984	3.535	7.000		10.250		8.976	8.543	NPT 2"		6311 C3	6211 C3
324/6T	12.480	4.811	8.708		11.250		9.646	10.119	NPT 3"		6312 C3	6212 C3
364/5T	16.378	4.055	-		12.362	6.378	9.646	10.119	2xNPT 3"	UNC 3/4"-10	6314 C3	6314 C3
404/5T		5.040			14.213							
444/5T		5.394			15.748							

# W22 Oil Well Pumping Motors - Triple Rated

## TEFC - Mechanical Data

"C" FLANGE DIMENSIONS									
NEMA FRAMES	BA	AJ	AK	BD	BF		BB	BC	AH
					NUMBER	TAP SIZE			
254/6TC	4.250	7.250	8.500	8.875	4	UNC 1/2"x13	0.250	0.250	3.750
284/6TC	4.750	9.000	10.500	11.031					4.375
324/6TC	5.250			13.583					5.000
364/5TC	5.875	11.000	12.500	15.551	8	UNC 5/8"x11	0.250	0.250	5.625
404/5TC	6.625								7.000
444/5TC	7.500	14.000	16.000	17.913					8.250



"D" FLANGE DIMENSIONS							
NEMA FRAMES	BA	AJ	AK	BD	BF		BB
					NUMBER	TAP SIZE	
254/6TD	4.250	12.500	11.000	14.000	4	0.828	0.203
284/6TD	4.750						
324/6TD	5.250						
364/5TD	5.875	16.000	14.000	17.716	8	0.828	0.203
404/5TD	6.625	20.000	18.000	22.000			
444/5TD	7.500			21.653			

