

# Product Information Packet

November 9, 2016

Data shown is for the current revision model #. Ensure your nameplate model # matches.

<b>Model Number:</b>	<b>5KS364LAA118D3</b>
<b>Catalog Number:</b>	<b>M7909</b>
<b>Instruction Manual:</b>	GEI-56128
<b>Connection Diagram:</b>	GEM2034E-FIG7
<b>Outline Drawing:</b>	239CC200AB

Accessory Connection Diagrams			
<b>Bearing Thermocouple:</b>	None	<b>Heater:</b>	None
<b>RTD:</b>	None	<b>Thermistor:</b>	None
<b>Thermostat:</b>	None	<b>Winding Thermocouple:</b>	None
<b>Bearing RTD:</b>	None		

## Table of Contents

Specification	01
Performance Characteristics	02
Outline Drawing	03
Connection Drawing(s)	04
Spare parts	05



**Marks:**

<b>MODEL NUMBER:</b>	<b>5KS364LAA118D3</b>	<b>Estimated Weight:</b>	950 Lbs
<b>Outline Drawing:</b>	239CC200AB	<b>Time Rating:</b>	CONT
<b>Connection Diagram:</b>	GEM2034E-FIG7	<b>Enclosure:</b>	TEFC
<b>Instruction Book:</b>	GEI-56128	<b>Encl Construction:</b>	SD
<b>Design Code:</b>	36BD0115A	<b>Ambient Max(°C):</b>	40
<b>Type:</b>	KS	<b>Alt Ambient Max(°C):</b>	--
<b>Frame:</b>	364TS	<b>Insulation Class:</b>	F
<b>Phases:</b>	3	<b>NEMA Design:</b>	A
<b>Poles:</b>	2	<b>Nominal Efficiency:</b>	94.1 %
<b>Output Power:</b>	60HP 44.4KW	<b>Guaranteed Efficiency:</b>	93.0
<b>RPM:</b>	3575	<b>3/4 Load Efficiency:</b>	94.4
<b>Voltage:</b>	460	<b>KVA Code:</b>	G
<b>Hertz:</b>	60	<b>Max KVAR:</b>	22.2
<b>Amps - FL:</b>	72.3	<b>Power Factor:</b>	82.5
<b>Service Factor:</b>	1.15	<b>Bearing - DE:</b>	6314ZC3
<b>Alt Service Factor:</b>	--	<b>Bearing - ODE:</b>	6314ZC3

**Enclosure is Totally Enclosed Fan-Cooled**

---

**Stamped Nameplate Notes:**

INVERTER DUTY PER NEMA MG1 PART 31  
 ALTERNATE RATING FOR PWM CONTROL:1.0SF 40C AMBIENT  
 VAR TORQUE RANGE 0-60 HZ

**Additional Information:**

2P - TS EXTN  
 346 CU IN - 3.00" NPT  
 OIL RESISTANT SLEEVING ON LEADS  
 F1 MOUNTING  
 VIBRATION LIMIT 0.15 INCH PER SEC  
 TEFC SD STOCK 10/19/2016  
 ENGINEERED BY: BALASUBRAMANIANH/BILURP

**Performance Characteristics**

1st Winding 1st Connection

**Design: 36BD0115A**

**Marks:**

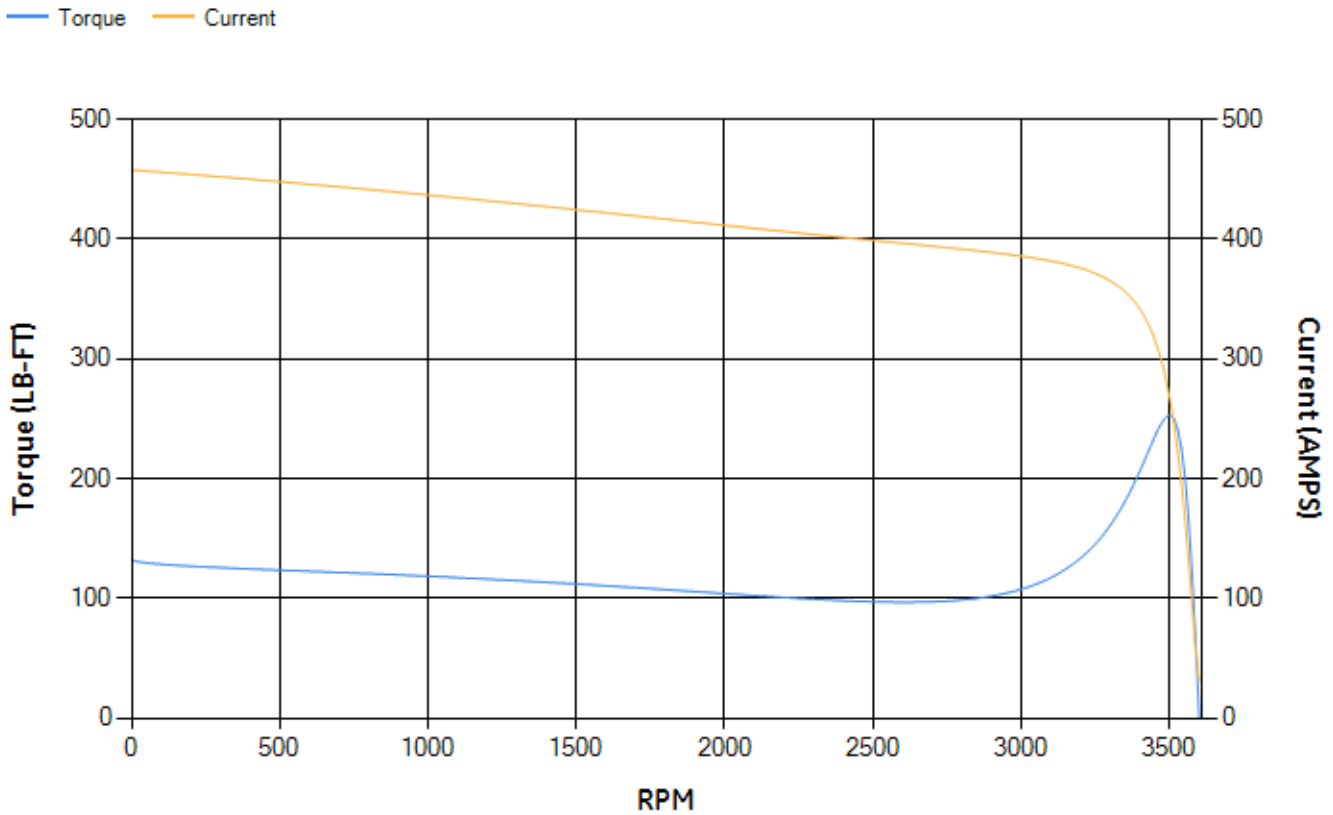
LOAD %	125.0	115.0	100.0	75.0	50.0	25.0	0.0
% EFF	94.21	94.36	94.7	94.44	93.57	89.81	0.00
% PF	84.75	84.03	82.4	77.34	66.65	44.1	4.37
AMPS	87.92	81.45	71.82	57.66	45.03	35.45	30.95

<b>TORQ(FL)#FT</b>	88.09	<b>TORQ(LR)%FL</b>	150.39	<b>TORQ(BD)%FL</b>	286.58
<b>AMPS(LR)</b>	457.71	<b>PF AT START</b>	0.3		

This motor is capable of two cold or one hot start with a maximum connected load inertia of 153 Lb-Ft Sq (6.44 Kg-meter Sq)at 100% voltage, where the load torque varies with the square of the speed. Acceleration time with maximum inertia and the above load type is 21 seconds. Safe stall time at 100% voltage is 45 seconds cold, 25 seconds hot. Rotor inertia is 6.44 Lb-Ft Sq (0.27 Kg-meter Sq).

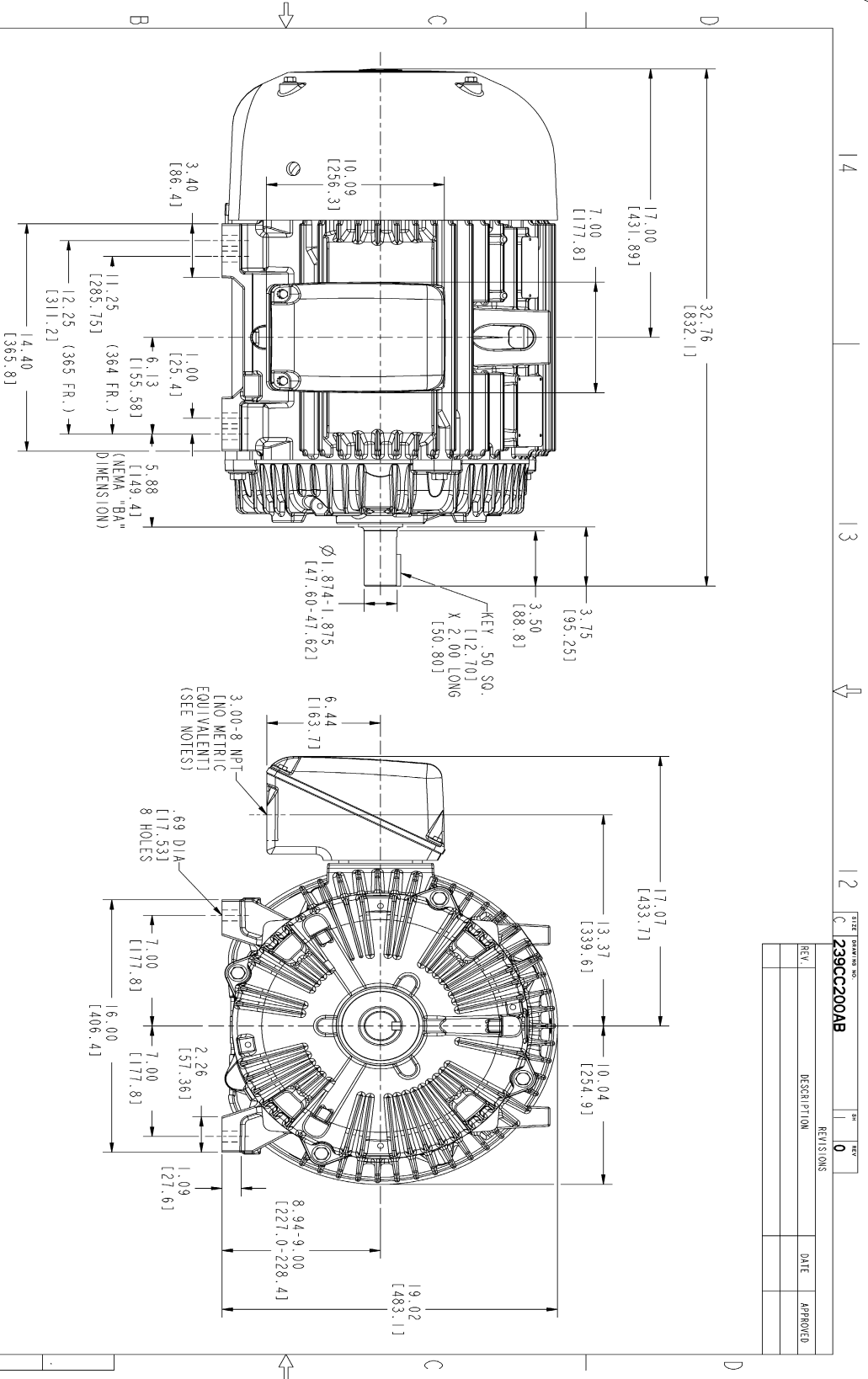
<b>Open Circuit A-C:</b>	0.863	<b>Short Circuit D-C:</b>	0.023
<b>Short Circuit A-C:</b>	0.055	<b>X/R Ratio:</b>	8.626
<b>Stator Slots:</b>	48	<b>Rotor Slots:</b>	38

**Speed Torque Current Curve (First Connection, First Speed)**



NAME:501352727 OBJECT:239CC200AB DATE:31-Jul-07 12:18:23

Marks:



NOTES :

1. CONDUIT BOX MAY BE PLACED WITH THE ENTRANCE DOWN, UP OR ON EITHER SIDE.
2. F-1 ASM AS SHOWN.
3. F-2 ASM-HAS CONDUIT BOX ON OPPOSITE SIDE.
4. BRACKETED DIMENSIONS ARE METRIC (MILLIMETERS).

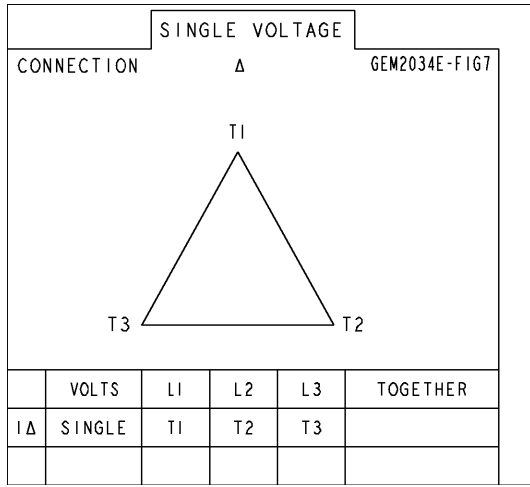
REV.	DESCRIPTION	DATE	APPROVED

SIGNATURES	DATE	 <b>GE Industrial Systems</b> GENERAL ELECTRIC COMPANY Fort Wayne, Indiana
DESIGNED	01/26/07	
DRAWN	01/26/07	<b>OUTLINE</b> 364/365 TS TFC ESP 346 CU. IN. CONDUIT BOX
CHECKED	01/26/07	
ISSUED	01/26/07	SIZED DRAWING <b>239CC200AB</b>
APPLIED PRACTICES		
SCALE: 0.250	REF. NO:	SHEET OF 1 REV: 0

DISTRIBUTION:

Marks:

**Connection Diagram**  
**GEM2034E-FIG7**



End shield Assembly		
Part Description	DE Side Part#	ODE Side Part#
End Shield	115E4250AA1	115E4250LK1
Bearing	235A2616AA01	235A2616AA01
Slinger/Inproseal	149C4399G05	149C4399G05

Fan & Fan Cover Assembly	
Part Description	Part#
Fan	159C6700G02
Fan Cover	128D6810AA1

Conduit & Accessories Box Assembly	
Part Description	Part#
Conduit Box	149C4429AA2

Mechanical Accessories	
Part Description	Part#
Brake	
Tachometer	