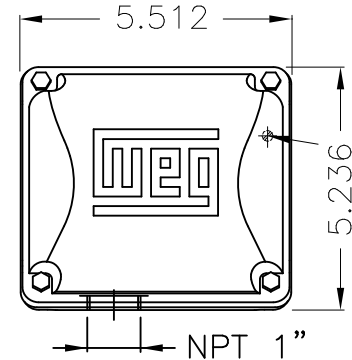
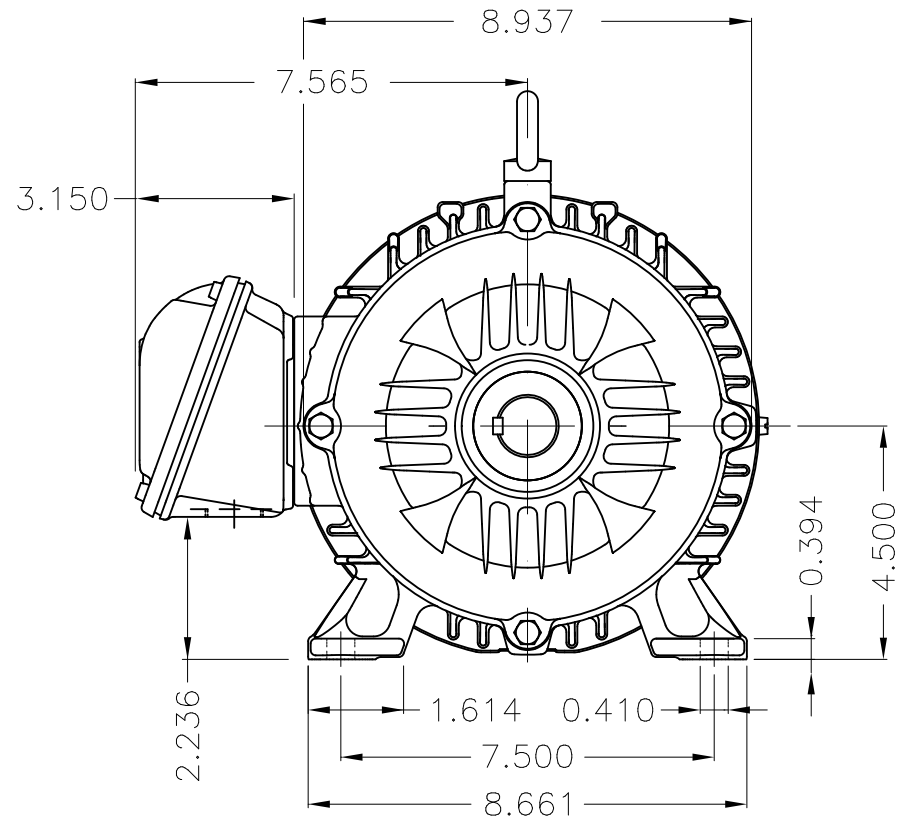
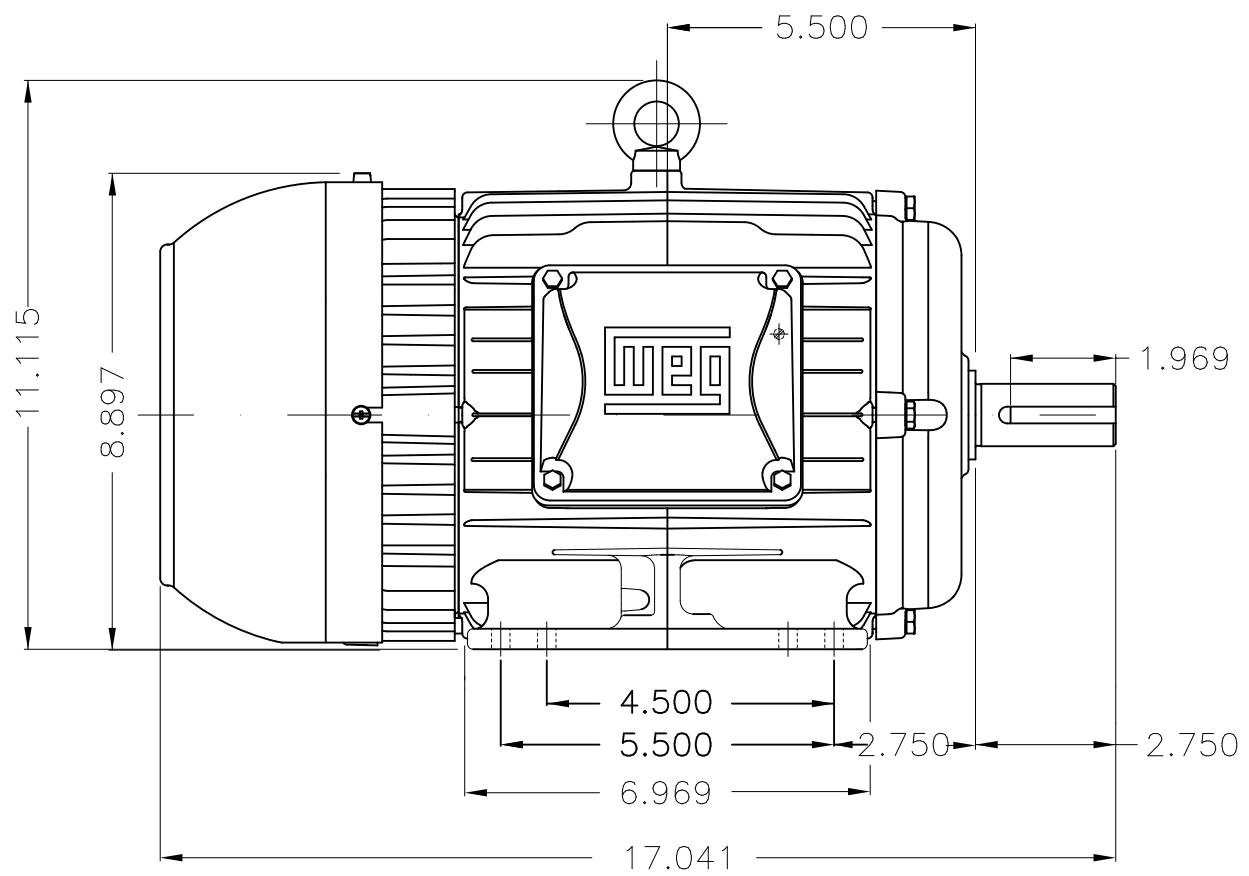


Dimensões em polegada  
Dimensions in inches

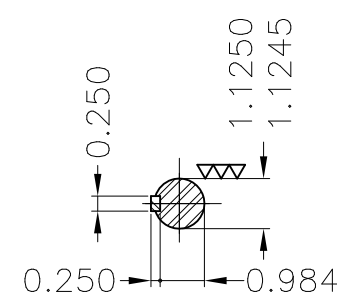
THIS IS AN UPDATED REVISION, THE  
PREVIOUS ONE MUST BE DISREGARDED.



Main terminal box

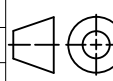


Grounding for leads 2-10 mm<sup>2</sup> / 14-7 AWG



DE Shaft End

Color RAL 6002  
Painting plan 207A  
Mounting B3R(D)

| ECM      | LOC        | SUMMARY OF MODIFICATIONS  |   |                     | EXECUTED | CHECKED | RELEASED | DATE | VER |
|----------|------------|---|---|---------------------|----------|---------|----------|------|-----|
| EXECUTED | USERADMIN  |  | THREE PHASE W22 MOTOR-SUPER PREMIUM EFF |                     |          |         |          |      |     |
| CHECKED  |            |   | FRAME L182/4T IP55 TEFC                 |                     |          |         |          |      |     |
| RELEASED |            |   | WEG code: 11715187                      |                     |          |         |          |      |     |
| REL DT   | 24.07.2017 | WMO   | Jaragua do Sul                          | Product Engineering | SHEET    | 1 / 1   |          |      |     |

5 HP 04 Poles 60Hz

A

