

Product Information Packet

November 8, 2016

Data shown is for the current revision model #. Ensure your nameplate model # matches.

Model Number:	5KS364LAA308D3
Catalog Number:	M7953
Instruction Manual:	GEI-56128
Connection Diagram:	GEM2034E-FIG1
Outline Drawing:	239CC200AA

Accessory Connection Diagrams			
Bearing Thermocouple:	None	Heater:	None
RTD:	None	Thermistor:	None
Thermostat:	None	Winding Thermocouple:	None
Bearing RTD:	None		

Table of Contents

Specification	01
Performance Characteristics	02
Outline Drawing	03
Connection Drawing(s)	04
Spare parts	05



Marks:

MODEL NUMBER:	5KS364LAA308D3	Estimated Weight:	970 Lbs
Outline Drawing:	239CC200AA	Time Rating:	CONT
Connection Diagram:	GEM2034E-FIG1	Enclosure:	TEFC
Instruction Book:	GEI-56128	Encl Construction:	SD
Design Code:	36BD3068A	Ambient Max(°C):	40
Type:	KS	Alt Ambient Max(°C):	--
Frame:	364T	Insulation Class:	F
Phases:	3	NEMA Design:	A
Poles:	6	Nominal Efficiency:	94.1 %
Output Power:	40HP 29.6KW	Guaranteed Efficiency:	93.0
RPM:	1190	3/4 Load Efficiency:	94.2
Voltage:	460	KVA Code:	G
Hertz:	60	Max KVAR:	17.6
Amps - FL:	50.4	Power Factor:	79.0
Service Factor:	1.15	Bearing - DE:	6314ZC3
Alt Service Factor:	--	Bearing - ODE:	6314ZC3

Enclosure is Totally Enclosed Fan-Cooled

Stamped Nameplate Notes:

INVERTER DUTY PER NEMA MG1 PART 31
 ALTERNATE RATING FOR PWM CONTROL:1.0SF 40C AMBIENT
 VAR TORQUE RANGE 0-60 HZ

Additional Information:

6P - T EXTN
 3/4" CU IN - 3.00" NPT
 OIL RESISTANT SLEEVING ON LEADS
 F1 MOUNTING
 VIBRATION LIMIT 0.15 INCH PER SEC

Performance Characteristics

1st Winding 1st Connection

Design: 36BD3068A

Marks:

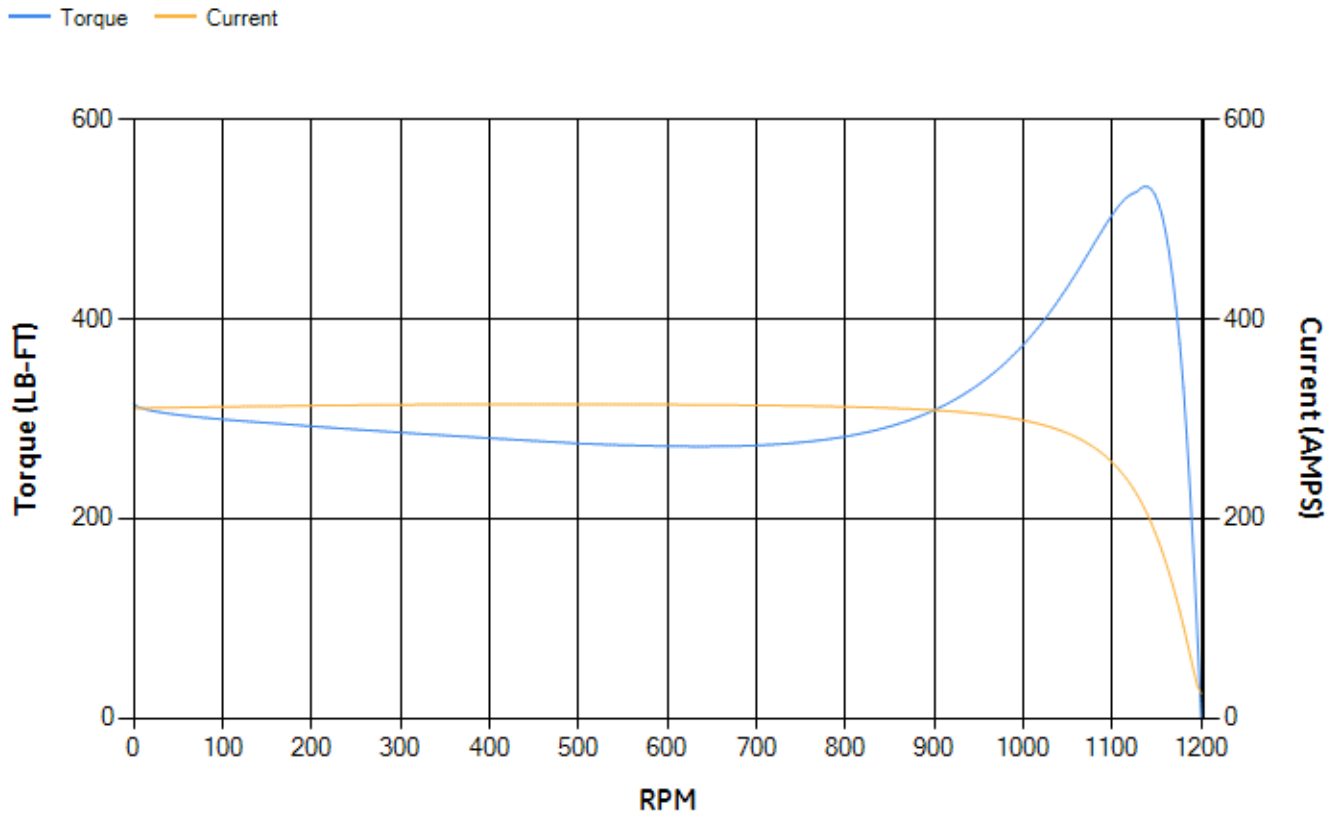
LOAD %	125.0	115.0	100.0	75.0	50.0	25.0	0.0
% EFF	93.47	93.7	94.18	94.15	93.56	90.24	0.00
% PF	82.31	81.22	78.94	72.54	60.4	38.01	3.35
AMPS	60.83	56.57	50.25	41.11	33.12	27.29	24.55

TORQ(FL)#FT	176.83	TORQ(LR)%FL	178.57	TORQ(BD)%FL	297.19
AMPS(LR)	310.35	PF AT START	0.38		

This motor is capable of two cold or one hot start with a maximum connected load inertia of 3303 Lb-Ft Sq (139.06 Kg-meter Sq)at 100% voltage, where the load torque varies with the square of the speed. Acceleration time with maximum inertia and the above load type is 50 seconds. Safe stall time at 100% voltage is 104 seconds cold, 64 seconds hot. Rotor inertia is 18.01 Lb-Ft Sq (0.76 Kg-meter Sq).

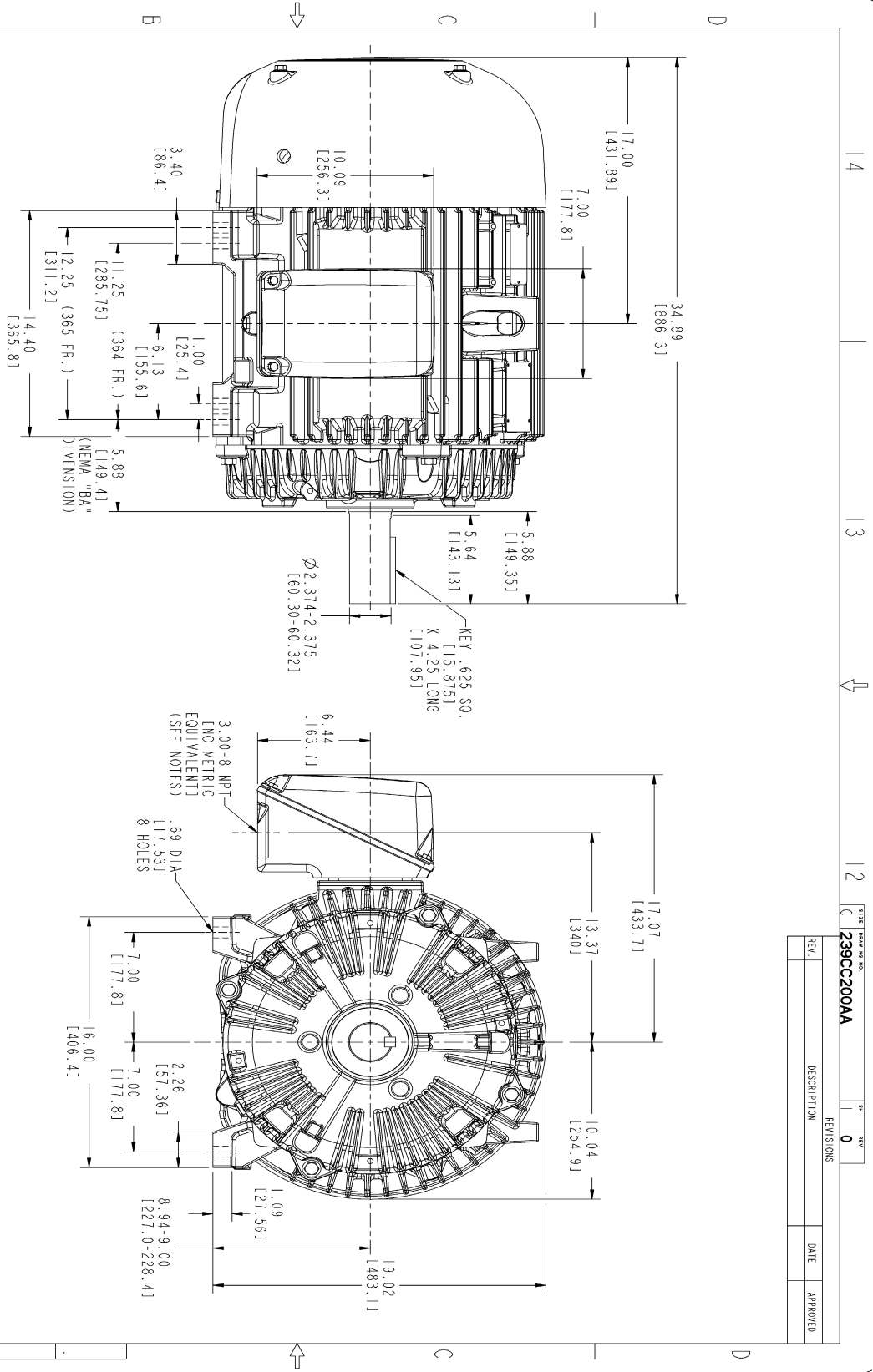
Open Circuit A-C:	0.476	Short Circuit D-C:	0.015
Short Circuit A-C:	0.028	X/R Ratio:	5.808
Stator Slots:	72	Rotor Slots:	58

Speed Torque Current Curve (First Connection, First Speed)



NAME:501352727 OBJECT:239CC200AA DATE:31-Jul-07 10:42:09

Marks:

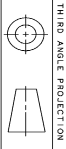


NOTES :

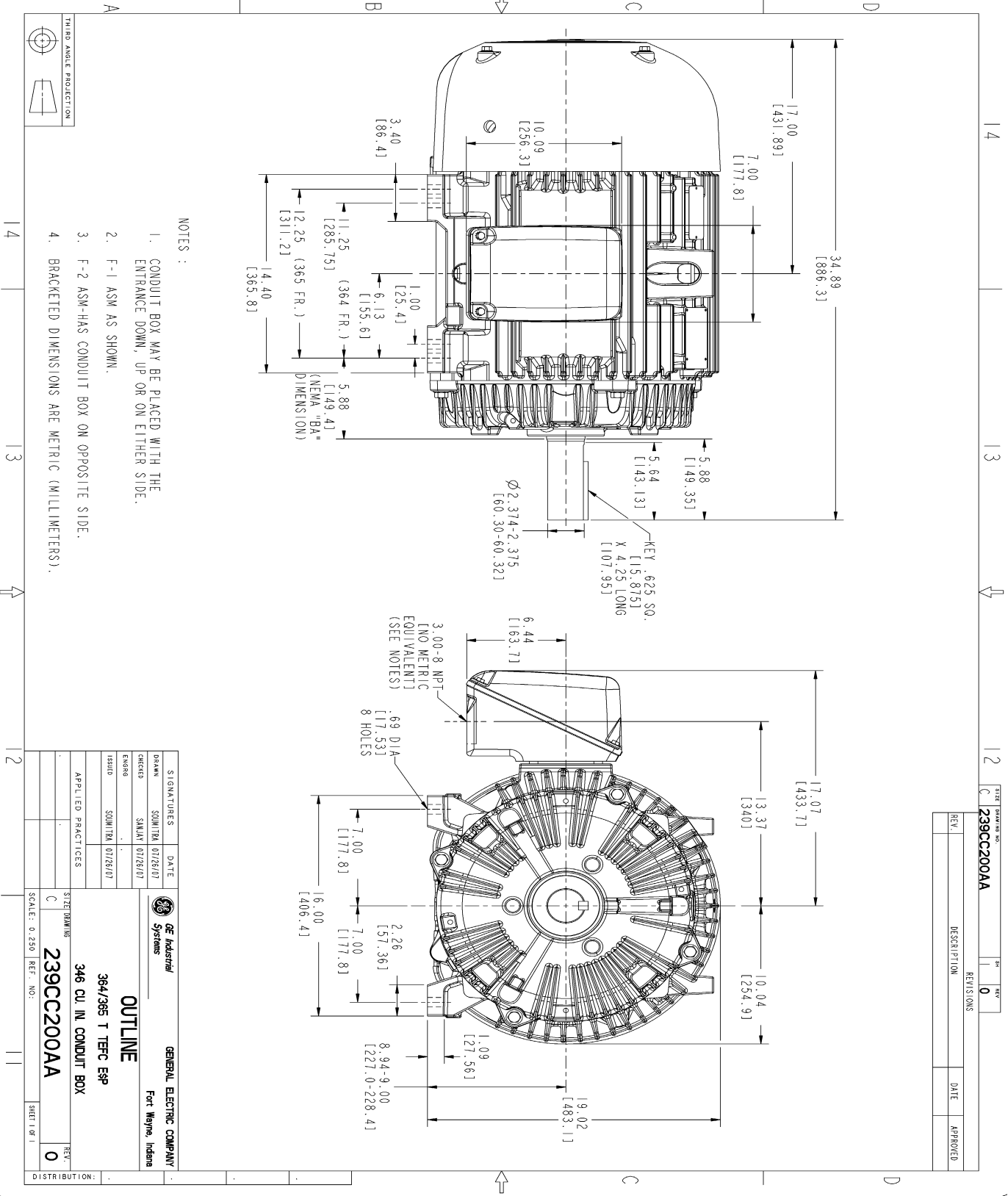
1. CONDUIT BOX MAY BE PLACED WITH THE ENTRANCE DOWN, UP OR ON EITHER SIDE.
2. F-1 ASM AS SHOWN.
3. F-2 ASM-HAS CONDUIT BOX ON OPPOSITE SIDE.
4. BRACKETED DIMENSIONS ARE METRIC (MILLIMETERS).

REV.	DESCRIPTION	DATE	APPROVED

STAMPS	DATE	GENERAL ELECTRIC COMPANY Fort Wayne, Indiana
DRAWN SQUITTA 01/26/07		
CHECKED SALAN 01/26/07		
ENGINEER		
ISSUED SQUITTA 01/26/07		
APPLIED PRACTICES		
SIZING		
SCALE: 0.250	REF. NO:	
OUTLINE		
364/365 T TFC ESP		
346 CU. IN. CONDUIT BOX		
239CC200AA		
SHEET 1 OF 1	REV. 0	



THIRD ANGLE PROJECTION



Marks:

Connection Diagram
GEM2034E-FIG1



End shield Assembly		
Part Description	DE Side Part#	ODE Side Part#
End Shield	115E4250AA1	115E4250LK1
Bearing	235A2616AA01	235A2616AA01
Slinger/Inproseal	149C4399G05	149C4399G05

Fan & Fan Cover Assembly	
Part Description	Part#
Fan	159C7100G01
Fan Cover	128D6810AA1

Conduit & Accessories Box Assembly	
Part Description	Part#
Conduit Box	149C4429AA2

Mechanical Accessories	
Part Description	Part#
Brake	
Tachometer	