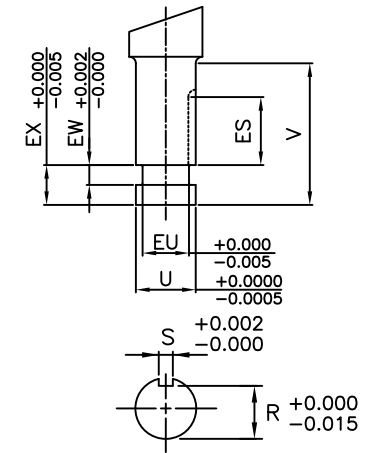
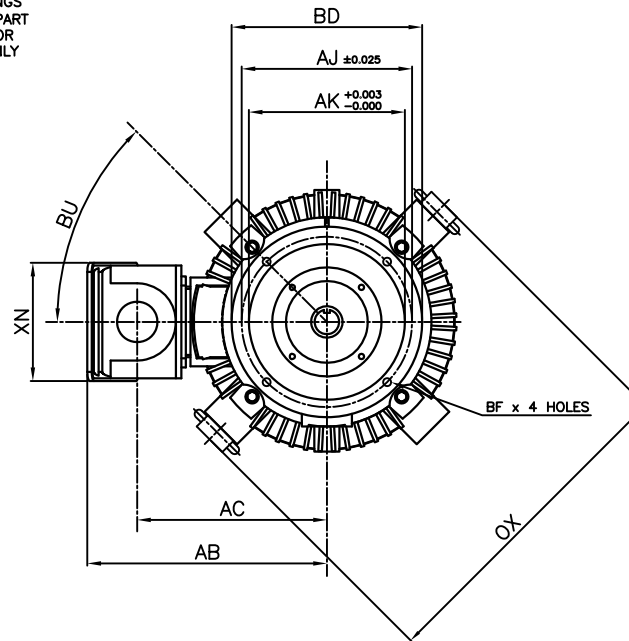


NOTE:
LIFTING RINGS
(2) 180° APART
FOR MOTOR
LIFTING ONLY



- NOTES:
1. DIMENSION V REPRESENTS LENGTH OF STRAIGHT PART OF SHAFT
 2. MAIN CONDUIT BOX MAY BE ROTATED IN 90° INCREMENTS
 3. KEY DIMENSIONS EQUAL S x S x ES (MOTOR SUPPLIED WITH KEY)
 4. MOTOR WEIGHT SHOWN IS MAXIMUM HORSEPOWER IN FRAME
 5. STANDARD PRODUCT USE BI-DIRECTIONAL FAN. OPPOSITE ROTATION AVAILABLE ONLY BY CONNECTION CHANGE

UNITS: INCHES

| FRAME SIZE | MOTOR DIMENSIONS | | | | | P-FLANGE DIMENSIONS | | | | | | | | SHAFT EXTENSION DIMENSIONS | | | | | | | | | |
|------------|------------------|------|------|------|-----|---------------------|-----|------|------|------|-------|-------|------|----------------------------|-------|------|-------|-------|------|-------|------|--|--|
| | AG | C | P | OX | BU | BB | BE | BF | BD | BV | AK | AJ | AH | EU | U | V | R | S | ES | EW | EX | | |
| 440HP16 | 58.3 | 62.8 | 22.2 | 28.8 | 45° | 0.25 | 1.2 | 0.69 | 16.5 | 24.0 | 13.50 | 14.75 | 4.50 | 1.75 | 2.125 | 4.50 | 1.845 | 0.500 | 3.03 | 0.375 | 0.75 | | |
| 440HP20 | 58.3 | 62.8 | 22.2 | 28.8 | 45° | 0.25 | 1.2 | 0.69 | 20.0 | 24.0 | 13.50 | 14.75 | 4.50 | 1.75 | 2.125 | 4.50 | 1.845 | 0.500 | 3.03 | 0.375 | 0.75 | | |
| 440HP24 | 58.3 | 62.8 | 22.2 | 28.8 | 45° | 0.25 | 1.2 | 0.69 | 24.0 | 24.0 | 13.50 | 14.75 | 4.50 | 1.75 | 2.125 | 4.50 | 1.845 | 0.500 | 3.03 | 0.375 | 0.75 | | |
| 440LP16 | 58.3 | 62.8 | 22.2 | 28.8 | 45° | 0.25 | 1.2 | 0.69 | 16.5 | 24.0 | 13.50 | 14.75 | 4.50 | 1.75 | 2.125 | 4.50 | 1.845 | 0.500 | 3.03 | 0.375 | 0.75 | | |
| 440LP20 | 58.3 | 62.8 | 22.2 | 28.8 | 45° | 0.25 | 1.2 | 0.69 | 20.0 | 24.0 | 13.50 | 14.75 | 4.50 | 1.75 | 2.125 | 4.50 | 1.845 | 0.500 | 3.03 | 0.375 | 0.75 | | |
| 440LP24 | 58.3 | 62.8 | 22.2 | 28.8 | 45° | 0.25 | 1.2 | 0.69 | 24.0 | 24.0 | 13.50 | 14.75 | 4.50 | 1.75 | 2.125 | 4.50 | 1.845 | 0.500 | 3.03 | 0.375 | 0.75 | | |

| AA [NPT] | CONDUIT BOX DIMENSIONS | | | | | | MAXIMUM WEIGHT |
|----------|------------------------|------|-----|------|------|-----------|----------------|
| | AB | AC | AF | XL | XN | | |
| 3.00 | 20.8 | 16.5 | 9.2 | 15.2 | 10.3 | 2500 lbs. | |

| FRAME SIZE | BEARINGS | |
|-------------|----------|---------------|
| | LS | OS |
| 2 POLE HP | 6313C3 | 6314C3 |
| 2 POLE LP | 6313C3 | 7314BEGAM x 2 |
| 4~8 POLE HP | 6318C3 | 6314C3 |
| 4~8 POLE LP | 6318C3 | 7314BEGAM x 2 |

CUSTOMER: _____ MOTOR MODEL NO.: _____

P.O. NO.: _____ HP: _____ VOLTAGE: _____ RPM(SYN.): _____ Hz: _____

FRAME SIZE: _____ PRODUCT TYPE: VERTICAL SOLID SHAFT ROUND BODY P-FLANGE

COMMENTS: _____

PER: _____ DATE: _____

TAG NO's: _____

STANDARD (NO AUX. BOXES)

RTD AUX. BOX

SPACE HEATER AUX. BOX

BEARING RTD's

TOSHIBA RESERVES THE RIGHT TO MAKE CHANGES OF TECHNICAL IMPROVEMENT AND THE DATA MAY CHANGE WITHOUT NOTICE PRELIMINARY

DO NOT USE FOR CONSTRUCTION, INSTALLATION, OR APPLICATION PURPOSES UNLESS THE DRAWING IS MARKED AS CERTIFIED CERTIFIED

TOSHIBA

TOSHIBA INTERNATIONAL CORPORATION

TOTALLY-ENCLOSED FAN-COOLED
VERTICAL SOLID SHAFT ROUND BODY P-FLANGE
3 PHASE INDUCTION MOTOR
F1 ASSEMBLY

XT SERIES

VISIT OUR WEBSITE AT:
www.toshiba.com/ind