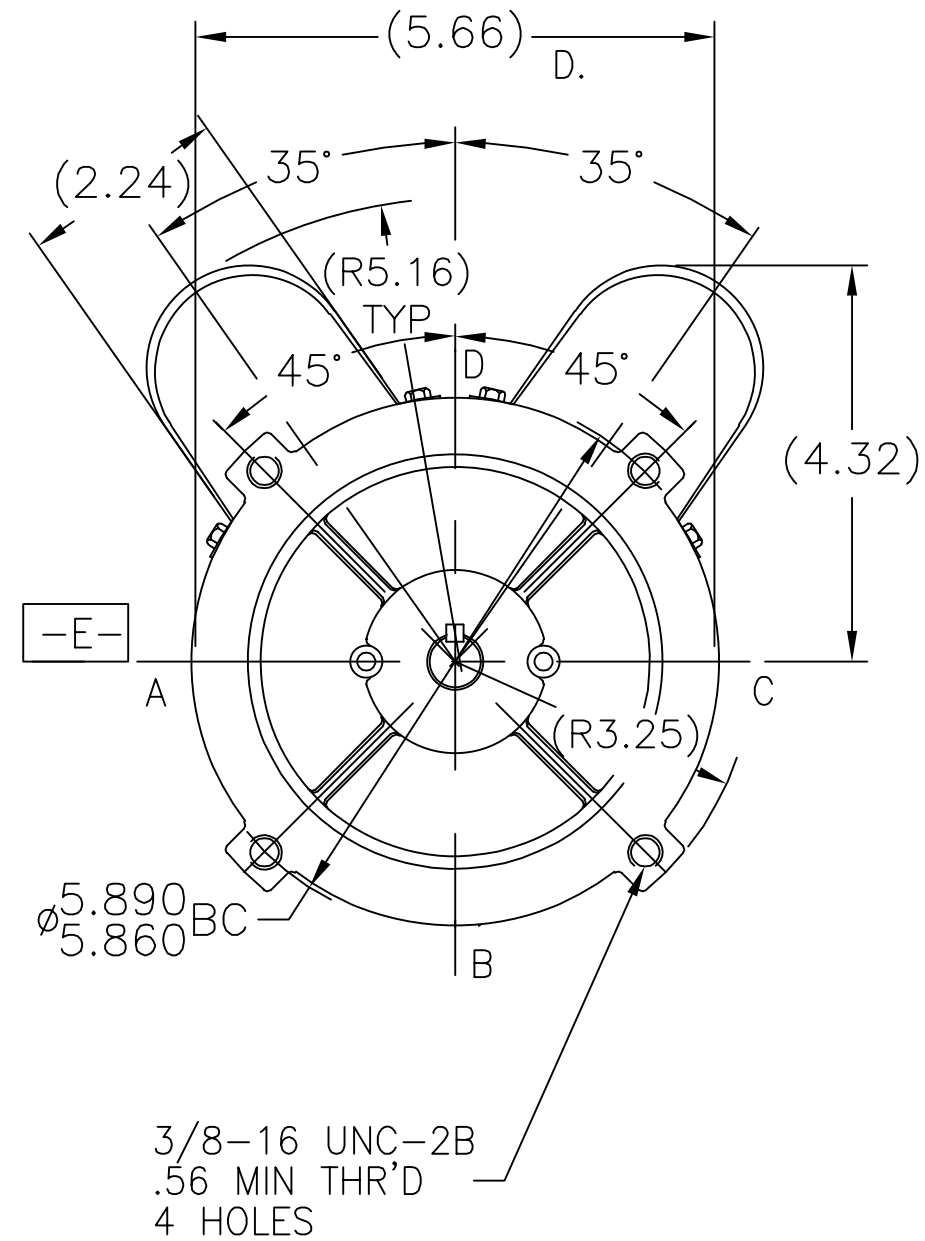
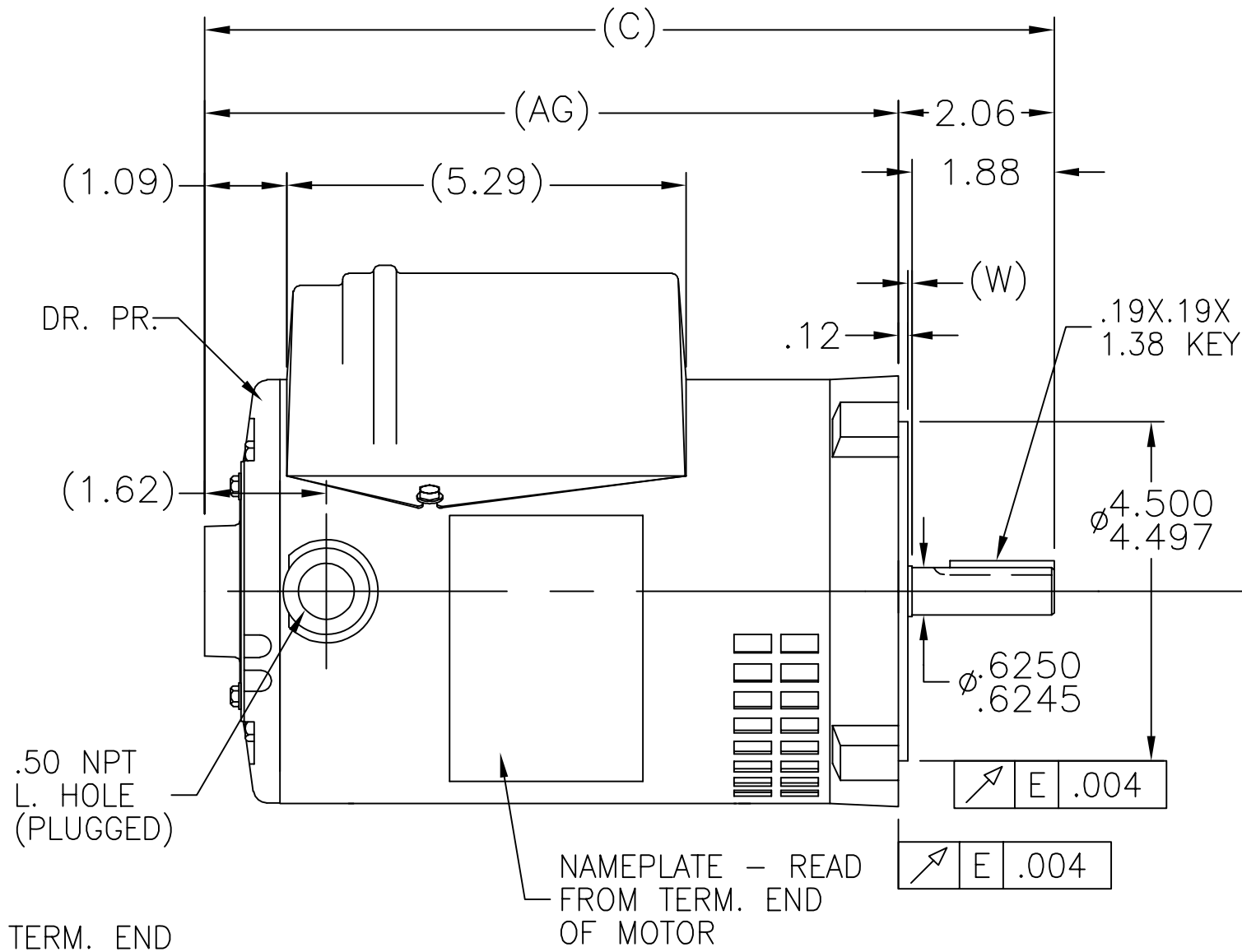


"W" = CLEARANCE ALLOWED FOR ALL VARIANCES  
IN MANUFACTURING AND ASSEMBLY.

SS74488



DASH	C	AG
775	11.68	9.62
800	11.93	9.87
825	12.18	10.12

NO.	REVISION	BY & DATE	CHK	TOLERANCES UNLESS SPECIFIED		FINISH	DRAWN	PAGE	REV.	
				DEC.	INCHES					
				.X	±.1		RM	10/9/1990		
				.XX	±.03		CHK	ML	10/9/1990	
				.XXX	±.005		APPD	GK	10/9/1990	
3	UPDATED DRAWING	TJW 05/04/2007		.XXXX	±.0005		SCALE	3=8		
2	REDRAWN	RM 10/9/1990				TITLE	REF			
						MAT'L.	FMF			
						FINISH	PREV			
THIS DRAWING IN DESIGN AND DETAIL IS OUR PROPERTY AND MUST NOT BE USED EXCEPT IN CONNECTION WITH OUR WORK ALL RIGHTS OF DESIGN AND INVENTION ARE RESERVED THIS IS AN ELECTRONICALLY GENERATED DOCUMENT - DO NOT SCALE THIS PRINT				RFP	CAD FILE SS74488		SIZE	DRAWING NO.	PAGE 1 OF 1	REV.
				DIST WP			A	SS74488		3



TITLE OUTLINE

MAT'L.

FINISH

DRAWN RM 10/9/1990

CHK ML 10/9/1990

APPD GK 10/9/1990

SCALE 3=8

REF

FMF

PREV

SIZE A DRAWING NO. SS74488 PAGE 1 OF 1 REV. 3