

# Product Information Packet

November 8, 2016

Data shown is for the current revision model #. Ensure your nameplate model # matches.

<b>Model Number:</b>	<b>5KS213STE305A</b>
<b>Catalog Number:</b>	<b>M7543</b>
<b>Instruction Manual:</b>	GEI-M1031
<b>Connection Diagram:</b>	GEM2034E-FIG210
<b>Outline Drawing:</b>	358B6271AA

Accessory Connection Diagrams			
<b>Bearing Thermocouple:</b>	None	<b>Heater:</b>	None
<b>RTD:</b>	None	<b>Thermistor:</b>	None
<b>Thermostat:</b>	None	<b>Winding Thermocouple:</b>	None
<b>Bearing RTD:</b>	None		

Table of Contents	
Specification	01
Performance Characteristics	02
Outline Drawing	03
Connection Drawing(s)	04

**Marks:**

<b>MODEL NUMBER:</b>	<b>5KS213STE305A</b>	<b>Estimated Weight:</b>	139 Lbs
<b>Outline Drawing:</b>	358B6271AA	<b>Time Rating:</b>	CONT
<b>Connection Diagram:</b>	GEM2034E-FIG210	<b>Enclosure:</b>	TEFC
<b>Instruction Book:</b>	GEI-M1031	<b>Encl Construction:</b>	SD
<b>Design Code:</b>	21AD3005A	<b>Ambient Max(°C):</b>	40
<b>Type:</b>	KS	<b>Alt Ambient Max(°C):</b>	--
<b>Frame:</b>	213T	<b>Insulation Class:</b>	F
<b>Phases:</b>	3	<b>NEMA Design:</b>	B
<b>Poles:</b>	6	<b>Nominal Efficiency:</b>	89.5 %
<b>Output Power:</b>	3HP 2.2KW	<b>Guaranteed Efficiency:</b>	87.5
<b>RPM:</b>	1170	<b>3/4 Load Efficiency:</b>	90.0
<b>Voltage:</b>	230/460	<b>KVA Code:</b>	K
<b>Hertz:</b>	60	<b>Max KVAR:</b>	1.5
<b>Amps - FL:</b>	8.2/4.1	<b>Power Factor:</b>	75
<b>Service Factor:</b>	1.15	<b>Bearing - DE:</b>	6308ZZC3
<b>Alt Service Factor:</b>	--	<b>Bearing - ODE:</b>	6208ZZC3

**Enclosure is Totally Enclosed Fan-Cooled**

**Stamped Nameplate Notes:**

6 POLE, TEFC,  
 IP54;IBM3;MASS 63 KG; MIN AMB -15C; MAX ALT 1000M  
 USABLE AT 200V @ 3.0 HP, 9.0 AMPS @ 1.0 SF  
 50HZ DATA @ 1.15 SF: 2.0/1.5 HP,  
 200/400V, 8.2/4. 1 AMPS: 50HZ DATA @ 1.00 SF  
 3.0/2.2 HP, 200/400V,9.0/4.5 AMPS  
 GREASE TYPE: SHELL ALVANIA R3 LITHIUM GREASE

**Additional Information:**

6 POLE, TEFC,  
 DUAL DIMENSION OUTLINE, IP54  
 NO. OF MOTOR LEADS: 9  
 CONDUIT BOX VOLUME (CU IN): 66.7  
 CONDUIT BOX MATERIAL: CAST IRON  
 SUITABLE FOR USE IN CLASS I DIVISION 2 LOCATIONS  
 CLASS I DIVISION 2 GROUPS A,B,C,D T3C  
 CLASS I ZONE 2 IIC T3C

**Performance Characteristics**

1st Winding 1st Connection

**Design: 21AD3005A**

Marks:

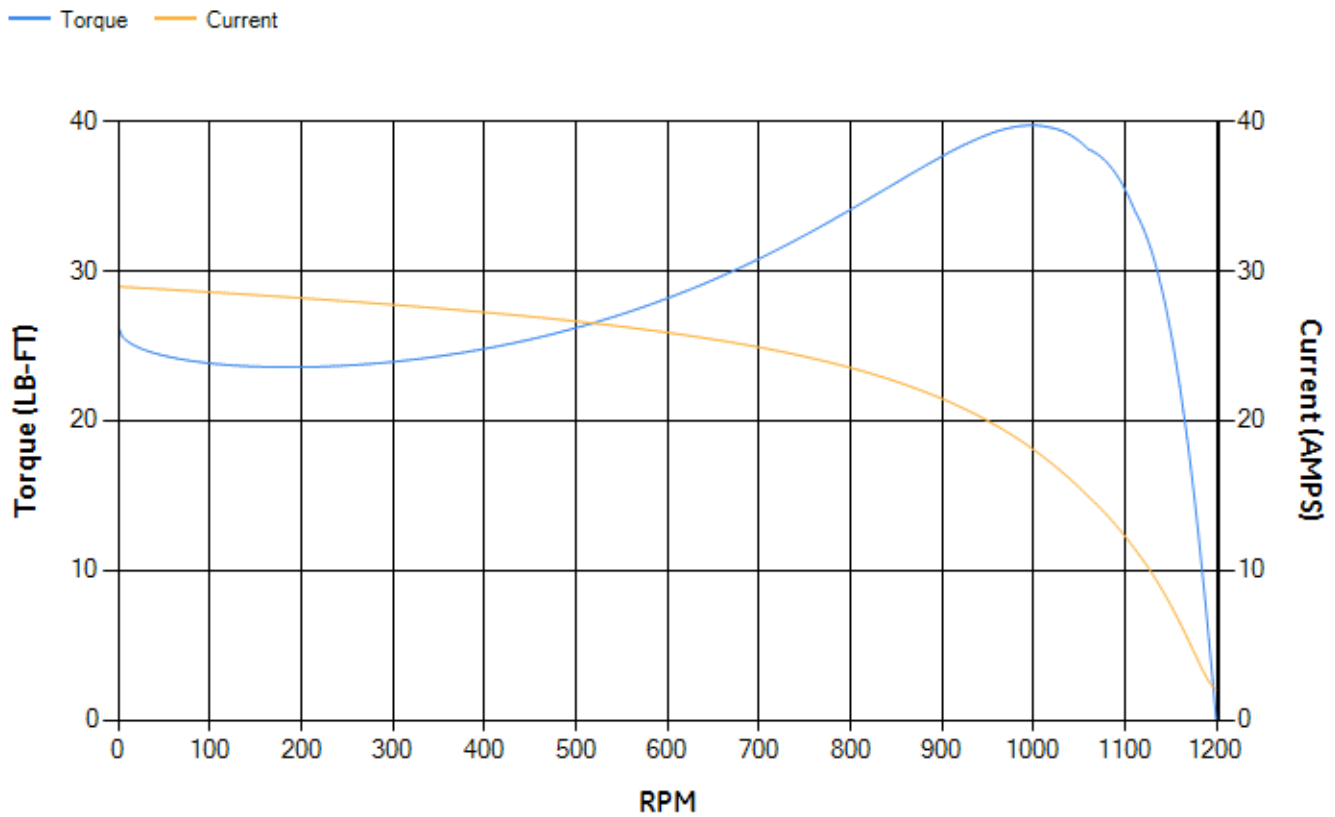
LOAD %	125.0	115.0	100.0	75.0	50.0	25.0	0.0
% EFF	88.57	89.05	89.81	90	89.08	83.87	0.00
% PF	78.38	77.27	74.94	68.47	56.74	36.33	5.57
AMPS	5.06	4.69	4.17	3.42	2.78	2.3	2.06

TORQ(FL)#FT	13.42	TORQ(LR)%FL	195.38	TORQ(BD)%FL	292.65
AMPS(LR)	28.96	PF AT START	0.35		

This motor is capable of two cold or one hot start with a maximum connected load inertia of 350 Lb-Ft Sq (14.74 Kg-meter Sq) at 100% voltage, where the load torque varies with the square of the speed. Acceleration time with maximum inertia and the above load type is 54 seconds. Safe stall time at 100% voltage is 129 seconds cold, 88 seconds hot. Rotor inertia is 0.95 Lb-Ft Sq (0.04 Kg-meter Sq).

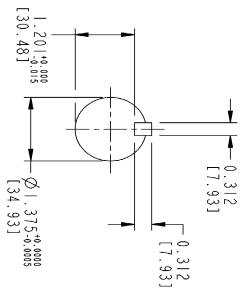
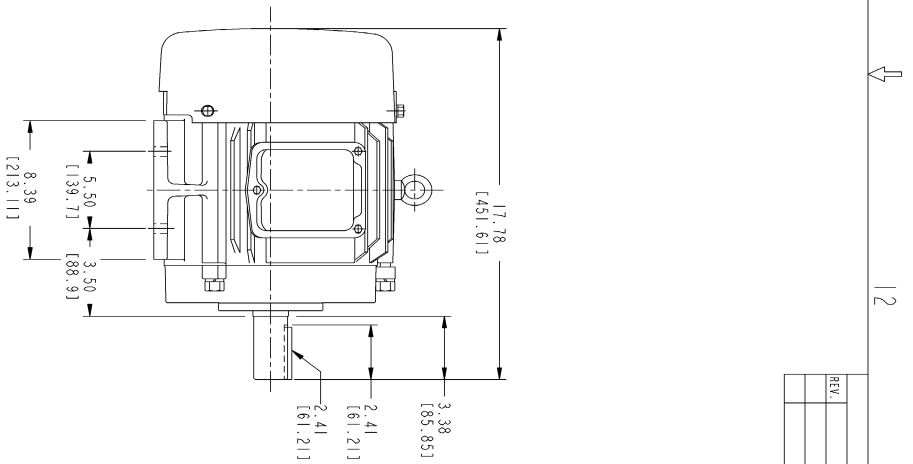
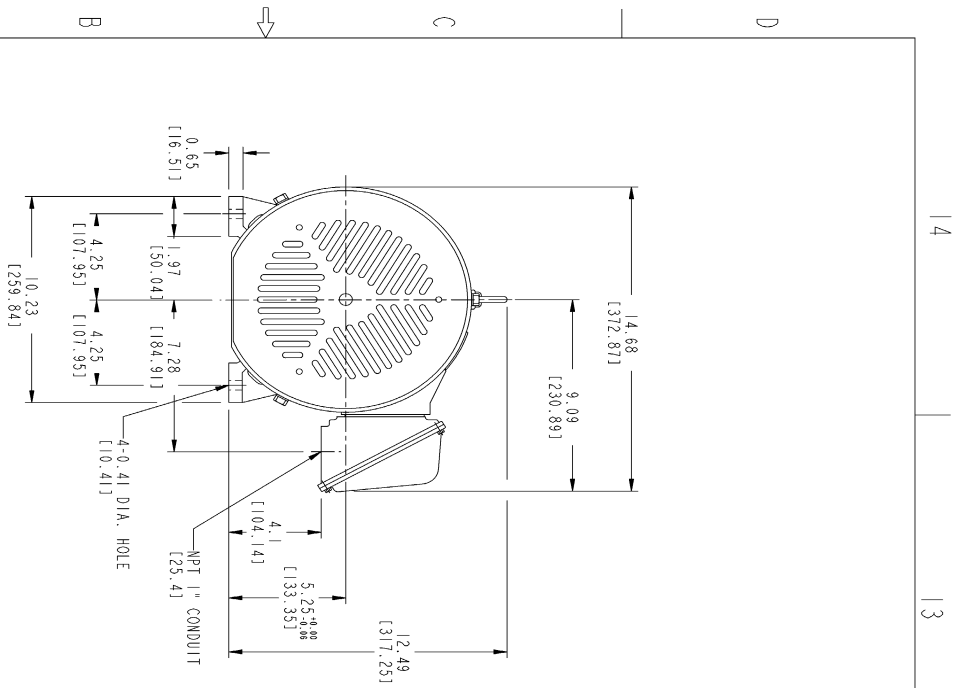
Open Circuit A-C:	0.227	Short Circuit D-C:	0.01
Short Circuit A-C:	0.016	X/R Ratio:	3.917
Stator Slots:	54	Rotor Slots:	42

**Speed Torque Current Curve (First Connection, First Speed)**

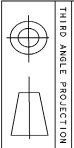


NAME:501291659 OBJECT:358B6271AA DATE:05-Dec-07 10:08:54

Marks:



- NOTES :
1. DIMENSIONS ARE IN INCHES.
  2. F-1 ASM AS SHOWN.
  3. F-2 ASM - HAS CONDUIT BOX ON OPPOSITE SIDE.
  4. BRACKETED DIMENSIONS ARE METRIC (MILLIMETERS)
  5. ICA11, IP94, MB34 APPLY



THIRD ANGLE PROJECTION

Part must conform to SI 900000 Sect 4, Toxicity Procedure

REV.	DESCRIPTION	DATE	APPROVED

FOR ADDITIONAL INFO REFER TO:		SIGNATURES		DATE	
REFLECTED DIMENSIONS	DETAIL				
UNREFLECTED DIMENSIONS	ASSEMBLY				
TOLERANCE ON DIMENSIONS					
1 P.L. DECIMALS ±					
2 P.L. DECIMALS ±					
3 P.L. DECIMALS ±					
ANGLES ±					
FRACTIONS ±					
FINISH					
MATERIAL	SOLID MODEL MODEL NAME				

GE Consumer & Industrial  
GENERAL ELECTRIC COMPANY

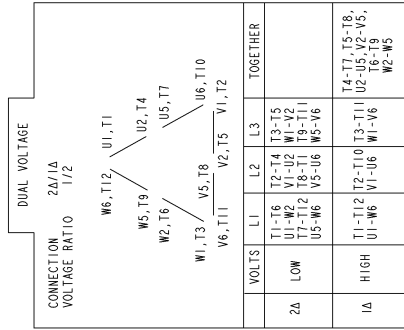
OUTLINE  
FID - 23T TERC GE MARK  
66.7 CU IN CONDUIT BOX

358B6271AA  
REV 0

4 3 2 1

Marks:

**Connection Diagram**  
**GEM2034E-FIG210**



NAME:501452353 OBJECT:GEM2034E-FIG210 DATE:25-Feb-08 14:03:35

