

DATE
Sept. 13, 2005
CAT. #: HB1/54

OUTLINE DIMENSIONS

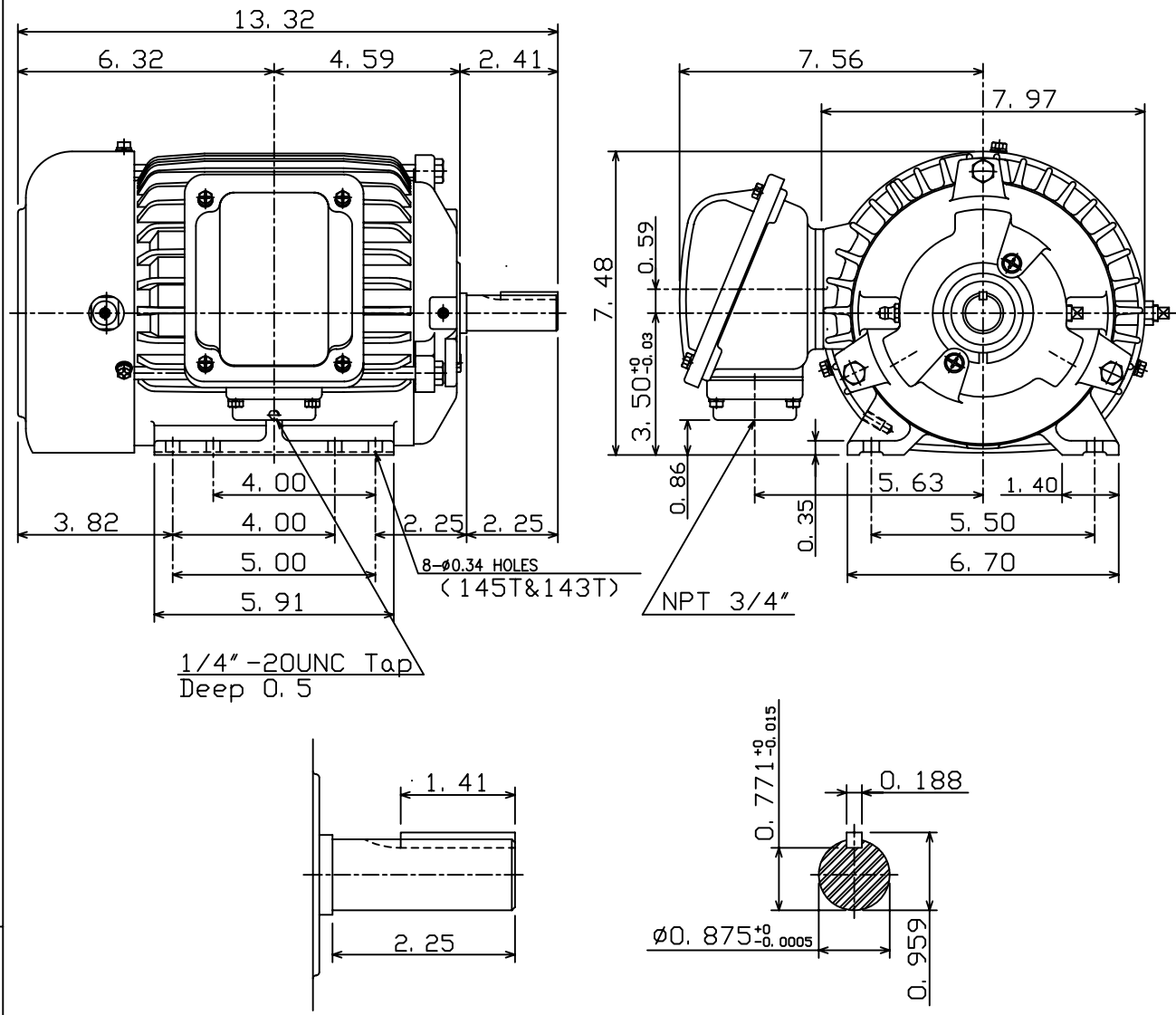
3-PHASE INDUCTION MOTOR

MOTOR TYPE:
AEHH8B
FRAME NO. 145T

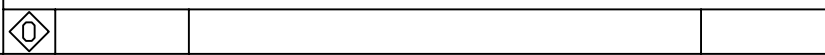
| Pole | HP | kW | Hz | VOLT | Syn. Speed r/min(rpm) |
|------|-----|------|----|------|--------------------------|
| 4 | 1.5 | 1.12 | 60 | 460 | 1800 |

| Ins | Rating | Dimension in | Approx Weight | Bearings |
|-----|--------|--------------|---------------|------------------------------|
| F | CONT. | inches | 60 lbs. | DE: 6205ZC35C NDE: 6205ZC35C |

Totally Enclosed Fan-Cooled Type, Squirrel-Cage Rotor.



Note:
1. Motor Vibration: 7.5 μ .
2. Both End With Inpro/Seal.



| | | |
|-------|------------|----------|
| DWN. | C. S. LO | 12-22-04 |
| CHKD. | C. S. LO | 12-27-04 |
| APPD. | M. C. TSAI | 12-27-04 |



DWG NO.
31049U591020