

# Product Information Packet

November 9, 2016

Data shown is for the current revision model #. Ensure your nameplate model # matches.

<b>Model Number:</b>	<b>5KS404SAA304D8</b>
<b>Catalog Number:</b>	<b>M9837</b>
<b>Instruction Manual:</b>	GEI-56128
<b>Connection Diagram:</b>	GEM2034E-FIG1
<b>Outline Drawing:</b>	239C6400AA

<b>Accessory Connection Diagrams</b>			
<b>Bearing Thermocouple:</b>	None	<b>Heater:</b>	None
<b>RTD:</b>	None	<b>Thermistor:</b>	None
<b>Thermostat:</b>	None	<b>Winding Thermocouple:</b>	None
<b>Bearing RTD:</b>	None		

## Table of Contents

Specification	01
Performance Characteristics	02
Outline Drawing	03
Connection Drawing(s)	04
Spare parts	05



**Marks:**

<b>MODEL NUMBER:</b>	<b>5KS404SAA304D8</b>	<b>Estimated Weight:</b>	1410 Lbs
<b>Outline Drawing:</b>	239C6400AA	<b>Time Rating:</b>	CONT
<b>Connection Diagram:</b>	GEM2034E-FIG1	<b>Enclosure:</b>	TEFC
<b>Instruction Book:</b>	GEI-56128	<b>Encl Construction:</b>	X\$D
<b>Design Code:</b>	40BD3068B	<b>Ambient Max(°C):</b>	40
<b>Type:</b>	KS	<b>Alt Ambient Max(°C):</b>	65
<b>Frame:</b>	404T	<b>Insulation Class:</b>	H
<b>Phases:</b>	3	<b>NEMA Design:</b>	B
<b>Poles:</b>	6	<b>Nominal Efficiency:</b>	94.5 %
<b>Output Power:</b>	60HP 44.4KW	<b>Guaranteed Efficiency:</b>	94.1
<b>RPM:</b>	1190	<b>3/4 Load Efficiency:</b>	94.5
<b>Voltage:</b>	575	<b>KVA Code:</b>	G
<b>Hertz:</b>	60	<b>Max KVAR:</b>	22.6
<b>Amps - FL:</b>	58.7	<b>Power Factor:</b>	81.0
<b>Service Factor:</b>	1.25	<b>Bearing - DE:</b>	6316ZC3S0
<b>Alt Service Factor:</b>	1.00	<b>Bearing - ODE:</b>	6316ZC3S0

**Enclosure is Totally Enclosed Fan-Cooled**

**Stamped Nameplate Notes:**

SF AMPS 72.1  
 STAMP NP249A5564P051 AS BELOW:  
 MODEL:5KS404SAA304D8 S/N: XXX  
 CSA CERTIFIED CSA09.2216219 FOR EX NA IIC 200 C GC  
 CL 1 ZONE2 AEX NA IIC 200C;CL 1 DIV2 GRP ABCD 200C  
 IN -40C <= AMB <= 40C, 1.0 SF ON SINE-WAVE PWR  
 SURF TEMP 215C AT 1.25SF ON SINE-WAVE PWR  
 OR 200C VT OR 215C CT OR 200C CHP PWM CONTROL  
 ALTERNATE RATING FOR PWM CONTROL 1.0SF 40C AMB  
 VT 0-60 HZ, CT 3-60 HZ, CHP 60-90 HZ.

**Additional Information:**

6P - T EXTN  
 C/BOX 700 CU IN - 3.00" NPT  
 OIL RESISTANT SLEEVING ON LEADS  
 F1 MOUNTING

**Performance Characteristics**

1st Winding 1st Connection

**Design: 40BD3068B**

**Marks:**

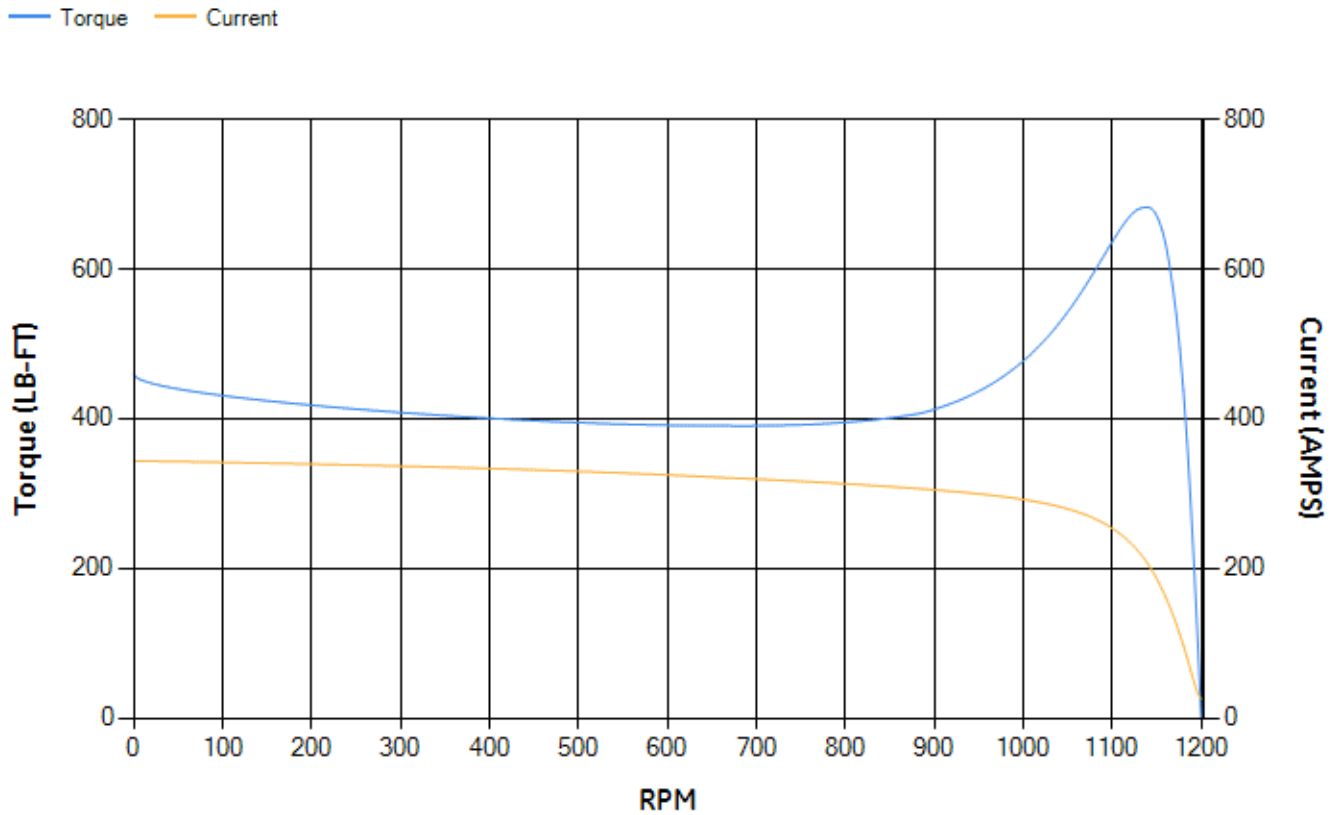
LOAD %	125.0	115.0	100.0	75.0	50.0	25.0	0.0
% EFF	93.78	94.03	94.53	94.54	94.03	90.99	0.00
% PF	83.06	82.41	80.85	75.85	65.17	42.77	3.63
AMPS	72.09	66.67	58.66	46.99	36.66	28.86	25.2

<b>TORQ(FL)#FT</b>	264.93	<b>TORQ(LR)%FL</b>	173.61	<b>TORQ(BD)%FL</b>	256.92
<b>AMPS(LR)</b>	343.52	<b>PF AT START</b>	0.35		

This motor is capable of two cold or one hot start with a maximum connected load inertia of 5229 Lb-Ft Sq (220.14 Kg-meter Sq)at 100% voltage, where the load torque varies with the square of the speed. Acceleration time with maximum inertia and the above load type is 59 seconds. Safe stall time at 100% voltage is 123 seconds cold, 76 seconds hot. Rotor inertia is 28.57 Lb-Ft Sq (1.2 Kg-meter Sq).

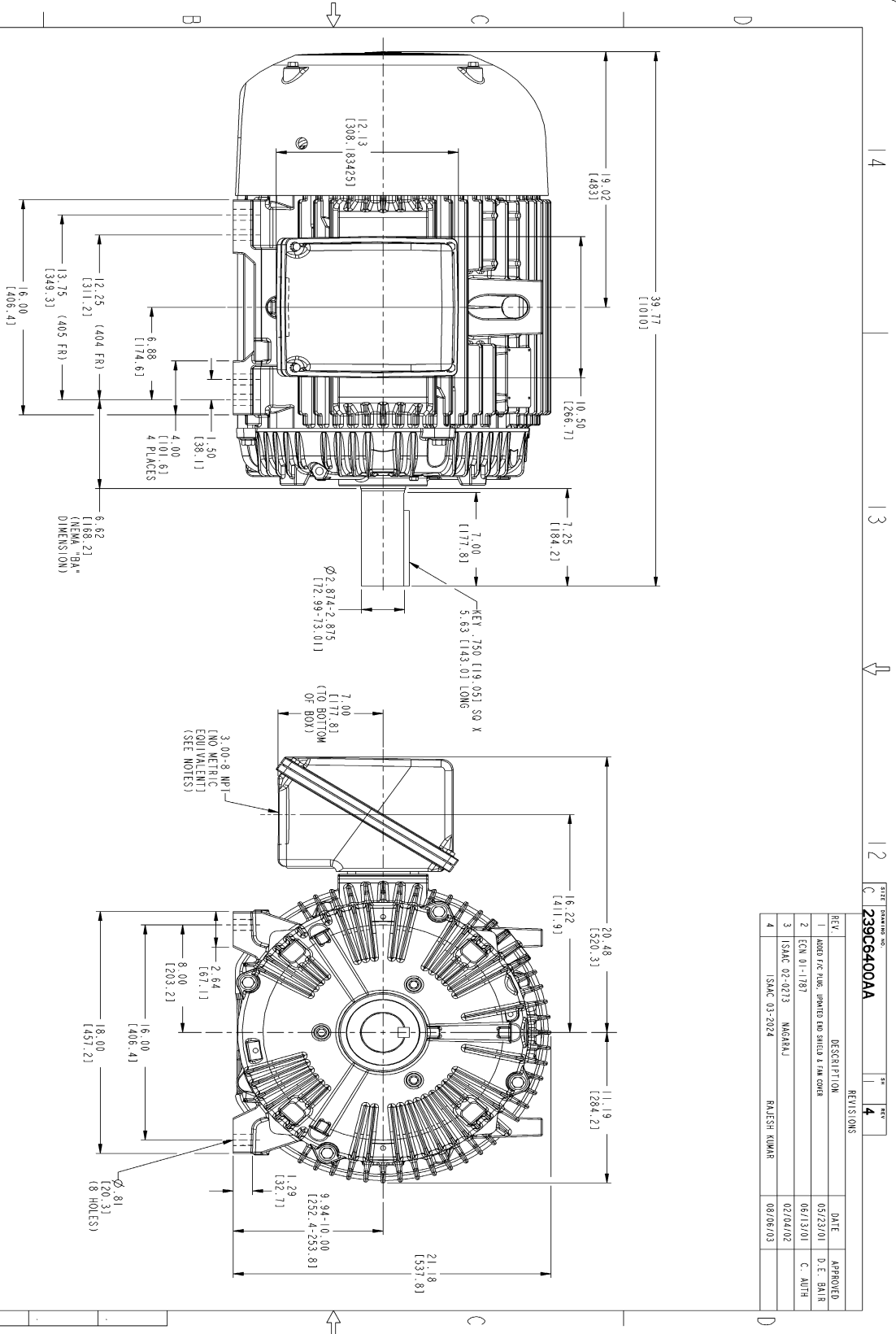
<b>Open Circuit A-C:</b>	0.635	<b>Short Circuit D-C:</b>	0.021
<b>Short Circuit A-C:</b>	0.04	<b>X/R Ratio:</b>	7.86
<b>Stator Slots:</b>	72	<b>Rotor Slots:</b>	58

**Speed Torque Current Curve (First Connection, First Speed)**



NAME: 103016807 OBJECT: 239C6400AA DATE: 08-Aug-03 09:32:41

Marks:



NOTES:

1. CONDUIT BOX MAY BE PLACED WITH THE ENTRANCE DOWN, UP OR ON EITHER SIDE.
2. F-1 ASSEMBLY AS SHOWN.
3. F-2 ASSEMBLY HAS CONDUIT BOX ON OPPOSITE SIDE.
4. BRACKETED DIMENSIONS ARE METRIC (MILLIMETERS).

REV.	DESCRIPTION	DATE	APPROVED
1	ADDED FFC RING, IMPROVED END SHIELD & FAN COVER	05/23/01	D. E. BAIR
2	ECN 01-1181	06/13/01	C. ALTH
3	ISMAC 02-0273 MARGRAJ	02/04/02	
4	ISMAC 03-2024 RAJESH KUMAR	08/06/03	

SIGNATURES	DATE	GENERAL ELECTRIC COMPANY
DESIGNED BY: J.M. JOHNSON	03/29/00	Fort Wayne, Indiana
CHECKED BY: W. ELLISWORTH	05/11/00	
DRAWN BY: D. STARK	05/11/00	
APPLIED PRACTICES		
SCALE: 0.220 REF. NO.:		
SHEET 1 OF 1		

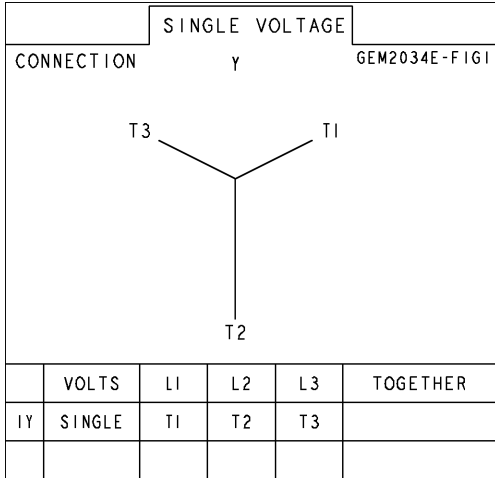
**OUTLINE**  
404/405T TEFC  
700 CU. IN. CONDUIT BOX

239C6400AA

DISTRIBUTION: MMP

Marks:

**Connection Diagram**  
**GEM2034E-FIG1**



End shield Assembly		
Part Description	DE Side Part#	ODE Side Part#
End Shield	115E4304AA1	115E4304LL1
Bearing	235A2618AA04	235A2618AA04
Slinger/Inproseal	149C4399G06	149C4399G06

Fan & Fan Cover Assembly	
Part Description	Part#
Fan	159C7100G02
Fan Cover	128D6832AA1

Conduit & Accessories Box Assembly	
Part Description	Part#
Conduit Box	118D4408AD2

Mechanical Accessories	
Part Description	Part#
Brake	
Tachometer	

