

# Product Information Packet

November 9, 2016

Data shown is for the current revision model #. Ensure your nameplate model # matches.

<b>Model Number:</b>	<b>5KS445SAA208D6</b>
<b>Catalog Number:</b>	<b>M9928</b>
<b>Instruction Manual:</b>	GEI-56128
<b>Connection Diagram:</b>	GEM2034E-FIG1
<b>Outline Drawing:</b>	239C6600AA

Accessory Connection Diagrams			
<b>Bearing Thermocouple:</b>	None	<b>Heater:</b>	None
<b>RTD:</b>	None	<b>Thermistor:</b>	None
<b>Thermostat:</b>	None	<b>Winding Thermocouple:</b>	None
<b>Bearing RTD:</b>	None		

## Table of Contents

Specification	01
Performance Characteristics	02
Outline Drawing	03
Connection Drawing(s)	04
Spare parts	05

**Marks:**

<b>MODEL NUMBER:</b>	<b>5KS445SAA208D6</b>	<b>Estimated Weight:</b>	2060 Lbs
<b>Outline Drawing:</b>	239C6600AA	<b>Time Rating:</b>	CONT
<b>Connection Diagram:</b>	GEM2034E-FIG1	<b>Enclosure:</b>	TEFC
<b>Instruction Book:</b>	GEI-56128	<b>Encl Construction:</b>	X\$D
<b>Design Code:</b>	44BD1174A	<b>Ambient Max(°C):</b>	40
<b>Type:</b>	KS	<b>Alt Ambient Max(°C):</b>	65
<b>Frame:</b>	445T	<b>Insulation Class:</b>	H
<b>Phases:</b>	3	<b>NEMA Design:</b>	B
<b>Poles:</b>	4	<b>Nominal Efficiency:</b>	95.8 %
<b>Output Power:</b>	150HP 111KW	<b>Guaranteed Efficiency:</b>	95.4
<b>RPM:</b>	1785	<b>3/4 Load Efficiency:</b>	95.7
<b>Voltage:</b>	460	<b>KVA Code:</b>	G
<b>Hertz:</b>	60	<b>Max KVAR:</b>	40.3
<b>Amps - FL:</b>	168.0	<b>Power Factor:</b>	87.0
<b>Service Factor:</b>	1.25	<b>Bearing - DE:</b>	6318ZC3
<b>Alt Service Factor:</b>	1.00	<b>Bearing - ODE:</b>	6318ZC3

**Enclosure is Totally Enclosed Fan-Cooled**

**Stamped Nameplate Notes:**

SF AMPS 209.0  
 STAMP NP249A5564P051 AS BELOW:  
 MODEL:5KS445SAA208D6 S/N: XXX  
 CSA CERTIFIED CSA09.2216219 FOR EX NA IIC 200 C GC  
 CL 1 ZONE2 AEX NA IIC 200C;CL 1 DIV2 GRP ABCD 200C  
 IN -40C <= AMB <= 40C, 1.0 SF ON SINE-WAVE PWR  
 SURF TEMP 215C AT 1.25SF ON SINE-WAVE PWR  
 OR 200C VT OR 230C CT OR 200C CHP PWM CONTROL  
 ALTERNATE RATING FOR PWM CONTROL 1.0SF 40C AMB  
 VT 0-60 HZ, CT 15-60 HZ, CHP 60-90 HZ.

**Additional Information:**

4P - T EXTN  
 C/BOX 700 CU IN - 3.00" NPT  
 OIL RESISTANT SLEEVING ON LEADS  
 F1 MOUNTING

**Performance Characteristics**

1st Winding 1st Connection

**Design: 44BD1174A**

**Marks:**

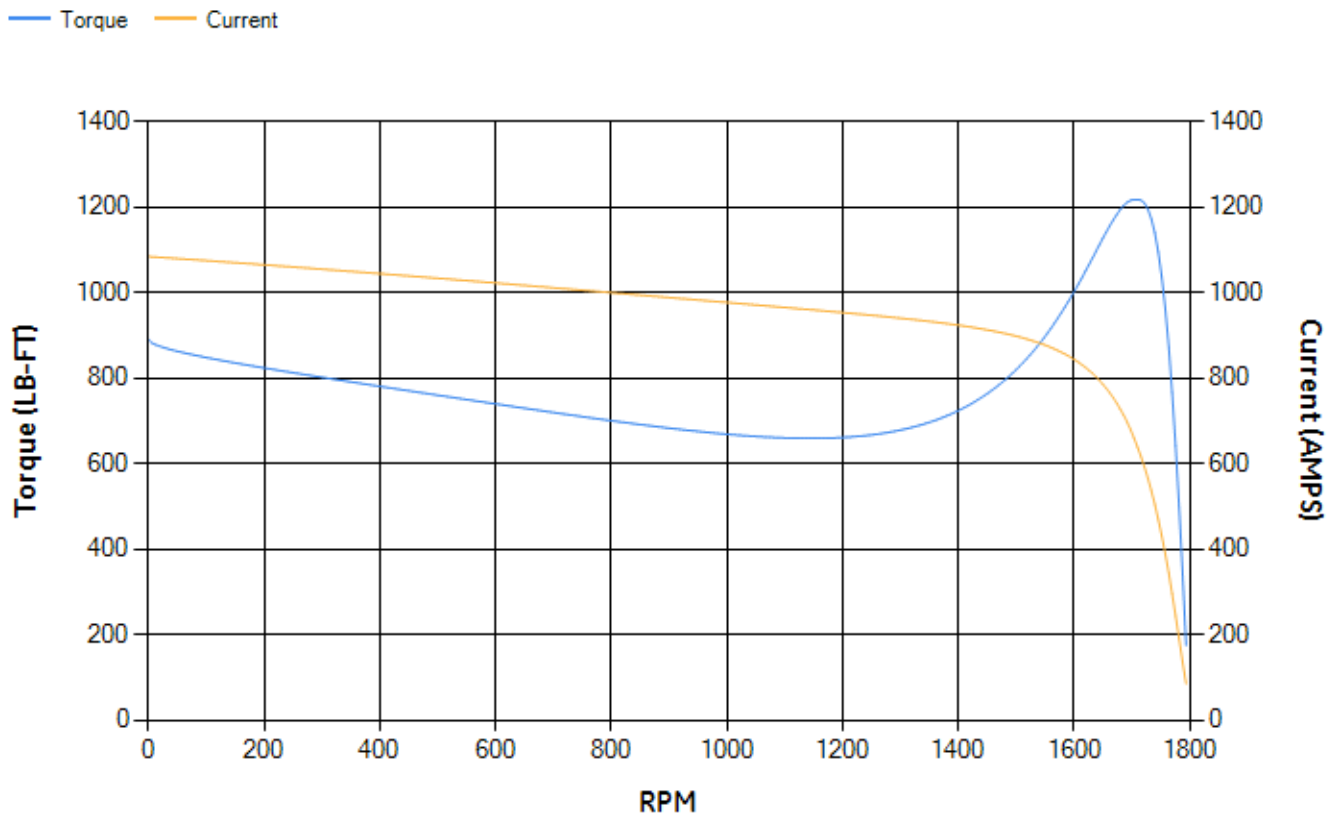
LOAD %	125.0	115.0	100.0	75.0	50.0	25.0	0.0
% EFF	95.33	95.48	95.85	95.71	95.18	92.53	0.00
% PF	88.07	87.77	86.9	83.69	75.65	54.33	4.44
AMPS	209.03	192.66	168.54	131.45	97.48	69.82	56.22

<b>TORQ(FL)#FT</b>	441.48	<b>TORQ(LR)%FL</b>	201.51	<b>TORQ(BD)%FL</b>	275.26
<b>AMPS(LR)</b>	1083.71	<b>PF AT START</b>	0.33		

This motor is capable of two cold or one hot start with a maximum connected load inertia of 3238 Lb-Ft Sq (136.32 Kg-meter Sq)at 100% voltage, where the load torque varies with the square of the speed. Acceleration time with maximum inertia and the above load type is 30 seconds. Safe stall time at 100% voltage is 58 seconds cold, 37 seconds hot. Rotor inertia is 71.88 Lb-Ft Sq (3.03 Kg-meter Sq).

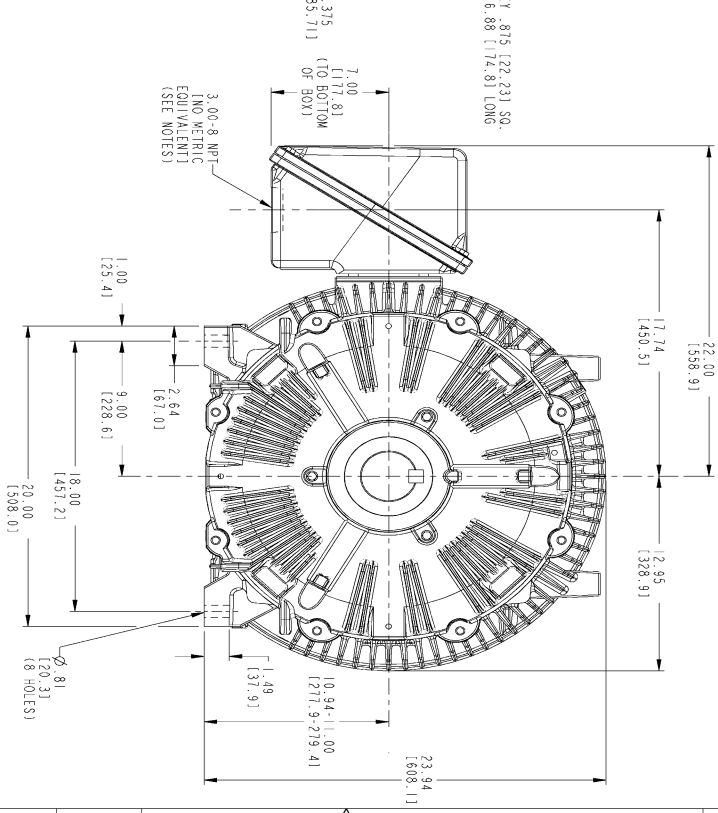
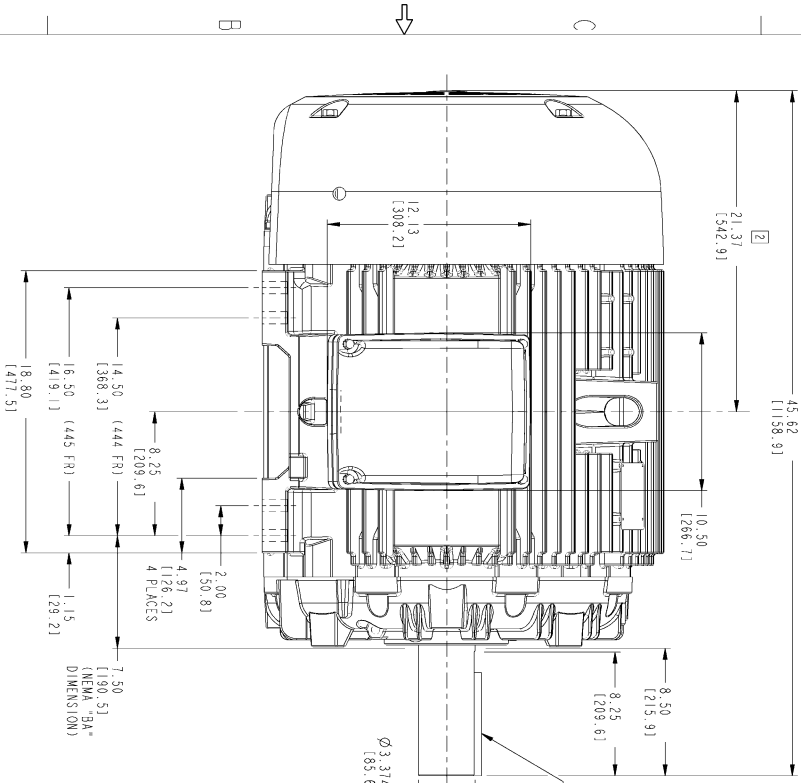
<b>Open Circuit A-C:</b>	0.857	<b>Short Circuit D-C:</b>	0.033
<b>Short Circuit A-C:</b>	0.04	<b>X/R Ratio:</b>	12.52
<b>Stator Slots:</b>	72	<b>Rotor Slots:</b>	58

**Speed Torque Current Curve (First Connection, First Speed)**

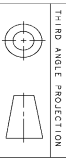


Marks:

REV.	DESCRIPTION	DATE	APPROVED
1	ECH 01-0311	02/05/01	
2	ADDED FAN COVER FIG. CPA	04/30/01	
3	SAC 02-0273 MARGAJ	02/04/02	
4	SAC 03-2024	08/06/03	
5	SAC 13-0248	03/22/13	MANCHI



- NOTES:
- CONDUIT BOX MAY BE PLACED WITH THE ENTRANCE DOWN, UP OR ON EITHER SIDE.
  - F-1 ASSEMBLY AS SHOWN.
  - F-2 ASSEMBLY HAS CONDUIT BOX ON OPPOSITE SIDE.
  - BRACKETED DIMENSIONS ARE METRIC (MILLIMETERS).



THIRD ANGLE PROJECTION

SIGNATURES	DATE	GE Industrial Systems	GENERAL ELECTRIC COMPANY
SALES J.M. JUREN 04/17/00			Fort Wayne, Indiana
ORDER M. ELSWORTH 04/17/00			
SALES D. STARK 04/17/00			
ORDER M. ELSWORTH 04/17/00			
APPLIED PRACTICES			
SIZE DRAWING			
SCALE: 0.200	REF. NO.	239C6600AA	SHEET 1 OF 5
OUTLINE		444/445T TEFC	
700 CU. IN. CONDUIT BOX			
239C6600AA			
DISTRIBUTION: MMP			

Marks:

**Connection Diagram**  
**GEM2034E-FIG1**



End shield Assembly		
Part Description	DE Side Part#	ODE Side Part#
End Shield	115E4355AA1	115E4355LM1
Bearing	235A2514AG01	235A2514AG01
Slinger/Inproseal	149C4399G07	149C4399G07

Fan & Fan Cover Assembly	
Part Description	Part#
Fan	159C7100G02
Fan Cover	128D6841AA1

Conduit & Accessories Box Assembly	
Part Description	Part#
Conduit Box	118D4408AD2

Mechanical Accessories	
Part Description	Part#
Brake	
Tachometer	