

Product Information Packet

November 8, 2016

Data shown is for the current revision model #. Ensure your nameplate model # matches.

Model Number:	5KS145STE209F2RG3
Catalog Number:	M7553
Instruction Manual:	GEI-M1031
Connection Diagram:	GEM2034E-FIG203
Outline Drawing:	358B6269AC

Accessory Connection Diagrams			
Bearing Thermocouple:	None	Heater:	None
RTD:	None	Thermistor:	None
Thermostat:	None	Winding Thermocouple:	None
Bearing RTD:	None		

Table of Contents	
Specification	01
Performance Characteristics	02
Outline Drawing	03
Connection Drawing(s)	04

Marks:

MODEL NUMBER:	5KS145STE209F2RG3	Estimated Weight:	61 Lbs
Outline Drawing:	358B6269AC	Time Rating:	CONT
Connection Diagram:	GEM2034E-FIG203	Enclosure:	TEFC
Instruction Book:	GEI-M1031	Encl Construction:	SD
Design Code:	14AD1012A	Ambient Max(°C):	40
Type:	KS	Alt Ambient Max(°C):	--
Frame:	145T	Insulation Class:	F
Phases:	3	NEMA Design:	B
Poles:	4	Nominal Efficiency:	86.5 %
Output Power:	1.5HP 1.1KW	Guaranteed Efficiency:	84.0
RPM:	1745	3/4 Load Efficiency:	88.5
Voltage:	230/460	KVA Code:	M
Hertz:	60	Max KVAR:	0.8
Amps - FL:	4.2/2.1	Power Factor:	77
Service Factor:	1.15	Bearing - DE:	6205ZZC3
Alt Service Factor:	--	Bearing - ODE:	6205ZZC3

Enclosure is Totally Enclosed Fan-Cooled

Stamped Nameplate Notes:

USABLE AT 200V @ 1.5 HP, 4.5 AMPS @ 1.0 SF

LRA: 33.4/16.7

50HZ DATA: 1.0 HP,200/400V, 3.8/1.9 AMPS @ 1.15 SF

50HZ DATA: 1.5HP, 200/400V,4.8/2.4 AMPS @ 1.00 SF

GREASE TYPE: SHELL ALVANIA R3 LITHIUM GREASE

Additional Information:

CONDUIT BOX VOLUME (CU IN): 47.1

CONDUIT BOX MATERIAL: CAST IRON

INVERTER DUTY PER NEMA MG1 PART 31

FOR VARIABLE TORQUE LOADS

BAM 1/12



Performance Characteristics

1st Winding 1st Connection

Design: 14AD1012A

Marks:

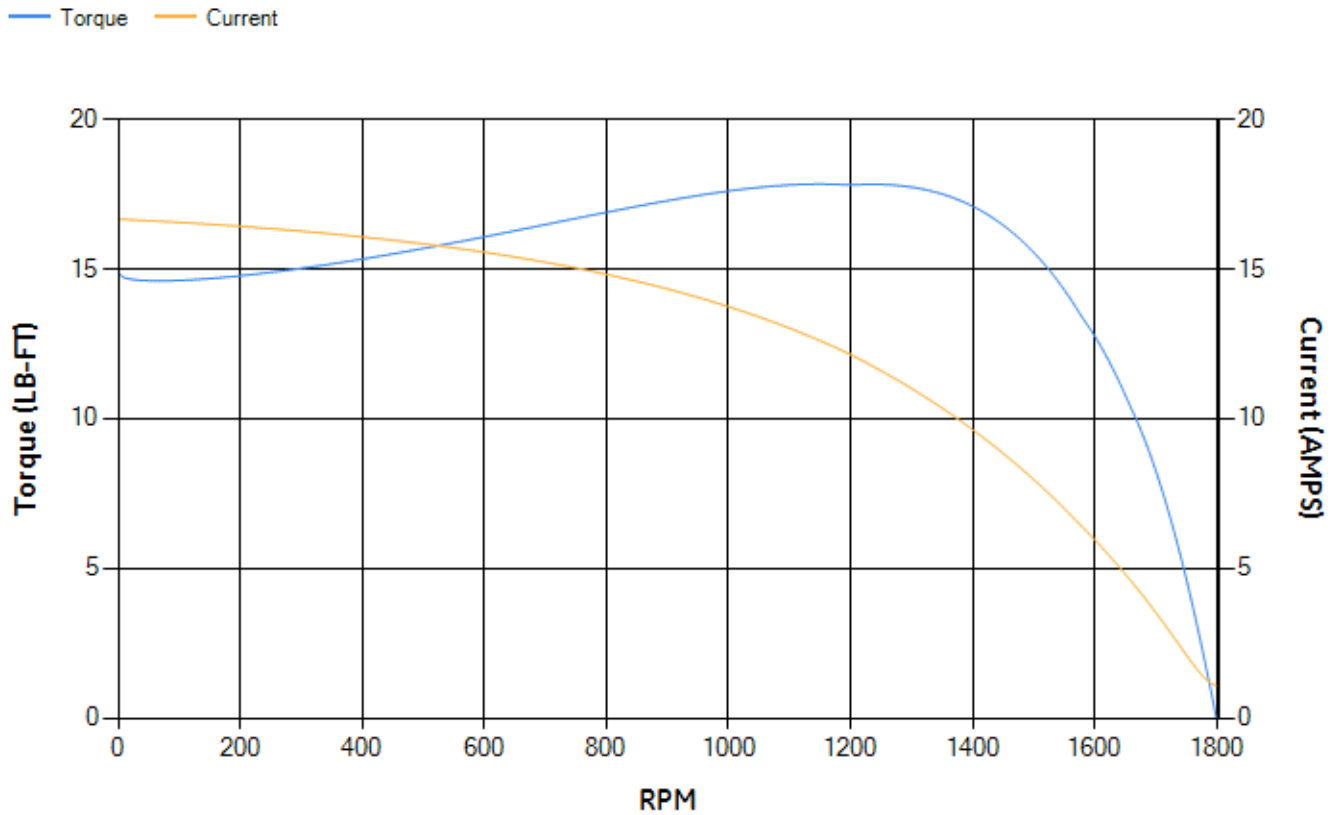
LOAD %	125.0	115.0	100.0	75.0	50.0	25.0	0.0
% EFF	87.41	87.84	88.52	88.48	87.09	80.6	0.00
% PF	80.97	79.64	76.97	69.86	57.41	36.61	6.85
AMPS	2.48	2.31	2.06	1.7	1.4	1.19	1.09

TORQ(FL)#FT	4.52	TORQ(LR)%FL	329.44	TORQ(BD)%FL	388.6
AMPS(LR)	16.67	PF AT START	0.55		

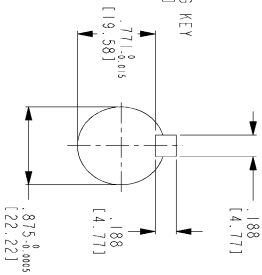
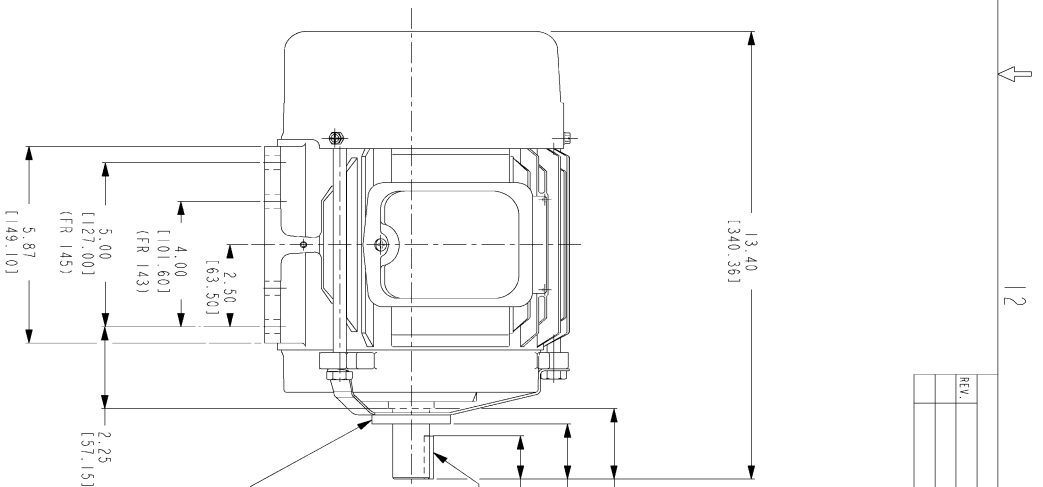
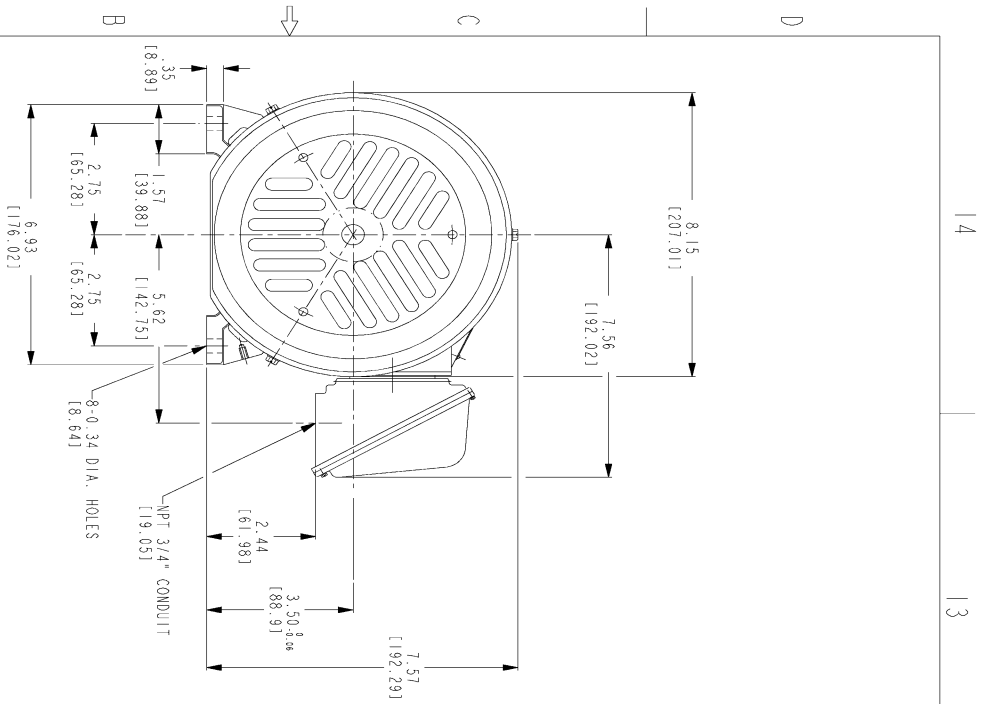
This motor is capable of two cold or one hot start with a maximum connected load inertia of 78 Lb-Ft Sq (3.28 Kg-meter Sq)at 100% voltage, where the load torque varies with the square of the speed. Acceleration time with maximum inertia and the above load type is 32 seconds. Safe stall time at 100% voltage is 75 seconds cold, 58 seconds hot. Rotor inertia is 0.11 Lb-Ft Sq (0 Kg-meter Sq).

Open Circuit A-C:	0.144	Short Circuit D-C:	0.007
Short Circuit A-C:	0.007	X/R Ratio:	2.637
Stator Slots:	36	Rotor Slots:	28

Speed Torque Current Curve (First Connection, First Speed)



Marks:

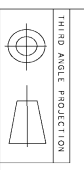


NOTES:

1. DIMENSIONS ARE IN INCHES.
2. F-1 ASM AS SHOWN.
3. F-2 ASM - HAS CONDUIT BOX ON OPPOSITE SIDE.
4. BRACKETED DIMENSIONS ARE METRIC (MILLIMETERS)
5. ICA11, IP34, IMB34 APPLY.

REV.	DESCRIPTION	DATE	APPROVED

SHEET NO. 01
 REV. 01
 358B6259AC

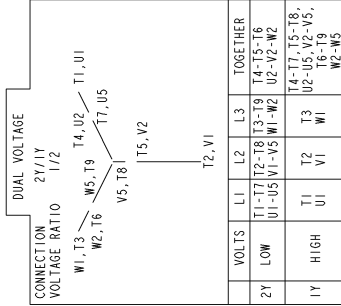


THIRD ANGLE PROJECTION

SIGNATURES		DATE	GENERAL ELECTRIC COMPANY	
DESIGN	SHANKAR	06/24/11	OUTLINE FTD - 143T/145T TERC OE MARK WITH SGR 471 CU IN CONDUIT BOX	
CHECKED	VENKAT	06/24/11		
DRAWN	VENKAT	06/24/11	TITLE 358B6259AC	
QUALITY	SHANKAR	06/24/11	SIZE DRAWING 0	
ISSUED	SHANKAR	06/24/11	SCALE: DRAWING SCALE 0	
SCALE: MODEL NAME		SHEET 1 OF 1		

Marks:

Connection Diagram
GEM2034E-FIG203



NAME: 500903578 OBJECT: GEM2034E-FIG203 DATE: 03-Nov-06 13:53:10