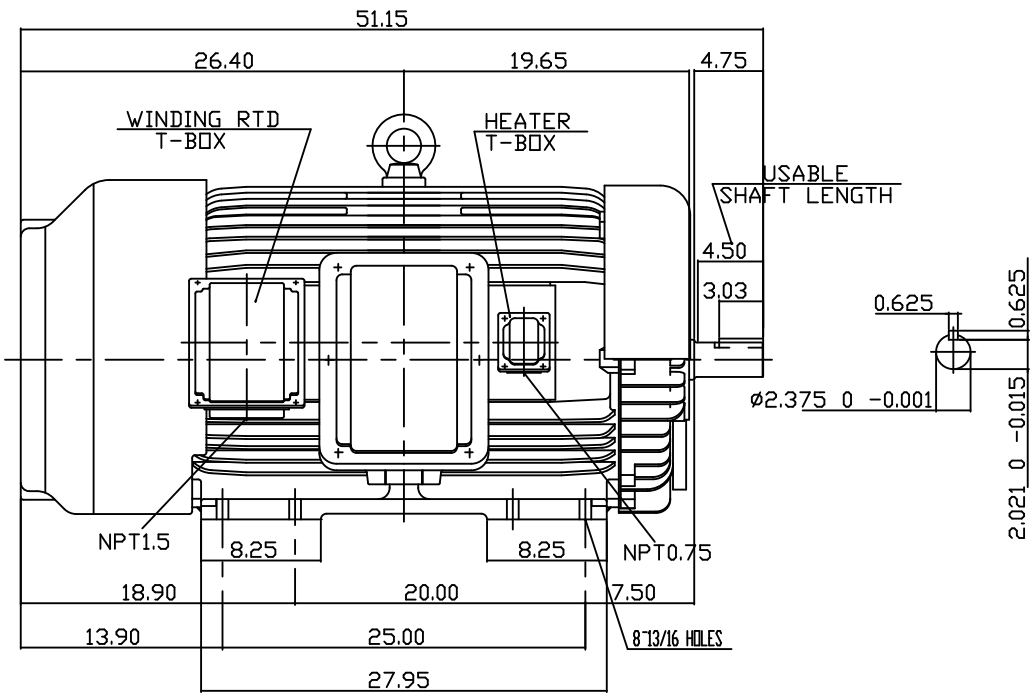
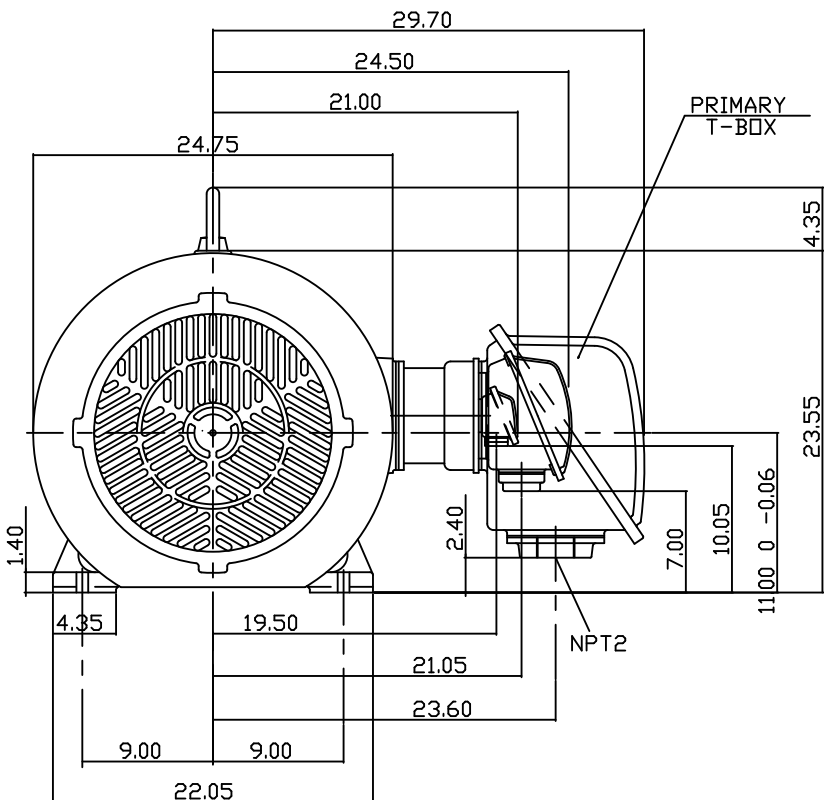


TYPE	OUTPUT		POLE	TIME RATING	VOLTAGE V	Hz	SYN.SPEED R.P.M
	HP.	kW.					
AEHGTK	200	149.2	2	CONT.	2300/4160	60	3600

TOTALLY ENCLOSED FAN-COOLED TYPE. SQUIRREL-CAGE ROTOR



- NOTE:
1. DIMENSIONS IN INCH
 2. FRAME NO. 449TS
 3. F CLASS INSULATION, S.F.1.15
 4. FOR DIRECT FLEXIBLE COUPLING
 5. WITH WINDING RTD & SPACE HEATER
 6. ENCLOSURE: IP55
 7. BEARING SIZE DRIVE END: 6314C3
NON-DRIVE END: 6314C3
 8. APPROX. WEIGHT: 2400 LBS

TW-56C

DATE: MAY 13, 2013	OUTLINE DIMENSIONS
CATALOG # KG2002	3-PHASE INDUCTION MOTOR
DWG NO. 3B040C100	REV: 00

DWN.	C. COOK	09-20-2013

