

Product Information Packet

January 12, 2017

Data shown is for the current revision model #. Ensure your nameplate model # matches.

Model Number:	5KS256CAA104B
Catalog Number:	E9626
Instruction Manual:	GEI-56128
Connection Diagram:	GEM2034E-FIG7
Outline Drawing:	4002B5825RAP5201

Accessory Connection Diagrams			
Bearing Thermocouple:	None	Heater:	None
RTD:	None	Thermistor:	None
Thermostat:	3027JE-2A	Winding Thermocouple:	None
Bearing RTD:	None		

Table of Contents	
Specification	01
Performance Characteristics	02
Outline Drawing	03
Connection Drawing(s)	04

Marks:

MODEL NUMBER:	5KS256CAA104B	Estimated Weight:	350 Lbs
Outline Drawing:	4002B5825RAP5201	Time Rating:	CONT
Connection Diagram:	GEM2034E-FIG7	Enclosure:	TEFC
Instruction Book:	GEI-56128	Encl Construction:	XP
Design Code:	25BD0010B	Ambient Max(°C):	40
Type:	KS	Alt Ambient Max(°C):	--
Frame:	256T	Insulation Class:	F
Phases:	3	NEMA Design:	B
Poles:	2	Nominal Efficiency:	91 %
Output Power:	20HP 14.8KW	Guaranteed Efficiency:	89.5
RPM:	3545	3/4 Load Efficiency:	92.5
Voltage:	575	KVA Code:	G
Hertz:	60	Max KVAR:	2.6
Amps - FL:	18.1	Power Factor:	91.0
Service Factor:	1.00	Bearing - DE:	6309ZC3
Alt Service Factor:	--	Bearing - ODE:	6309ZC3

Enclosure is Totally Enclosed Fan-Cooled

Stamped Nameplate Notes:

EXPLOSION PROOF MOTOR
 TEMP CODE T3C
 THERMOSTAT LEADS TB1-TB2
 STAMP NP249A5571AD "CL I (C & D) CL II (F & G)"

Additional Information:

2P - T EXTN
 STANDARD FLOOR MOUNT
 C/BOX 127 CU IN-1.25 NPT
 F1 CONDUIT BOX MOUNTING
 AUX LEADS EXIT WITH MOTOR LEADS
 CL I C & D CL II F & G EXPLOSION PROOF MOTOR

Performance Characteristics

1st Winding 1st Connection

Design: 25BD0010B

Marks:

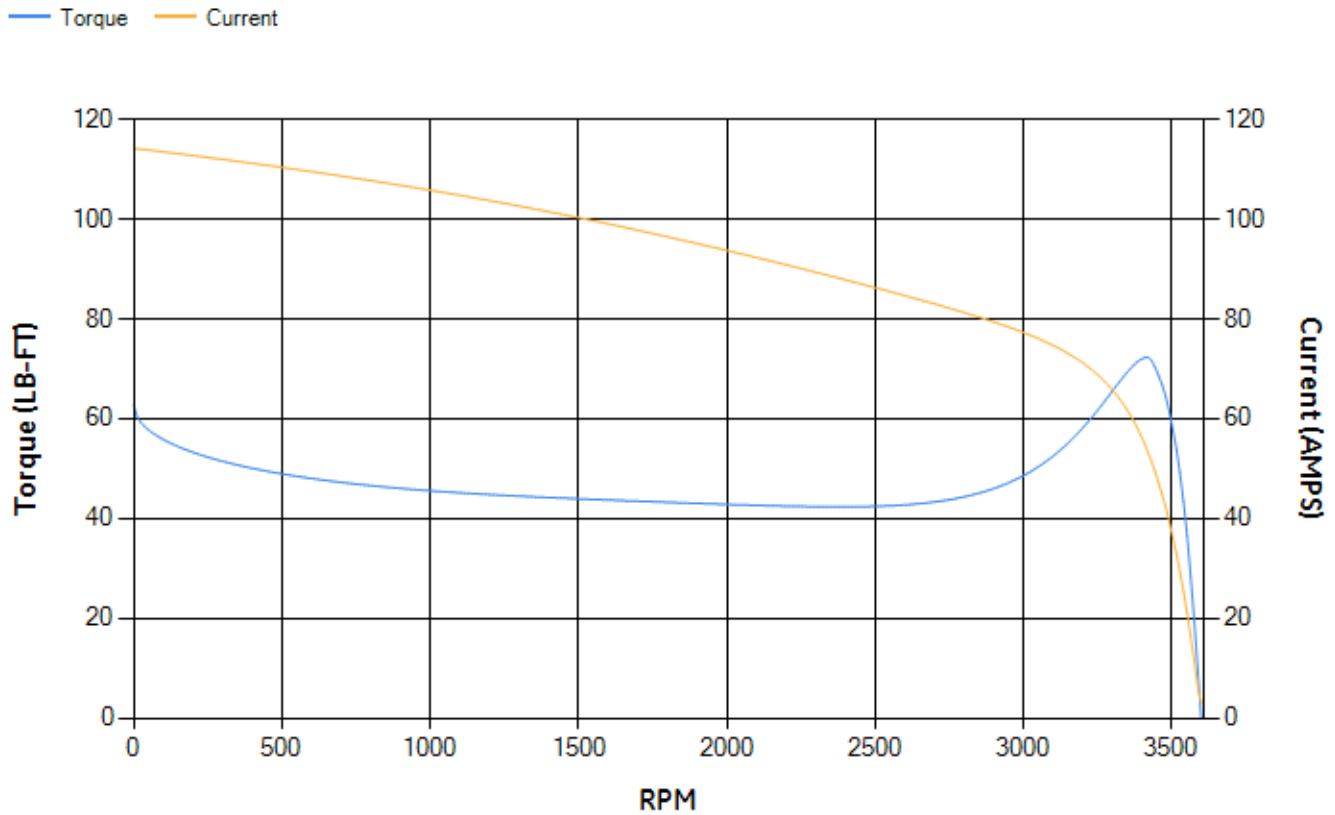
LOAD %	125.0	115.0	100.0	75.0	50.0	25.0	0.0
% EFF	89.4	90.22	91.45	92.48	92.86	90.72	0.00
% PF	89.23	90.05	90.87	91.14	89.02	77.98	10.44
AMPS	23.47	21.2	18.02	13.33	9.06	5.29	2.95

TORQ(FL)#FT	29.64	TORQ(LR)%FL	211.99	TORQ(BD)%FL	242.88
AMPS(LR)	114.19	PF AT START	0.32		

This motor is capable of two cold or one hot start with a maximum connected load inertia of 122 Lb-Ft Sq (5.14 Kg-meter Sq)at 100% voltage, where the load torque varies with the square of the speed. Acceleration time with maximum inertia and the above load type is 38 seconds. Safe stall time at 100% voltage is 83 seconds cold, 47 seconds hot. Rotor inertia is 1.57 Lb-Ft Sq (0.07 Kg-meter Sq).

Open Circuit A-C:	1.096	Short Circuit D-C:	0.013
Short Circuit A-C:	0.028	X/R Ratio:	4.727
Stator Slots:	36	Rotor Slots:	26

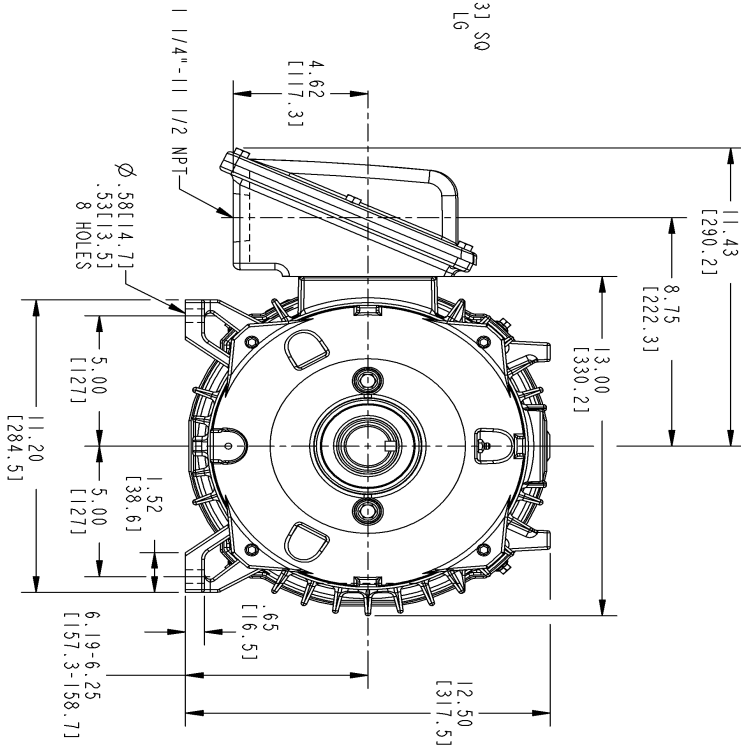
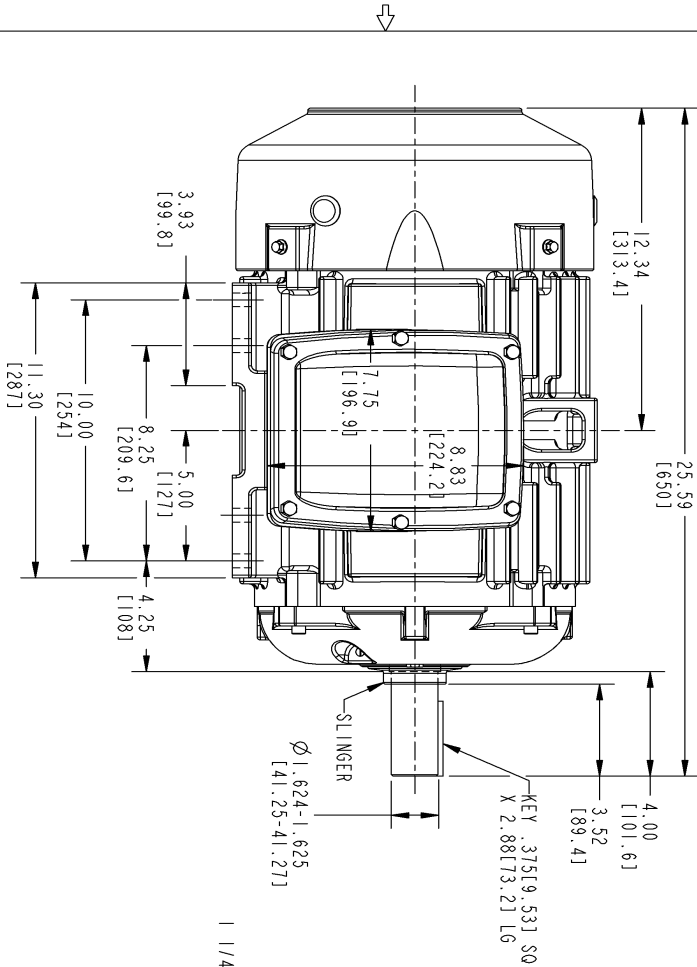
Speed Torque Current Curve (First Connection, First Speed)



NAME:500957145 OBJECT:4002B5825RAP5201 DATE:23-Nov-07 19:23:09

Marks:

NOTE 1 : CONDUIT BOX MAY BE ASSEMBLED WITH ENTRANCE UP, DOWN OR TO EITHER SIDE.
 NOTE 2 : F1 ASSEMBLY AS SHOWN. F2 ASSEMBLY CONDUIT BOX ON OPPOSITE SIDE FROM SHOWN LOCATION.

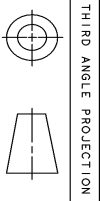


REV.	DESCRIPTION	DATE	APPROVED
1	DUAL DIMENSION ADDED	11/23/07	HEMANTH

SIZE DRAWING NO. 4002B5825RAP5201

SH 1 REV

REVISIONS



THIRD ANGLE PROJECTION

SIGNATURES	DATE
DRAWN GARY WARRNER JUN 21/02	
CHECKED GARY WARRNER JUN 21/02	
ISSUED GARY WARRNER JUL 04/02	

GE Industrial Systems
GENERAL ELECTRIC COMPANY
 Fort Wayne, Indiana

INDUCTION MOTOR OUTLINE
 STANDARD CONSTRUCTION
 FME: FR250T FCXR XSD ULTRA

SIZE DRAWING 4002B5825RAP5201 REV. 1
 SCALE: 0.250 REF. NO: 4002B5825RAP5201 SHEET 1 OF 1

DISTRIBUTION: PMP-18K15

Marks:

Connection Diagram
GEM2034E-FIG7



Thermostat Connection
3027JE-2A

