

GENERAL INFORMATION:

SHAFT RUNOUT: .001[.025] T.I.R. PER INCH LENGTH OF EXTENSION

END PLAY: .010 TO .063[.254 TO 1.600]

BEARINGS: SLEEVE

MOUNTING POSITION: HORIZONTAL

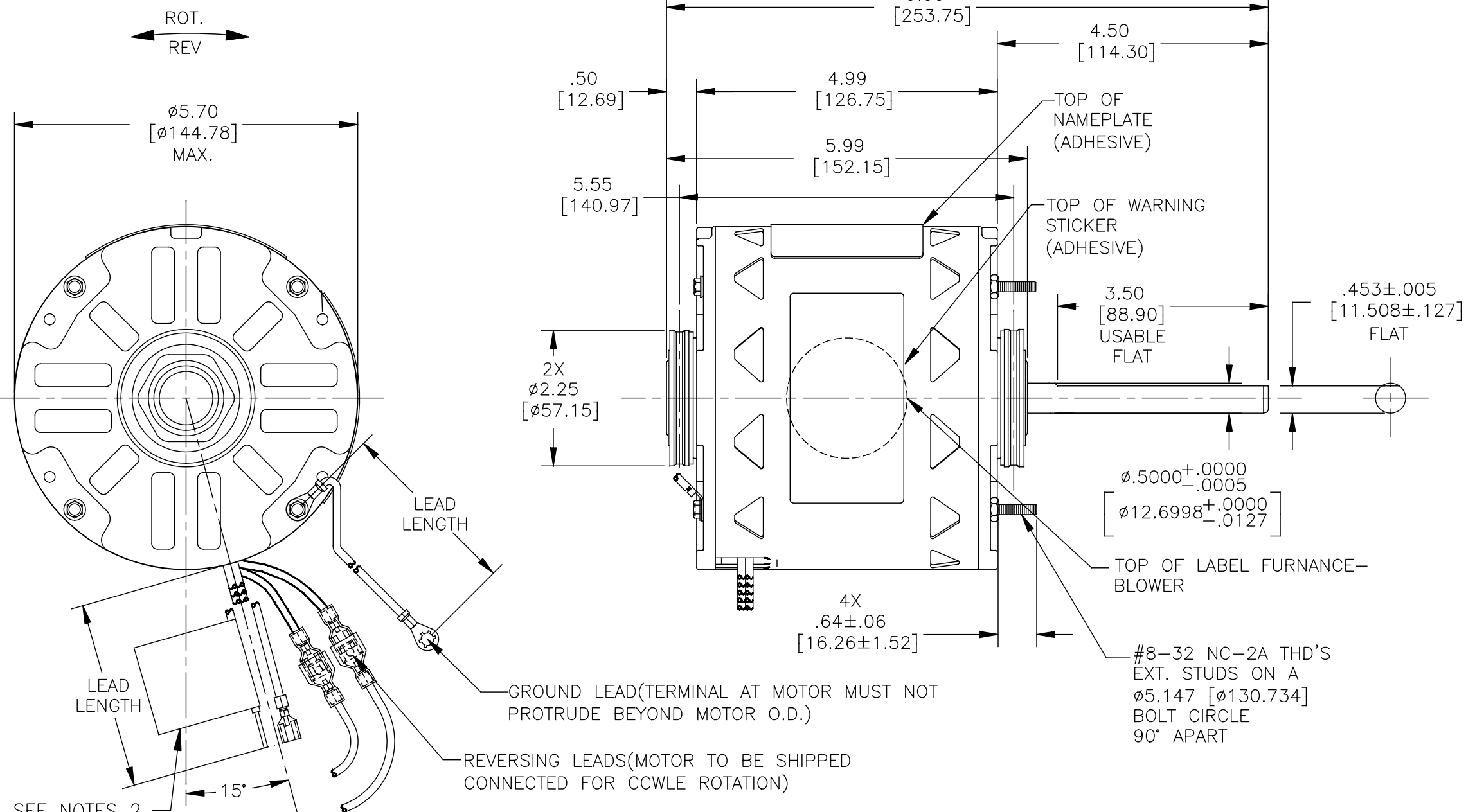
ELECTRICAL DATA:

OVERLOAD PROTECTOR: AUTOMATIC RESET (SENSATA 7AM 036)

LINE LEADS: NO. 18 GA., .03[.76] THK., 125°C INSUL.

REVERSING LEADS: NO. 18 GA., .03[.76] THK., 125°C INSUL.

GROUND LEADS: NO. 18 GA., .03[.76] THK., (GREEN) INSUL.



SEE NOTES 2

GREEN (GRD)	9.0/11.0 [229.6/279.4]	10# EYELET
WHITE (REV)	4.0/6.0 [101.6/152.4]	.25[6.35] PER-INSUL. MALE TAB
PURPLE (REV)	4.0/6.0 [101.6/152.4]	.25[6.35] PER-INSUL. FEMALE SPADE
ORANGE (REV)	4.0/6.0 [101.6/152.4]	.25[6.35] PER-INSUL. MALE TAB
BROWN (REV)	4.0/6.0 [101.6/152.4]	.25[6.35] PER-INSUL. FEMALE SPADE
BROWN	25.0/27.0 [635.0/685.8]	.25[6.35] FEMALE SPADE
BROWN/WHITE	25.0/27.0 [635.0/685.8]	.25[6.35] FEMALE SPADE
WHITE	25.0/27.0 [635.0/685.8]	.60[15.24] SKIN
BLACK	25.0/27.0 [635.0/685.8]	.60[15.24] SKIN
BLUE	25.0/27.0 [635.0/685.8]	.60[15.24] SKIN
RED	25.0/27.0 [635.0/685.8]	.60[15.24] SKIN
COLOR	LENGTH	TERMINAL OR STRIP LENGTH

NOTES:

- SPLIT RING ADAPTOR 615035 (4 REQ'D) TO BE PACKED WITH EACH MOTOR.
- ATTACH WARNING/CONNECTION LABEL TO COMMON (WHITE) LEAD APPROX. 2.0[51] FROM MOTOR (ADHESIVE)

REGAL-BELOIT CORPORATION (RBC) PROVIDES TECHNICAL ASSISTANCE TO OUR CUSTOMERS IN SEVERAL AREAS. SINCE RBC DOES NOT RECEIVE ALL DATA CONCERNING THE USE AND APPLICATION OF THE MOTOR, THE SUITABILITY OF THE MOTOR FOR THE APPLICATION MUST BE DETERMINED BY THE CUSTOMER.

DIMENSIONS WITHOUT TOLERANCES ARE FOR REFERENCE ONLY.

MAIN FRAME - OLE	OPEN
END FRAME - OLE	OPEN
MAIN FRAME - LE	OPEN
END FRAME - LE	OPEN

CUSTOMER	DISTRIBUTION SERVICES
----------	-----------------------

NAMEPLATE DATA:	EXTERNAL CONNECTION DIAGRAM
MODEL: F48AH20A01 CUST. P/N: DL1056 HP: 1/2 ROT: REVERSIBLE RPM: 1075/3 SPD TYPE: UF FRAME: 48 VOLTS: 115 PH: 1 AMPS: 7.1 HZ: 60 INS: B AMB: 40 °C DUTY: AIR OVER CODE: - CAP.: 10 MFD/370V ENCL: OPEN UL LOGO CSA LOGO THERMALLY PROTECTED	

D0000607-001

PERFORMANCE CURVE NO.	TORQUE @ 1075 RPM (25°C)	APPROVED SAMPLE	UL COMPONENT		CSA	
			FILE #	CCN #	FILE #	CLASS #
C0000955	52.0 OZ.FT.	OER-0009883	E46412	PRGY2	LR43341	4211-01

DRAWING REVISION	REVISION BY	DATE
G	C.ZHOU	07-01-2016
ECO	APPROVED BY	DATE
ECO-0105191	D.LI	07-01-2016
ECO DESCRIPTION		
SEE ECO		

COPYRIGHT REGAL-BELOIT AMERICA, INC. ALL RIGHTS RESERVED. PROPRIETARY AND CONFIDENTIAL INFORMATION - THIS DOCUMENT IS THE PROPERTY OF REGAL-BELOIT AMERICA, INC. (OWNER) AND CONTAINS OWNER'S PROPRIETARY INFORMATION. ANY PERSON, CORPORATION OR OTHER FIRM RECEIVING IT IS DEEMED, BY RECEIVING IT, TO AGREE THAT IT, AND/OR ANY PART OF IT, SHALL NOT BE DISCLOSED TO ANY PERSON, CORPORATION OR OTHER ENTITY, DUPLICATED, AND/OR USED, EXCEPT AS EXPRESSLY APPROVED IN WRITING IN ADVANCE BY OWNER. THIS DOCUMENT SHALL BE RETURNED TO OWNER UPON REQUEST. IT MAY BE SUBJECT TO CERTAIN RESTRICTIONS UNDER APPLICABLE EXPORT CONTROL LAWS AND REGULATIONS.

DRAWN BY:	N. HONG	Regal Beloit America, Inc.
DATE:	08-10-2012	
APPROVED BY:	B. SHEN	DESCRIPTION
DATE:	08-10-2012	MODEL-RFHP-48FR
PROCESS/FINISH	-	OUTLINE
THIRD ANGLE PROJECTION		MATERIAL
SIZE	DWG NO	
C	DL1056	
		SHEET
		1