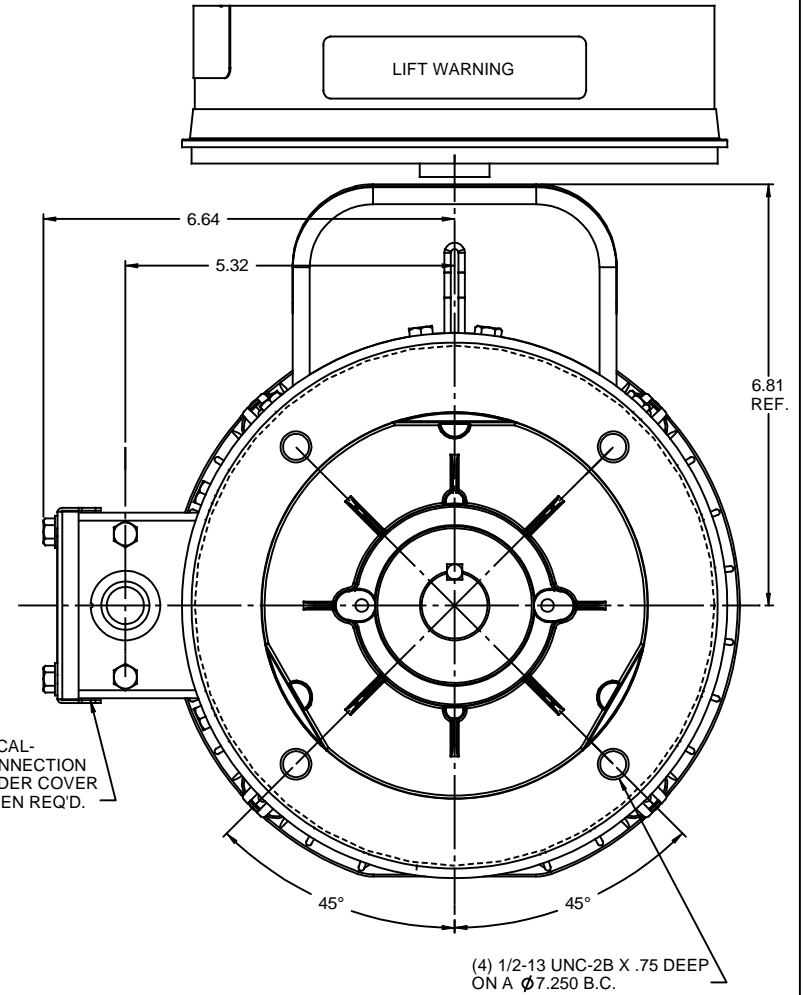
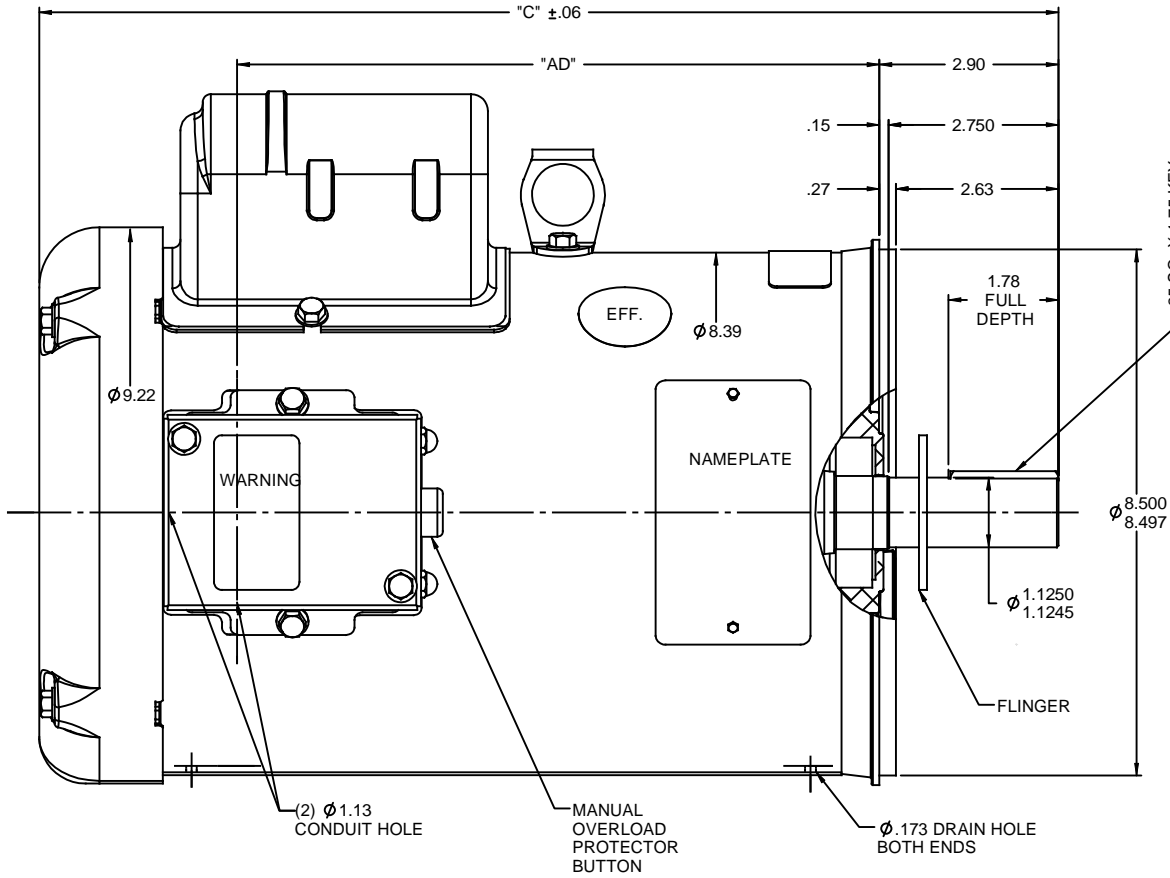


RBC PROPRIETARY AND CONFIDENTIAL INFORMATION  
 This document is the property of REGAL BELOIT CORPORATION ("RBC") including its subsidiaries and divisions and contains proprietary information of RBC. This document is loaned on the express condition that neither it nor the information contained therein shall be disclosed to others without the express written consent of RBC, and that the information shall be used by the recipient only as approved expressly by RBC. This document shall be returned to RBC upon its request. This document may be subject to certain restrictions under U.S. export control laws and regulations.



DASH NO.	"C"	"AD"
750	12.94	6.87
800	13.44	7.37
850	13.94	7.87
900	14.44	8.37
950	14.94	8.87
1000	15.44	9.37
1050	15.94	9.87
1100	16.44	10.37
1150	16.94	10.87
1200	17.44	11.37

**MOTOR SPECIAL FEATURES**  
 GASKETS THROUGHOUT  
 DRAIN HOLES IN FRAME (UNPLUGGED)  
 MANUAL RESET OVERLOAD BUTTON  
 DOUBLE SEALED BALL BEARINGS  
 FLINGER

MAXIMUM FACE RUNOUT TO BE .004 T.I.R.  
 MAXIMUM PILOT ECCENTRICITY TO BE .004 T.I.R.  
 PERMISSIBLE SHAFT RUNOUT TO BE .002 T.I.R.

REVISION		BY & DATE	CHK	ANG	FINISH	SIZE	DRAWING NO	REV
- UPDATED & REDRAWN ON SOLIDWORKS		LST 11/11/2009	XX	XXX	±.0005	B	035379	-
NO			RFP		PREV			
THIRD ANGLE PROJECTION								
					NETWORK FILE NAME			

TOLERANCES UNLESS SPECIFIED:  
 DEC INCHES  
 X ±.1  
 .XX ±.01  
 .XXX ±.005  
 .XXX ±.0005

REGAL BELOIT CORPORATION  
 TITLE OUTLINE - 180TC FRAME  
 TEFC - "C" FACE  
 MATL FARM DUTY MOTOR

DRAWN PG 10/28/97  
 CHK RK 10/28/97  
 APPR  
 SCALE 1:2  
 REF 035222  
 FMF

PAGE OF  
 SIZE B  
 DRAWING NO 035379  
 REV -