

No reproduction of this drawing is allowed without written permission of WEG Motores

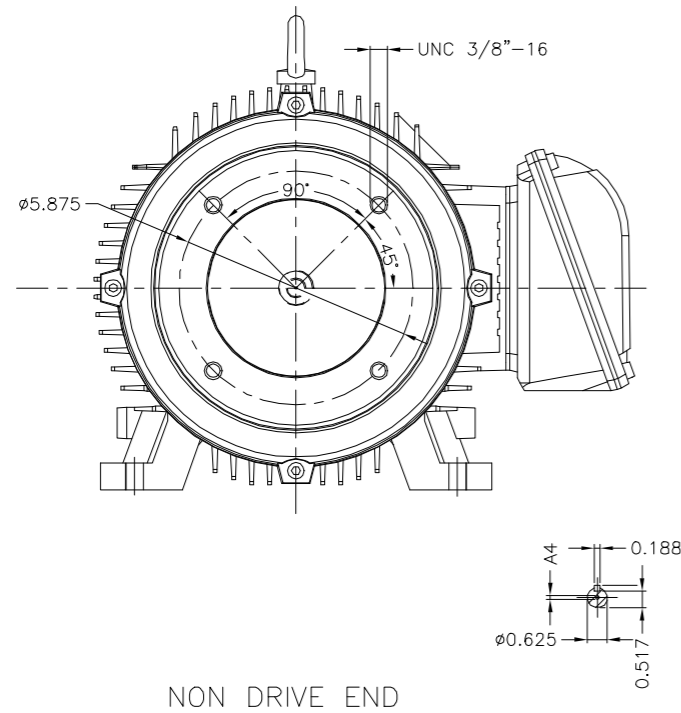
EIXO	
PADRÃO	
OPCIONAL	
ESPECIAL	X

Dimensões em polegadas
Dimensions in inches

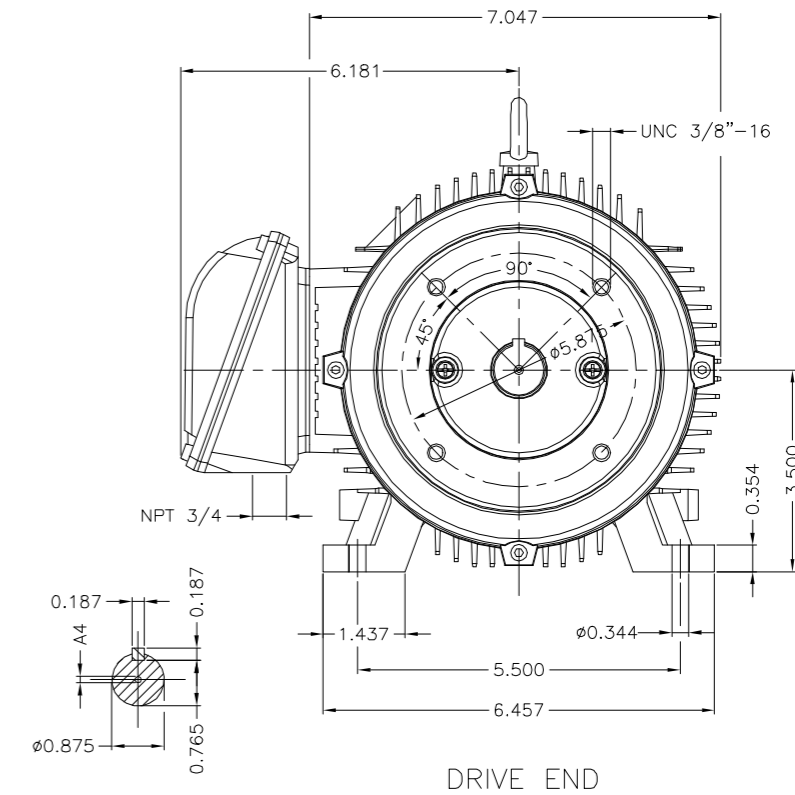
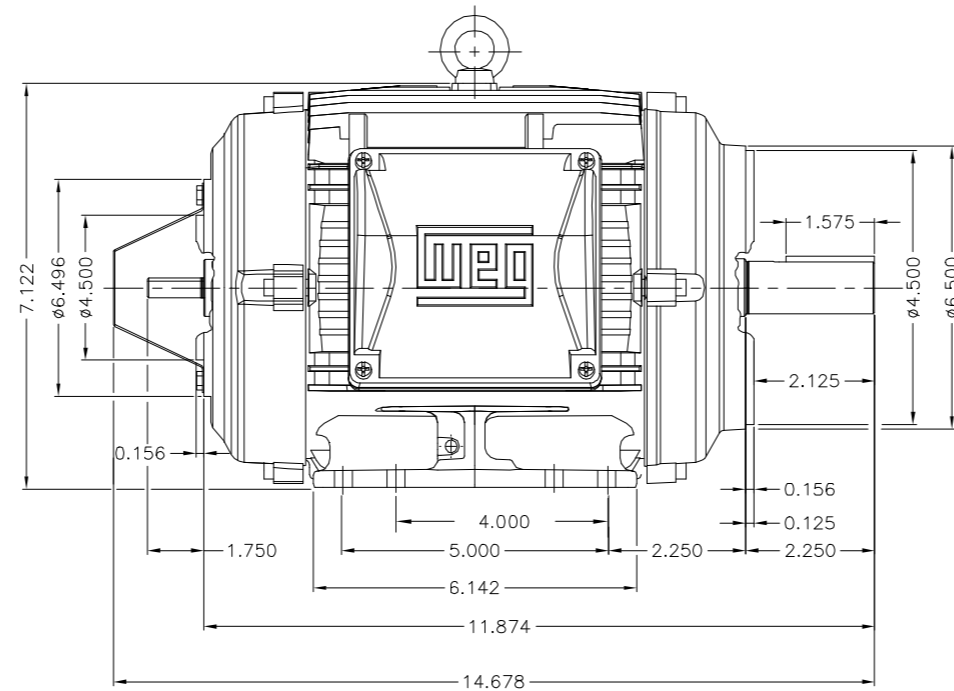
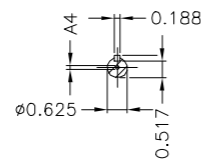
PRELIMINARY DOCUMENT

Not to be used for installation purposes.

THIS IS AN UPDATED REVISION, THE PREVIOUS ONE MUST BE DISREGARDED.



NON DRIVE END



DRIVE END

Sin ventilador / Without fan						
Rodamiento delantero con blindaje ZZ / DE-bearing with double shield-ZZ						
Termostato 155°C - Desconexión / Thermostats 155°C to trip						
Sin deflectora / Without fan cover						
/ NDE-bearing with double shield-ZZ						
Anillo fijación del rodamiento / Bearing cap						
Plan de pintura 207A / Painting plan 207A						
Forma constructiva NEMA F-1 / Mounting NEMA F-1						
Forma constructiva B34R(D) / Mounting B34R(D)						
WEG ELECTRIC CORPORATION - WEC						

OV: 3030514
PC: Vector Duty

500001022623	DOCUMENTO NOVO	OLOPEZ	AZUE	09.04.2015	01			
500000841966	DOCUMENTO NOVO	RALCANTARA	AZUE	06.01.2014	00			
ECM	LOC	SUMMARY OF MODIFICATIONS		EXECUTED	CHECKED	RELEASED	DATE	VER
EXECUTED	RALCANTARA	THREE PHASE W22 MOTOR - NEMA PREMIUM EFF						
CHECKED		FRAME 143/5TC IP55						
RELEASED	AZUE							
REL DT	06.01.2014	WMX	HUEHUETOCA	INGENIERA DEL PRODUCTO	10002647739	000	01	
					SHEET	1	/	1

1.5 HP 04 Poles 60Hz 413289590/0



UNCONTROLLED COPY

RELEASED

ZME A3