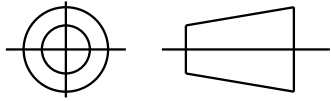


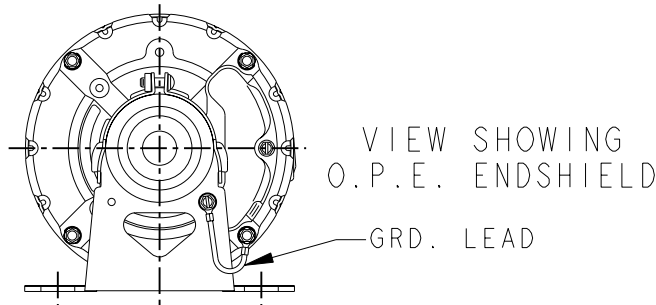
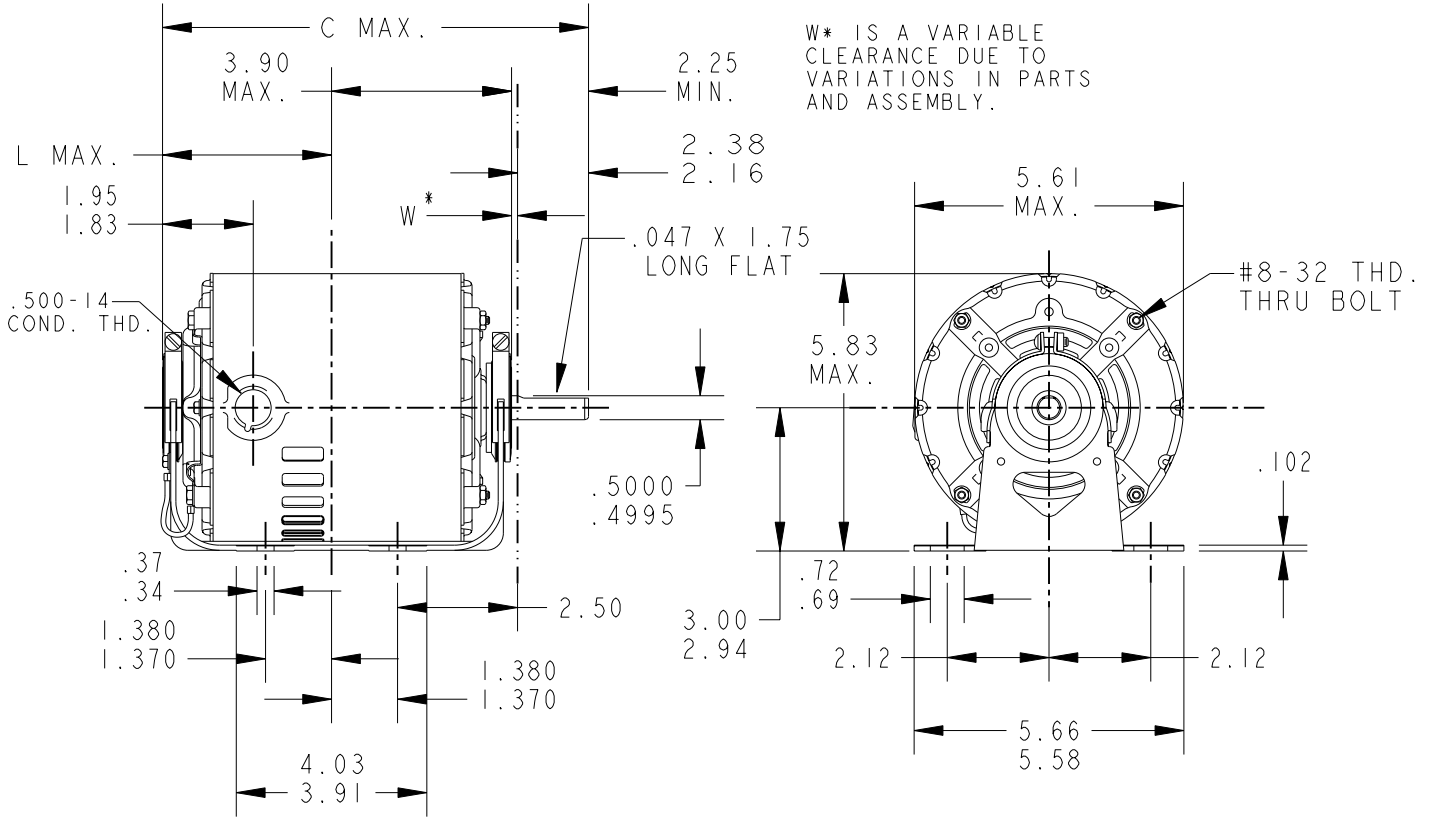
SHEET 1  
REV 2  
52A109864  
SIZE A  
DRAWING NO.

THIRD ANGLE PROJECTION



REVISIONS

REV.	DESCRIPTION	DATE	APPROVED
1	ADDED PART #4.	10/08/96	M.D.PAPE
2	CHG TO RBC FORMAT PER ISO5-1777	04/03/06	SUDHA



4	KH	36	48Z	10.80	4.65
3	KH	35	48Z	10.37	4.22
2	KH	33	48Z	9.99	3.84
1	KH	32	48Z	9.74	3.59
P	TYPE	GE SIZE	NEMA FR	C	L

SIGNATURES		DATE
MODEL	M.D.PAPE	10/02/96
DETAIL	.	.
CHECKED	.	.
ENGRG	.	.
MFG	.	.
QUALITY	.	.
ISSUED	M.D.PAPE	10/02/96
SOLID MODEL: 52A109864		



REGAL-BELOIT CORPORATION

TITLE

OUTLINE

FORM N GENERAL PURPOSE MOTOR - DP -  
BALL BEARING - RESIL BASE

SIZE A DRAWING

52A109864

REV 2

SCALE: 0.250

REF. No: .

SHEET 1 of 1

FOR ADDITIONAL INFO REFER TO:

APPLIED PRACTICES

DIMENSIONS ARE IN INCHES ✓

MATERIAL