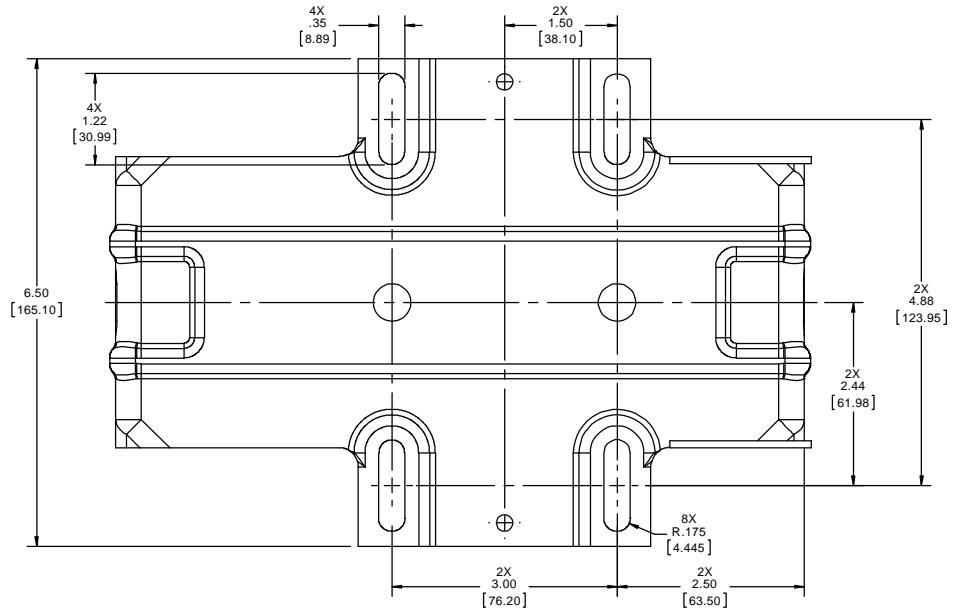
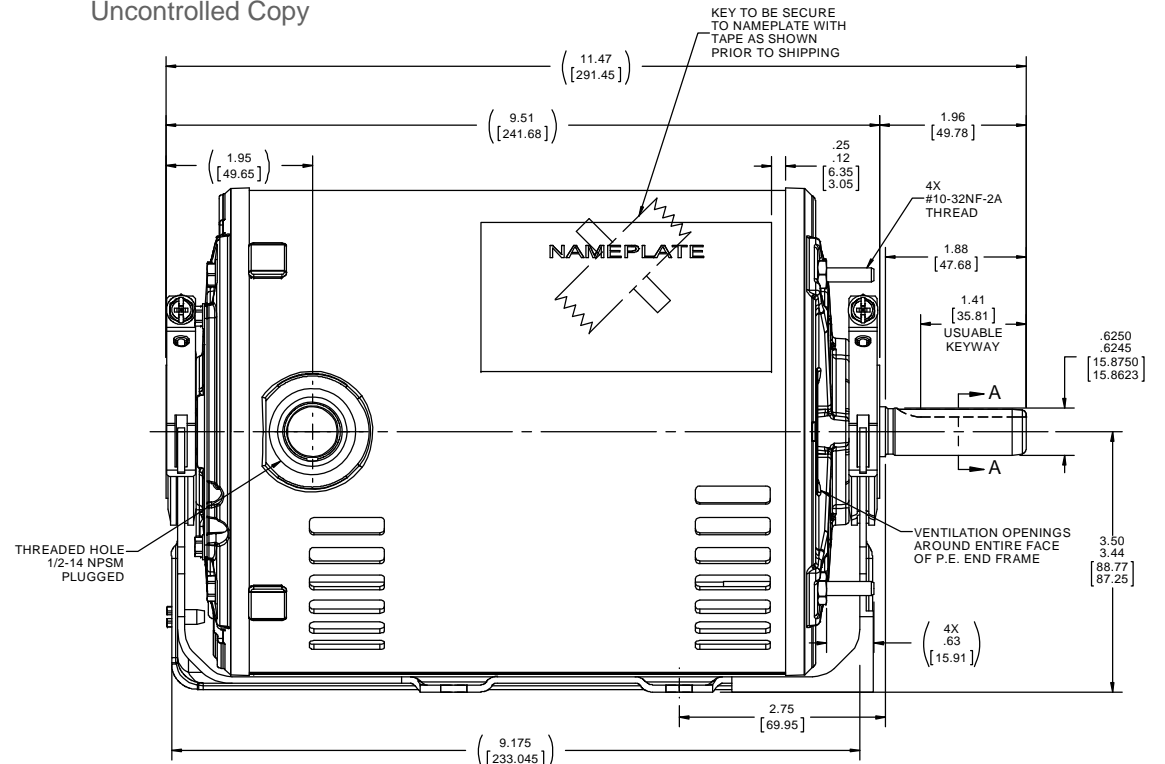
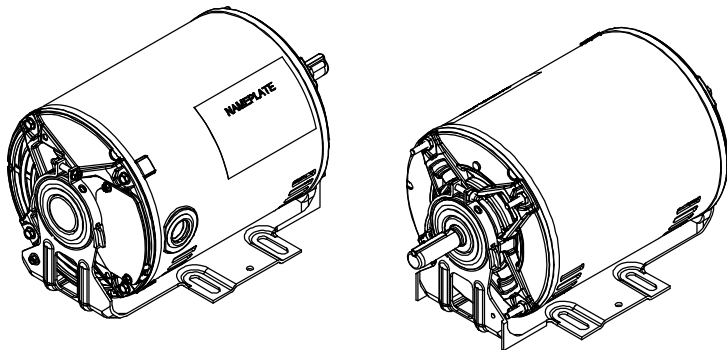


SECTION A-A



DRAWING REVISION B	REVISION BY KHADHAR	DATE 01/11/2019	TOLERANCES UNLESS OTHERWISE SPECIFIED: DEC. INCH mm ANGLE	DRAWN BY D.VALENCIANO	Regal Beloit America, Inc.
ECO ECO-0159009	APPROVED BY D.SURYAWANSHI	DATE 01/11/2019	.X ±0.1 [±2.5] 30.5° .XX ±0.03 [±0.76] .XXX ±0.005 [±0.127] .XXXX ±0.0005 [±0.0127]	DATE 04-19-2016	
ECO DESCRIPTION UPDATED MODEL			REMOVE BURRS & BREAK SHARP EDGES: .0031 [0.078] X 45° CORNER FILLETS: 1. R.02 [51] MACHINED SURFACES: 125 3/2 INCH/mil	APPROVED BY J.ORTEGA	DESCRIPTION OUTLINE 56FR,DP,1-PHASE
<small>COPYRIGHT REGAL BELOIT AMERICA, INC. ALL RIGHTS RESERVED. PROPRIETARY AND CONFIDENTIAL INFORMATION. THIS DOCUMENT IS THE PROPERTY OF REGAL BELOIT AMERICA, INC. OWNERS AND CONTAINS OWNERS PROPRIETARY INFORMATION. ANY PERSON, CORPORATION OR OTHER FIRM RECEIVING IT IS DEEMED BY RECEIVING IT, TO AGREE THAT IT, AND/OR ANY PART OF IT, SHALL NOT BE DISCLOSED TO ANY PERSON, CORPORATION OR OTHER ENTITY, DUPLICATED, AND/OR USED, EXCEPT AS EXPRESSLY APPROVED IN WRITING IN ADVANCE BY OWNER. THIS DOCUMENT SHALL BE RETURNED TO OWNER UPON REQUEST. IT MAY BE SUBJECT TO CERTAIN RESTRICTIONS UNDER APPLICABLE EXPORT CONTROL LAWS AND REGULATIONS.</small>			REFERENCE SKH40PN6055X	DATE 04-19-2016	MATERIAL
			THIRD ANGLE PROJECTION	SIZE C	DRAWING NUMBER OL56100065-001
					PROCESS/FINISH
					SHEET 1 OF 1