

Product Information Packet

November 9, 2016

Data shown is for the current revision model #. Ensure your nameplate model # matches.

| | |
|----------------------------|----------------------|
| Model Number: | 5KS215STE205A |
| Catalog Number: | M7729 |
| Instruction Manual: | GEI-M1031 |
| Connection Diagram: | GEM2034E-FIG210 |
| Outline Drawing: | 358B6271AB |

| Accessory Connection Diagrams | | | |
|-------------------------------|------|------------------------------|------|
| Bearing Thermocouple: | None | Heater: | None |
| RTD: | None | Thermistor: | None |
| Thermostat: | None | Winding Thermocouple: | None |
| Bearing RTD: | None | | |

| Table of Contents | |
|-----------------------------|----|
| Specification | 01 |
| Performance Characteristics | 02 |
| Outline Drawing | 03 |
| Connection Drawing(s) | 04 |

Marks:

| | | | |
|----------------------------|----------------------|-------------------------------|----------|
| MODEL NUMBER: | 5KS215STE205A | Estimated Weight: | 202 Lbs |
| Outline Drawing: | 358B6271AB | Time Rating: | CONT |
| Connection Diagram: | GEM2034E-FIG210 | Enclosure: | TEFC |
| Instruction Book: | GEI-M1031 | Encl Construction: | SD |
| Design Code: | 21AD1015A | Ambient Max(°C): | 40 |
| Type: | KS | Alt Ambient Max(°C): | -- |
| Frame: | 215T | Insulation Class: | F |
| Phases: | 3 | NEMA Design: | A |
| Poles: | 4 | Nominal Efficiency: | 91.7 % |
| Output Power: | 10HP 7.4KW | Guaranteed Efficiency: | 90.2 |
| RPM: | 1760 | 3/4 Load Efficiency: | 92.6 |
| Voltage: | 230/460 | KVA Code: | J |
| Hertz: | 60 | Max KVAR: | 3.2 |
| Amps - FL: | 24.4/12.2 | Power Factor: | 84 |
| Service Factor: | 1.15 | Bearing - DE: | 6308ZZC3 |
| Alt Service Factor: | -- | Bearing - ODE: | 6208ZZC3 |

Enclosure is Totally Enclosed Fan-Cooled

Stamped Nameplate Notes:

USABLE AT 200V @ 10 HP,27.3 AMPS @ 1.0 SF

LRA: 194.6/97.3

50HZ DATA: 7.5HP,200/400V,24.4/12.2 AMPS @ 1.15 SF

50HZ DATA: 10 HP,200/400V,27.6/13.8 AMPS @ 1.00 SF

GREASE TYPE: SHELL ALVANIA R3 LITHIUM GREASE

Additional Information:

CONDUIT BOX MATERIAL: CAST IRON

SUITABLE FOR USE IN CLASS I DIVISION 2 LOCATIONS

CLASS I DIVISION 2 GROUPS A,B,C,D T3C

CLASS I ZONE 2 IIC T3C



Performance Characteristics

1st Winding 1st Connection

Design: 21AD1015A

Marks:

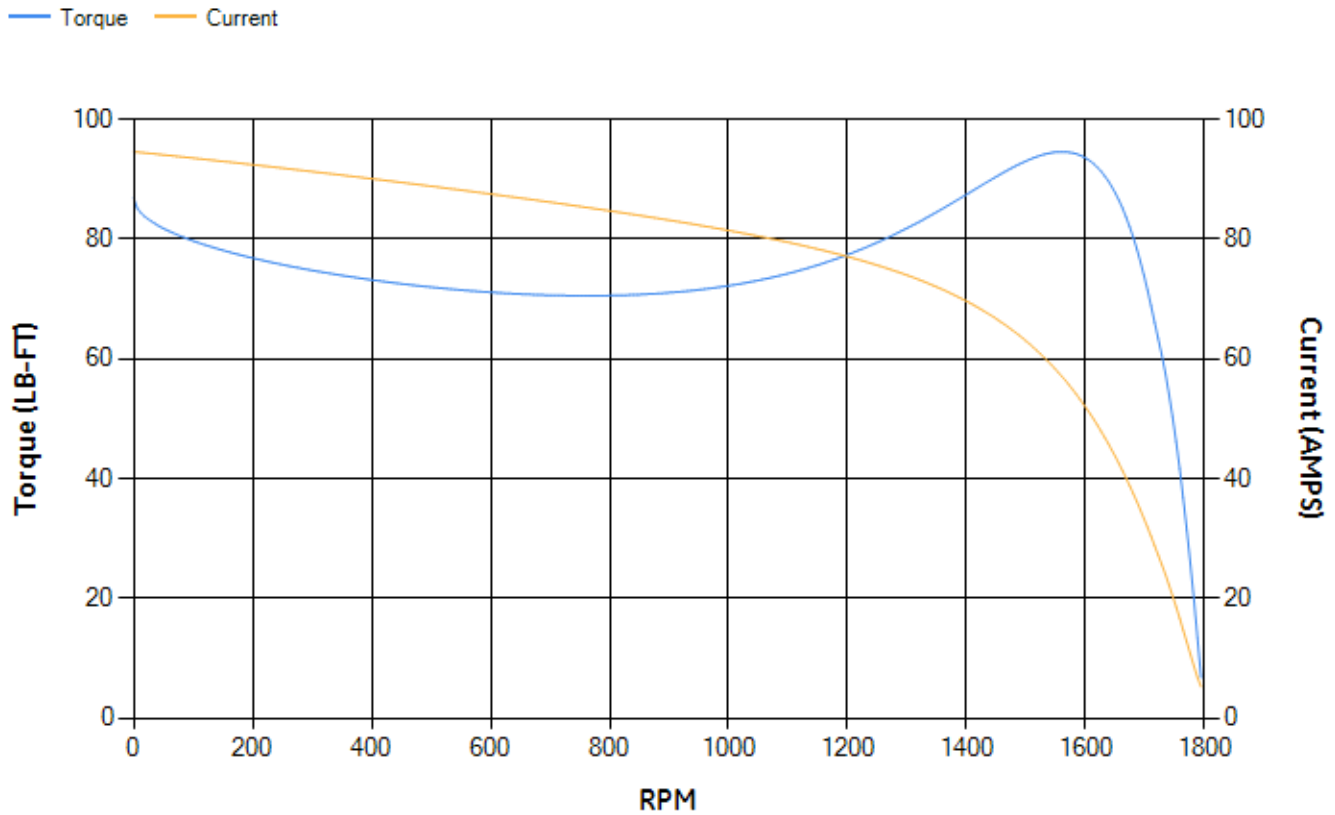
| LOAD % | 125.0 | 115.0 | 100.0 | 75.0 | 50.0 | 25.0 | 0.0 |
|--------|-------|-------|-------|-------|-------|-------|------|
| % EFF | 90.71 | 91.22 | 92.07 | 92.57 | 92.41 | 89.33 | 0.00 |
| % PF | 85.34 | 84.92 | 83.79 | 79.82 | 70.62 | 49.01 | 5.2 |
| AMPS | 15.11 | 13.89 | 12.13 | 9.5 | 7.17 | 5.34 | 4.43 |

| | | | | | |
|--------------------|-------|--------------------|--------|--------------------|--------|
| TORQ(FL)#FT | 29.81 | TORQ(LR)%FL | 291.47 | TORQ(BD)%FL | 314.44 |
| AMPS(LR) | 94.59 | PF AT START | 0.43 | | |

This motor is capable of two cold or one hot start with a maximum connected load inertia of 285 Lb-Ft Sq (12 Kg-meter Sq)at 100% voltage, where the load torque varies with the square of the speed. Acceleration time with maximum inertia and the above load type is 25 seconds. Safe stall time at 100% voltage is 78 seconds cold, 43 seconds hot. Rotor inertia is 1.16 Lb-Ft Sq (0.05 Kg-meter Sq).

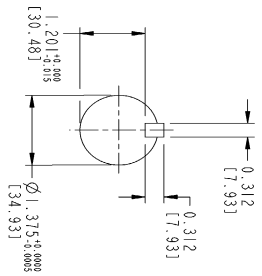
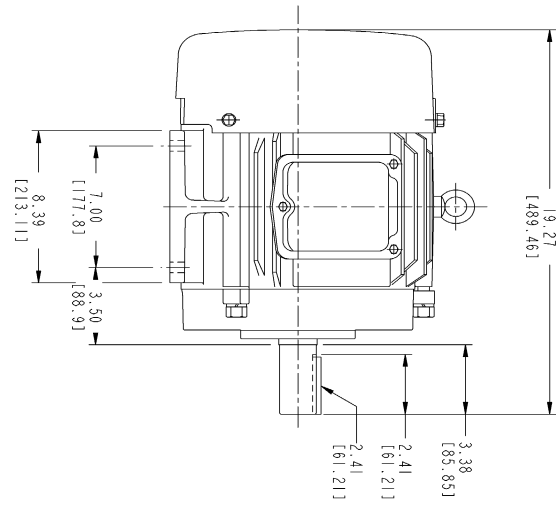
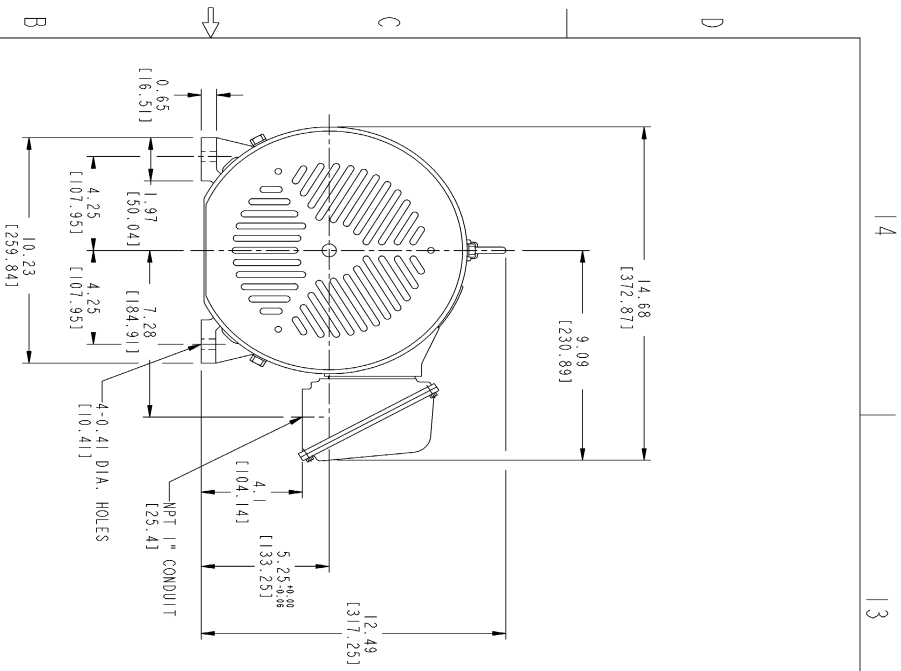
| | | | |
|---------------------------|-------|---------------------------|-------|
| Open Circuit A-C: | 0.334 | Short Circuit D-C: | 0.011 |
| Short Circuit A-C: | 0.014 | X/R Ratio: | 4.157 |
| Stator Slots: | 48 | Rotor Slots: | 40 |

Speed Torque Current Curve (First Connection, First Speed)

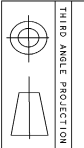


NAME:501291659 OBJECT:358B6271AB DATE:05-Dec-07 10:11:48

Marks:



- NOTES :
1. DIMENSIONS ARE IN INCHES.
 2. F-1 ASW AS SHOWN.
 3. F-2 ASW - HAS CONDUIT BOX ON OPPOSITE SIDE.
 4. BRACKETED DIMENSIONS ARE METRIC (MILLIMETERS)
 5. IC411, IP54, IMB34 APPLY



THIRD ANGLE PROJECTION

Part must conform to SI 9000000 Sect 4, Toxicity Procedure

| FOR ADDITIONAL INFO REFER TO: | SIGNATURES | DATE |
|---|-------------|----------|
| REFLECTED DIMENSIONS | MODEL | |
| UNLESS OTHERWISE SPECIFIED DIMENSIONS ARE IN INCHES | DESIGNED BY | 11/05/07 |
| 2 PL DECIMALS ± | CHECKED BY | 11/05/07 |
| 3 PL DECIMALS ± | DATE | 11/05/07 |
| ANGLES ± | ISSUED BY | 11/05/07 |
| FRACTIONS ± | ISSUED DATE | |
| FINISH | | |

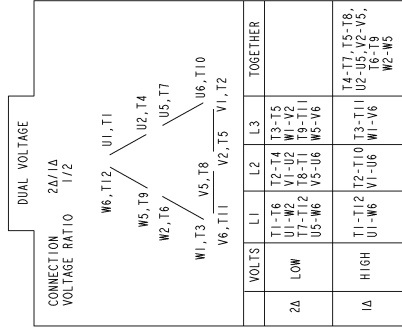
| | | | |
|--|----------|---------------------------------|----------|
| GE Consumer & Industrial | | GENERAL ELECTRIC COMPANY | |
| OUTLINE | | | |
| F1D - 21ST TERC GE MARK | | | |
| 66.7 CU IN CONDUIT BOX | | | |
| TITLE F1D - 21ST TERC GE MARK 66.7 CU IN CONDUIT BOX | SCALE: C | DRAWING 358B6271AB | REV 0 |

| | | | |
|------|-------------|------|----------|
| REV. | DESCRIPTION | DATE | APPROVED |
| | | | |
| | | | |

TITLE DRAWING NO. **358B6271AB** REV. **0** SHEET **1** OF **1**
 REVISIONS

Marks:

Connection Diagram
GEM2034E-FIG210



NAME:501452353 OBJECT:GEM2034E-FIG210 DATE:25-Feb-08 14:03:35

