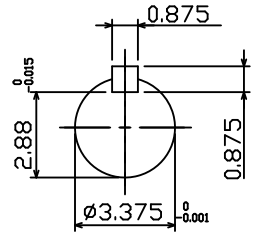
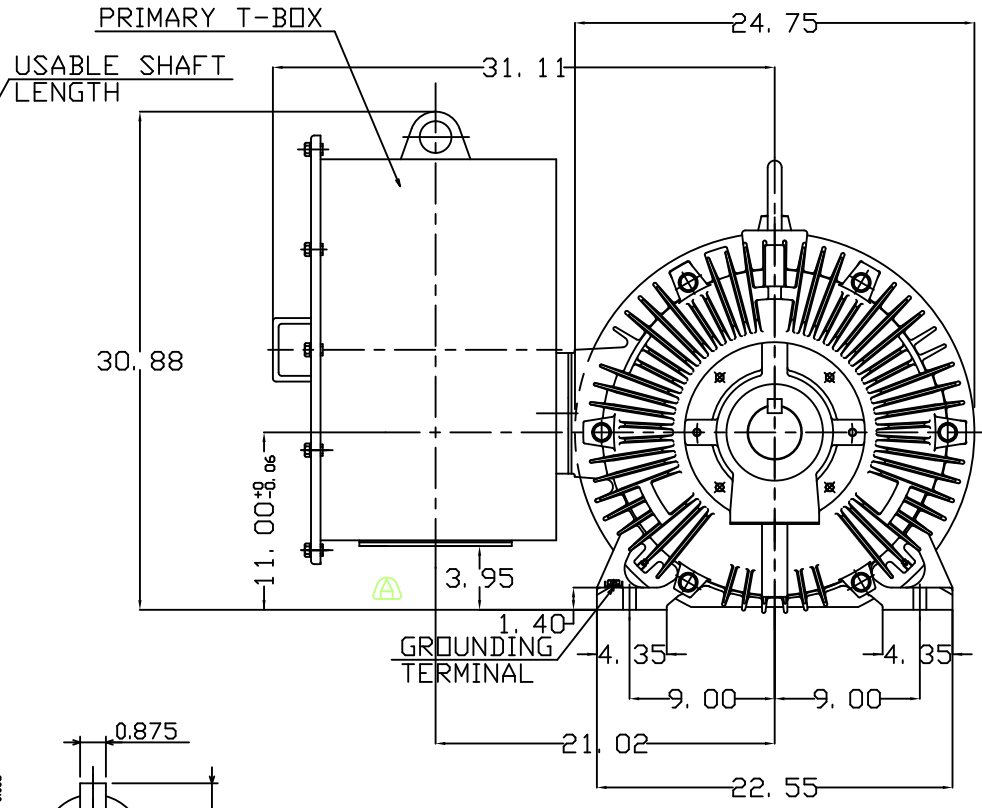
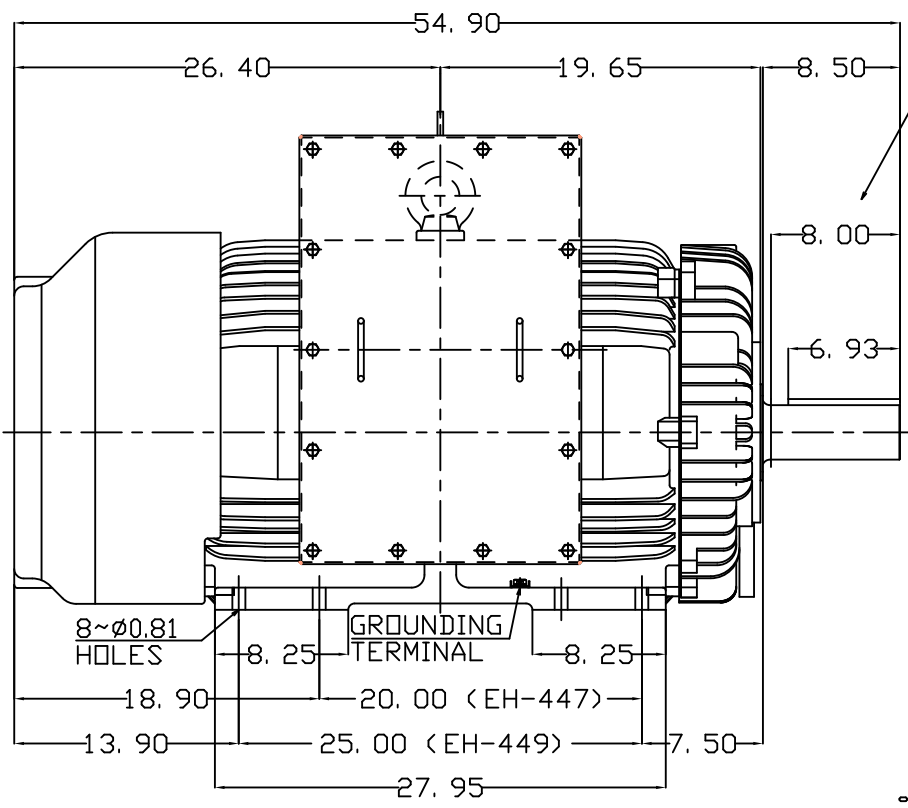


TYPE	OUTPUT		POLE	TIME RATING	VOLTAGE V	Hz	SYN.SPEED R.P.M
	HP.	kW.					
AEHH8B	250	187	4	CONT.	460	60	1800

TOTALLY ENCLOSED FAN-COOLED TYPE, SQUIRREL CAGE ROTOR



SHAFT END  
(ENLARGED VIEW)

REMOVABLE COVER FOR CABLE ENTRY TO BE DRILLED BY THE CUSTOMER.

- NOTE:
1. DIMENSIONS IN INCHES
  2. FRAME NO. 449T
  3. F CLASS INSULATION, S. F. 1. 15
  4. FOR DIRECT FLEXIBLE COUPLING
  5. ENCLOSURE: IP55
  6. BEARING SIZE: DRIVE END 6320C3  
NON-DRIVE END 6316C3
  7. BOTH ENDS BEARING WITH INPRO SEAL
  8. NON-SPARKING FAN
  9. MOTOR APPROX. WEIGHT: 2420 lb
  10. VIBRATION: VERTICAL/HORIZONTAL BELOW 0.08 IN/SEC  
AXIAL BELOW 0.06 IN/SEC
  11. NOISE: BELOW 83dBA AT 1 METER DISTANCE NO LOAD
  12. CORROSION PROOF
  13. CLASS I , DIVISION 2 , GROUP B/C/D , T3

R.S.V.	C.RAM	NOV 4 2014
DWN.	C.H.SHYU	SEP-14 -2013
CHKD.	K.L.KDU	SEP-14 -2013
APPD.	S.H.LIN	SEP-14 -2013

DATE		OUTLINE DIMENSIONS	
NOV. 4, 2014		3-PHASE INDUCTION MOTOR	
CATALOG# HB2504		DWG NO. REV:00	
TECO Westinghouse		31057C454970	