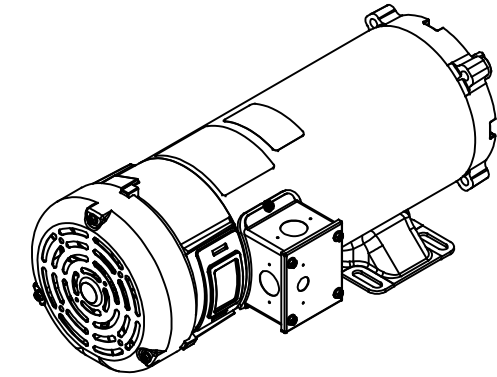
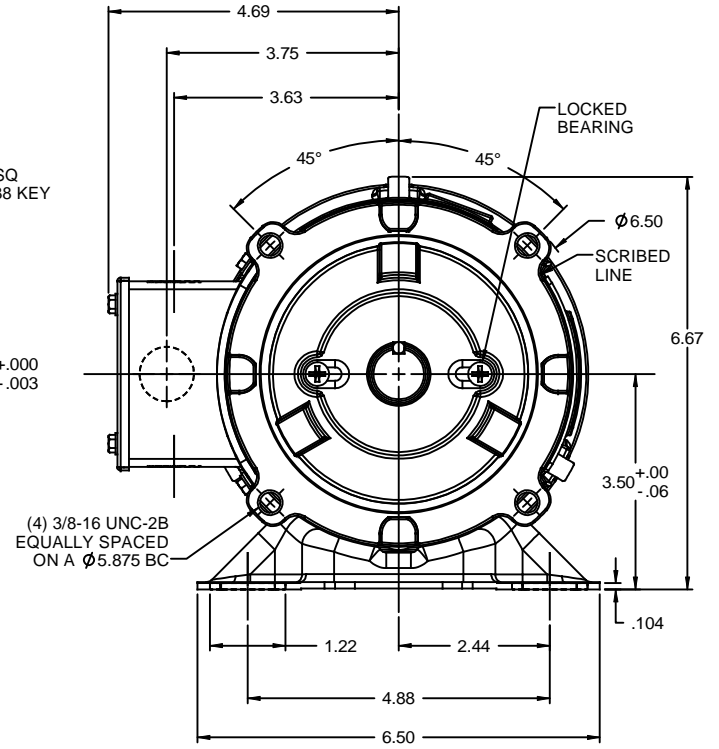
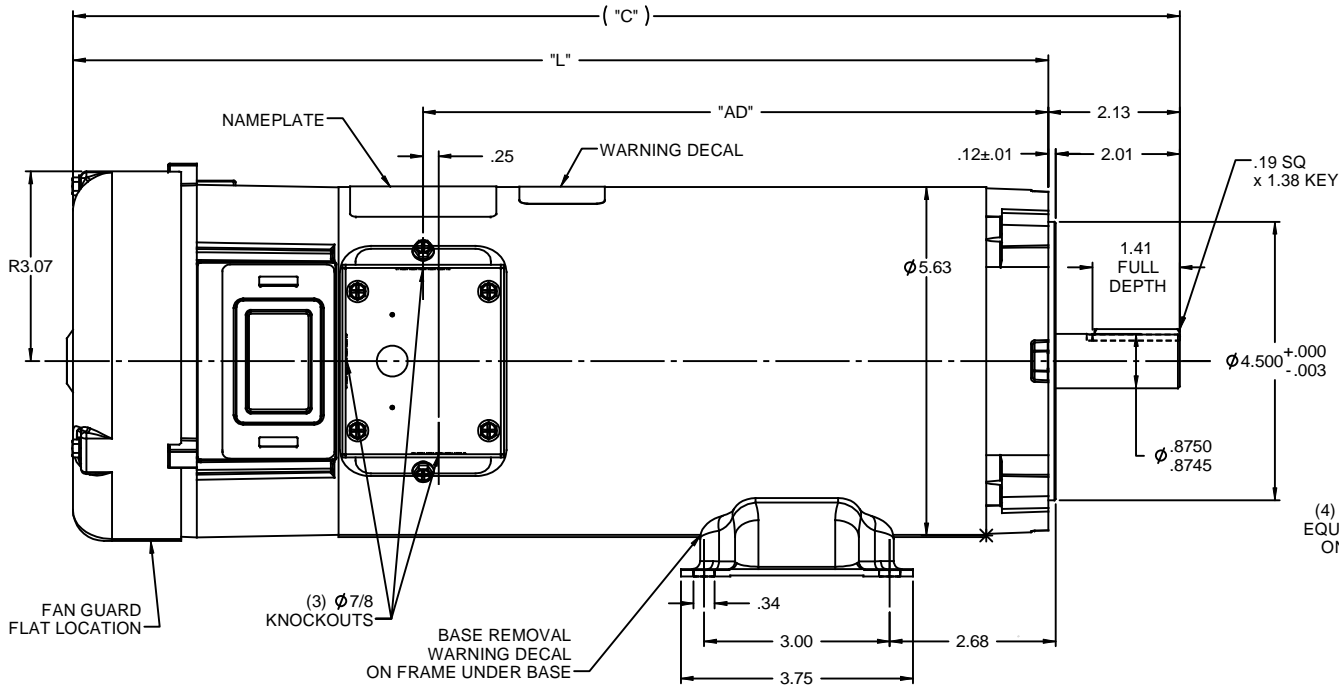


RBC PROPRIETARY AND CONFIDENTIAL INFORMATION  
 This document is the property of REGAL BELOIT CORPORATION ("RBC") including its subsidiaries and divisions and contains proprietary information of RBC. This document is loaned on the express condition that neither it nor the information contained therein shall be disclosed to others without the express written consent of RBC, and that the information shall be used by the recipient only as approved expressly by RBC. This document shall be returned to RBC upon its request. This document may be subject to certain restrictions under U.S. export control laws and regulations.



108266.00	17.89	15.76	10.10	180	2	2500
108262.00	17.39	15.26	9.60	180	1 1/2	1750
<b>CATALOG No.</b>	<b>"C"</b>	<b>"L"</b>	<b>"AD"</b>	<b>VOLTS</b>	<b>H.P.</b>	<b>RPM</b>

- NOTES:  
 1) MAXIMUM FACE RUNOUT .004 T.I.R.  
 2) MAXIMUM PILOT ECCENTRICITY .004 T.I.R.  
 3) PERMISSIBLE SHAFT RUNOUT .002 T.I.R.  
 4) GASKETS THROUGHOUT.

				TOLERANCES UNLESS SPECIFIED		<b>LEESON</b> ELECTRIC MOTORS GEARMOTORS AND DRIVES		DRAWN IPG 4/8/08	
02	ADDED NOTE ABOUT FAN GUARD FLAT LOCATION. ISAAC 09-4813	IPG 12/9/2009	DEC	INCHES				CHK BC 4/8/08	
01	CAT. # 108262.00: "C" WAS 17.89, "L" WAS 15.76, "AD" WAS 10.10, ISAAC 09-1828	IPG 5/14/2009	SK	XX	±.03	TITLE OUTLINE		SCALE 1:2	
	RELEASED: REF. 031879 & 030704	IPG 4/8/2008	BC	XXX	±.005	48 FRAME DC - S56CZ MOUNT		REF 031879	
NO	REVISION	BY & DATE	CHK	ANG	±1/2°	FINISH		FMF 108262.75	
	THIRD ANGLE PROJECTION		RFP			PREV		SIZE	DRAWING NO
				NETWORK FILE NAME				<b>B</b>	<b>031897</b>
								OF	REV
									<b>02</b>