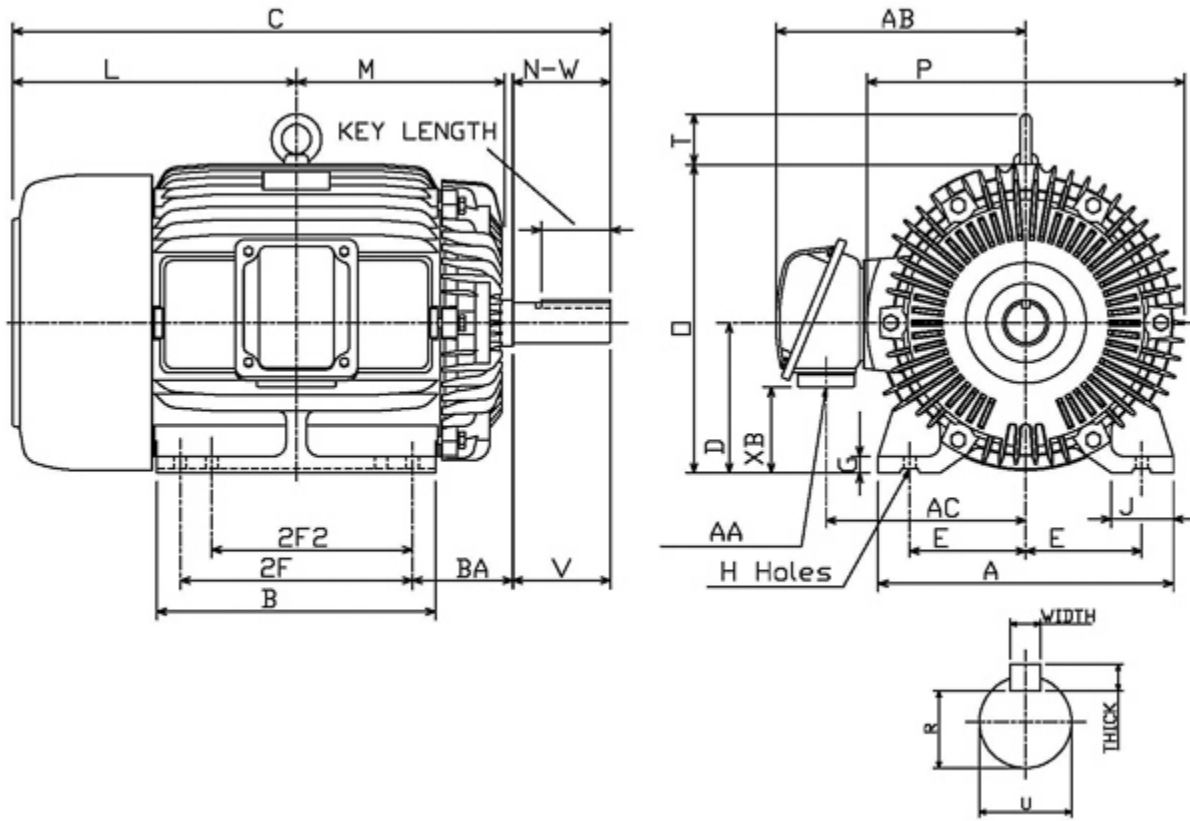


### Dimensional Drawing

| Catalogue | Model  | HP | Pole | kW | Rating     | Voltage | Hz | RPM  |
|-----------|--------|----|------|----|------------|---------|----|------|
| PDH02065  | AEHH8N | 20 | 6    | 15 | Continuous | 575 V   | 60 | 1200 |



| Frame Size       | Mounting |      |          |         |                    | A           | B          | C     | CD                           | D          |         |
|------------------|----------|------|----------|---------|--------------------|-------------|------------|-------|------------------------------|------------|---------|
|                  | E        | 2F   | 2F2      | H       | BA                 |             |            |       |                              |            |         |
| 286T             | 5.5      | 11   | 9.5      | 0.53    | 4.75               | 14          | 13.2       | 28.3  |                              | 7          |         |
| G                | J        | K    | L        | M       | O                  | P           | T          | Key   |                              |            | Keyseat |
| 0.7              | 2.95     |      | 13.43    | 9.98    | 14.52              | 15.04       | 1.97       | Width | Thick                        | Length     | R       |
|                  |          |      |          |         |                    |             |            | 0.5   | 0.5                          | 3.28       | 1.591   |
| Terminal Housing |          |      |          | Aux Box |                    | C/D Flange  |            |       |                              |            |         |
| AA               | AB       | AC   | XB       | AE      | AX                 | BB          | AH         | AK    | BD                           | AJ         | BF      |
| 1.25 NPT         | 12.28    | 9.84 | 3.97     |         |                    |             |            |       |                              |            |         |
| Shaft Extension  |          |      | Bearings |         | Approx. Weight Lbs | SPL dBA/3ft | Ins. Class | S.F.  | Drive Method                 | Dimensions |         |
| N-W              | U        | V    | DE       | NDE     |                    |             |            |       |                              |            |         |
| 4.62             | 1.875    | 4.5  | 6311ZZ   | 6310ZZ  | 510                | 66          | F          | 1.15  | Direct Coupling / Belt Drive | Inches     |         |

### Technical Data Sheet

Motor Type: AEHH8N

Catalogue No: PDH02065

#### Nameplate Information

|           |            |                |             |             |              |                |
|-----------|------------|----------------|-------------|-------------|--------------|----------------|
| HP        | Pole       | RPM            | Frame       | Voltage     | Hz           | Phase          |
| 20        | 6          | 1170           | 286T        | 575         | 60           | 3              |
| Enclosure | Ins. Class | Service Factor | Time Rating | NEMA Design | Rated Amb.   | Rated Altitude |
| TEFC      | F          | 1.15           | Continuous  | B           | -40 to 40 °C | <3300 ft       |

#### Typical Performance

| Efficiency (%)    |                             |                                 |                                      | Power Factor (%)    |           |                                |
|-------------------|-----------------------------|---------------------------------|--------------------------------------|---------------------|-----------|--------------------------------|
| Full Load         |                             | 3/4 Load                        | 1/2 Load                             | Full Load           | 3/4 Load  | 1/2 Load                       |
| Nom.              | Min.                        |                                 |                                      |                     |           |                                |
| 91.7              | 90.2                        | 92.4                            | 92.4                                 | 84.0                | 81.0      | 73.0                           |
| Torque            |                             |                                 |                                      | Current (A)         |           |                                |
| Full Load (lb-ft) | Locked Rotor (% FLT)        | Pull Up (% FLT)                 | Break Down (% FLT)                   | No Load             | Full Load | Locked Rotor                   |
| 89.75             | 210                         | 160                             | 225                                  | 6.0                 | 19.5      | 116                            |
| NEMA KVA Code     | Inertia (WR <sup>2</sup> )  |                                 |                                      | Safe Stall Time (s) |           | Noise Level Sound Press. dB(A) |
|                   | Rotor (lb-ft <sup>2</sup> ) | NEMA Load (lb-ft <sup>2</sup> ) | Max. Allowable (lb-ft <sup>2</sup> ) | Cold                | Hot       |                                |
| G                 | 8.340                       | 262.0                           | 610.0                                | 35                  | 25        | 66                             |

#### VFD Duty Information

| Speed Range     |                 |                | VFD     |              | S.F. |
|-----------------|-----------------|----------------|---------|--------------|------|
| Constant Torque | Variable Torque | Constant Power | Carrier | Type         |      |
| 6-60Hz          | 3-60Hz          | 60-120Hz       | ≤ 5 kHz | VPWM or CPWM |      |

#### Additional Information

| Bearings |        | Approx. Weight |
|----------|--------|----------------|
| DE       | NDE    | lbs            |
| 6311ZZ   | 6310ZZ | 510            |

#### Hazardous Locations Information

| CSA Certified                             |           |
|---|-----------|
| Class I, Div 2, Groups B, C & D           |           |
| Class I, Zone 2, Groups IIB+H2, IIB & IIA |           |
| Temp Code (Sinewave / VFD)                | T3C / T3B |