

**NOTE:**  
 1- CONDUIT BOX CAN BE ROTATED IN 90° STEPS.  
 2- NAMEPLATE TO BE READ FROM CONDUIT BOX SIDE OF MOTOR.

DRAWING REVISION C	REVISION BY KIR	DATE 05/04/16
ECO ECO-0101623	APPROVED BY JD	DATE 05/04/16
ECO DESCRIPTION <b>LOGO CHANGED TO REGAL</b>		
<small>COPYRIGHT REGAL BELOIT AMERICA, INC. ALL RIGHTS RESERVED. PROPRIETARY AND CONFIDENTIAL INFORMATION - THIS DOCUMENT IS THE PROPERTY OF REGAL BELOIT AMERICA, INC. ("OWNER") AND CONTAINS OWNER'S PROPRIETARY INFORMATION. ANY PERSON, CORPORATION OR OTHER FIRM RECEIVING IT IS DEEMED, BY RECEIVING IT, TO AGREE THAT IT, AND/OR ANY PART OF IT, SHALL NOT BE DISCLOSED TO ANY PERSON, CORPORATION OR OTHER ENTITY, DUPLICATED, AND/OR USED, EXCEPT AS EXPRESSLY APPROVED IN WRITING IN ADVANCE BY OWNER. THIS DOCUMENT SHALL BE RETURNED TO OWNER UPON REQUEST. IT MAY BE SUBJECT TO CERTAIN RESTRICTIONS UNDER APPLICABLE EXPORT CONTROL LAWS AND REGULATIONS.</small>		

TOLERANCES UNLESS OTHERWISE SPECIFIED:

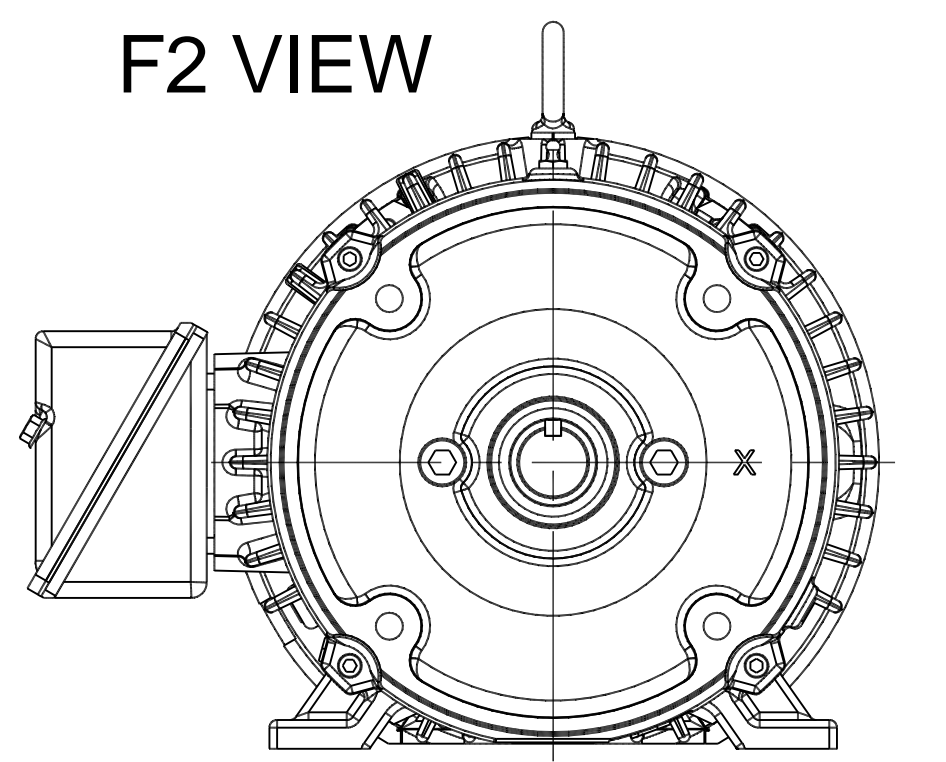
DEC.	INCH	mm	ANGLE
.X	±0.1	[±2.5]	±0.5°
.XX	±0.01	[±0.25]	
.XXX	±0.005	[±0.127]	
.XXXX	±0.0005	[±0.0127]	

REMOVE BURRS & BREAK SHARP EDGES: .003/.015 [0.076/.381] X 45°  
 CORNER FILLETS: R.02 [.51]  
 MACHINED SURFACES: 125 INCH 3.2 mm

DRAWN BY JJB 01-14-2012
DATE
APPROVED BY DJK 01-15-2013
DATE
REFERENCE
THIRD ANGLE PROJECTION

<b>REGAL</b> ™ Regal Beloit America, Inc.	
DESCRIPTION <b>OUTLINE</b> 180FR.	
MATERIAL	PROCESS/FINISH
SIZE <b>B</b>	DRAWING NUMBER <b>ss600164</b>
SHEET 1 OF 1	

DASH	FRAME	B	2F	2FF	2FFF	BS	C	AG
800	182/4TC	6.61	5.50	4.50	4.50	2.75	16.63	14.01
1000	184TC	8.61	7.50	5.50	5.50	3.75	18.63	16.01



F2 MOUNTING IS AVAILABLE ONLY AS A FACTORY OPTION