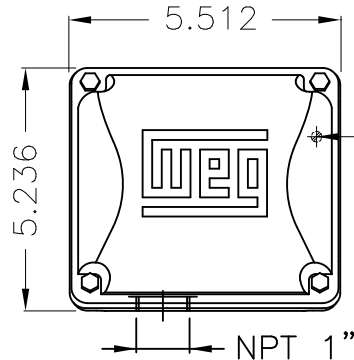
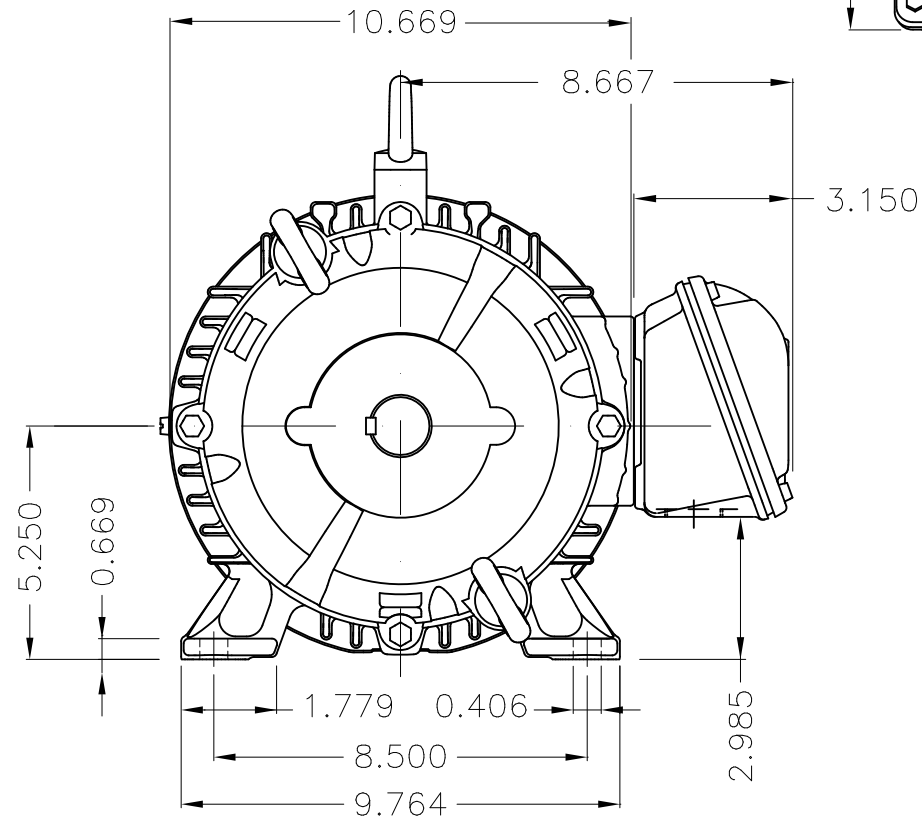
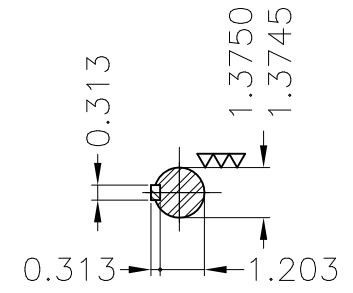
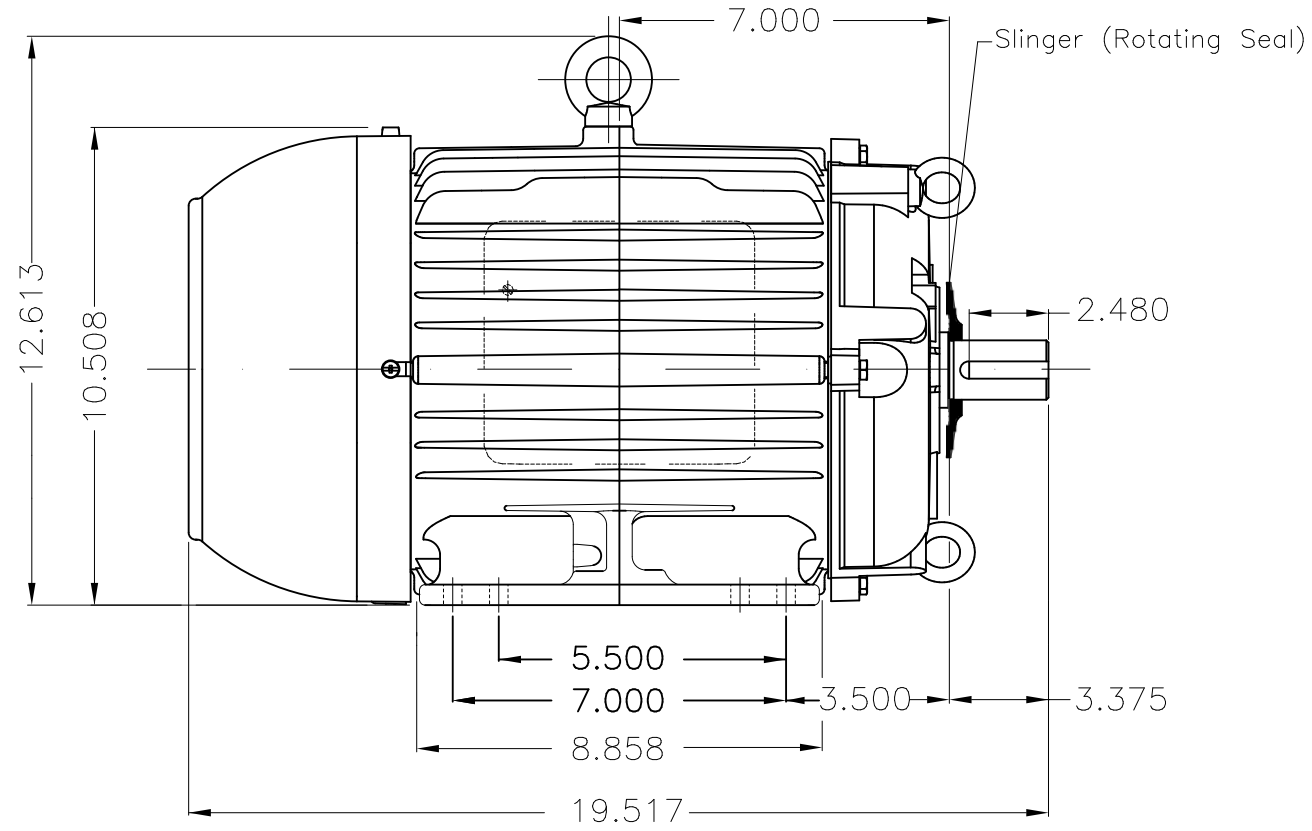


Dimensões em polegada
Dimensions in inches

THIS IS AN UPDATED REVISION, THE
PREVIOUS ONE MUST BE DISREGARDED.

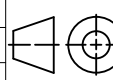


Main terminal box



DE Shaft End

Color RAL 5009
Painting plan 202E
Mounting B3L(E)

| ECM | LOC | SUMMARY OF MODIFICATIONS | | | EXECUTED | CHECKED | RELEASED | DATE | VER |
|----------|------------|--|----------------|---------------------|----------|---------|----------|------|-----|
| EXECUTED | USERADMIN |  THREE PH W22 MOTOR COOLING TOWER HIGH EF FRAME 213/5T IP55 TEFC WEG code: 12173004 | | | | | | | |
| CHECKED | | | | | | | | | |
| RELEASED | | | | | | | | | |
| REL DT | 24.07.2017 | WMO | Jaragua do Sul | Product Engineering | SHEET | 1 / 1 | | | |

2.5/10 HP 08/04 Poles 60Hz

A

