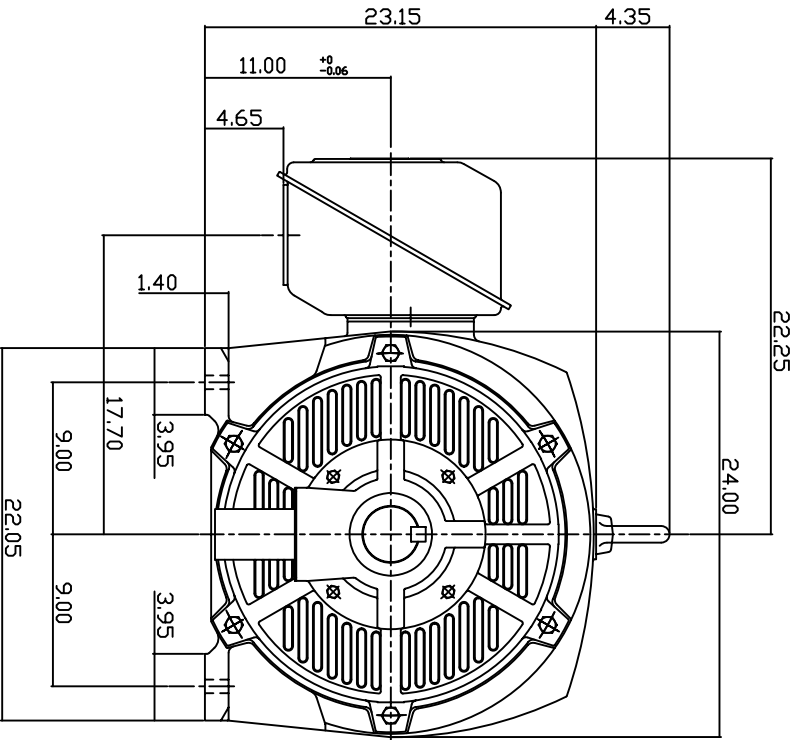
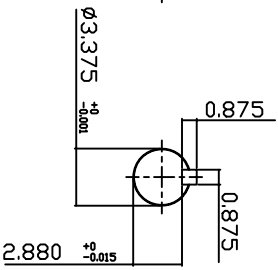
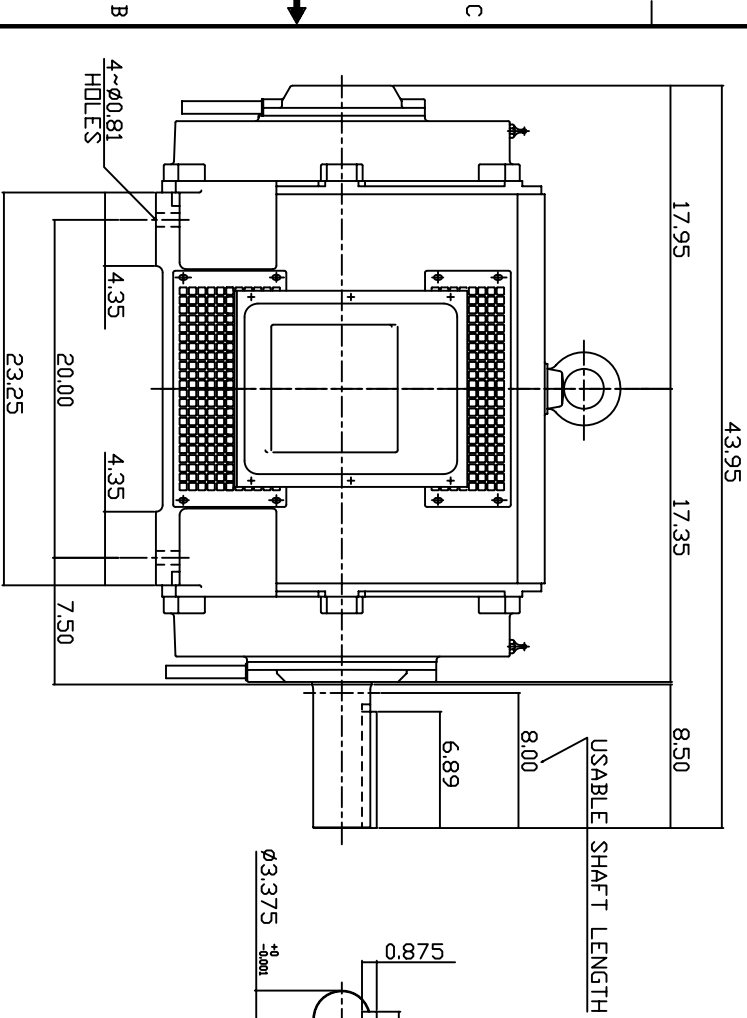


TYPE	OUTPUT		POLE	TIME RATING	VOLTAGE V	Hz	SYN SPEED R.P.M
	HP.	KW.					
ASHH	200	150	6	CDNT.	460	60	1200

DRIP PROOF TYPE, SQUIRREL-CAGE ROTOR



NOTE:

1. DIMENSIONS IN INCH.
2. FRAME NO. 447T
3. F CLASS INSULATION, S.F.1.15
4. FOR DIRECT DRIVE APPLICATIONS
5. BEARING SIZE: DRIVE END: 6320
NON-DRIVE END: 6318
6. MOTOR APPROX. WEIGHT: 1810 LBS

TB-56SC

DWN.	W.LLIN	MAR. 26. 2003
CHKD.	W.LLIN	MAR. 26. 2003
APPD.	C.WANG	MAR. 26. 2003

DATE	May 14 2007	OUTLINE DIMENSIONS
CATALOG NO.	DHP2006	
3-PHASE INDUCTION MOTOR		DWG NO.



3A040T263

REV: 00