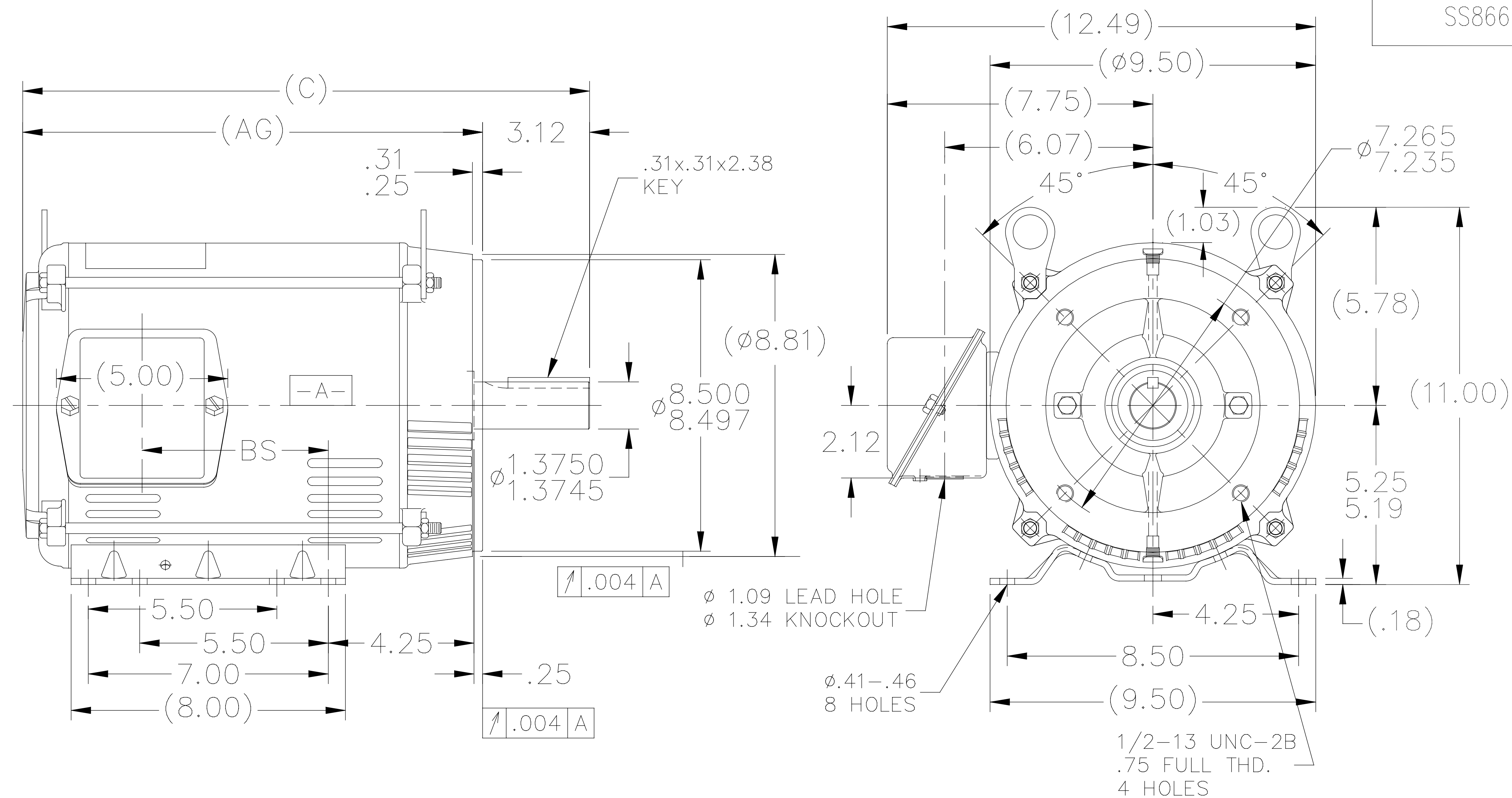



SS86614



NOTES:

1. NAMEPLATE TO BE READ FROM CONDUIT BOX SIDE OF MOTOR.
2. CONDUIT BOX CAN BE MOUNTED IN 90° STEPS.
3. CONDUIT BOX CAN BE MOUNTED ON OPPOSITE SIDE BY REMOVING BRACKETS AND TURNING FRAME 180. (EXCEPT AS NOTED)

DASH	FRAME	C	AG	BS	MOUNTING
965	213T	16.53	13.41	5.43	
1115	213/15T	18.03	14.91	6.93	
1240	213/15T	19.28	16.16	8.18	F1 ONLY

				TOLERANCES UNLESS SPECIFIED		 Regal Beloit America, Inc.	DRAWN MRB 05-07-1996			
NO.	REVISION	BY & DATE	CHK	ANG	±		SCALE	PAGE	OF	REV.
5	TITLE BLOCK LOGO CHANGE PER ECO-0078542	MDV 06/09/2015		DEC.	INCHES	TITLE OUTLINE - C' FACE 210T FR. - BB - TS - DR.PR. MAT'L. FINISH	CHK	ML	05-20-1996	
4	UPDATED DRAWING	TJW 04/30/2007		.X	±.1		APPD	DN	05-20-1996	
3	REDRAWN IN AUTOCAD	TAT 06-29-2004	ML	.XX	±.03		SCALE	7=32		
2	UPDATED C' BOX GEOMETRY	CN 28425 HLB 11-13-2000		.XXX	±.005		REF			
1	NEW DRAWING - DES/DEV	MRB 05-22-1996		.XXXX	±.0005		FMF			
THIS DRAWING IN DESIGN AND DETAIL IS OUR PROPERTY AND MUST NOT BE USED EXCEPT IN CONNECTION WITH OUR WORK ALL RIGHTS OF DESIGN AND INVENTION ARE RESERVED THIS IS AN ELECTRONICALLY GENERATED DOCUMENT - DO NOT SCALE THIS PRINT		RFP		CAD FILE	ss86614	SIZE	DRAWING NO.	PAGE	OF	REV.
		DIST	LB			A	SS86614			5