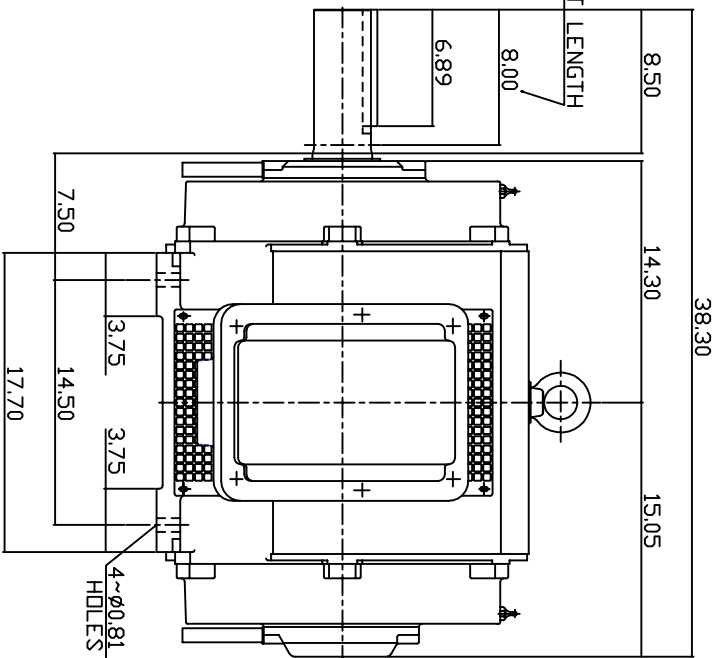
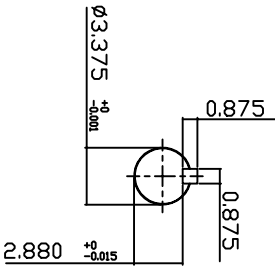
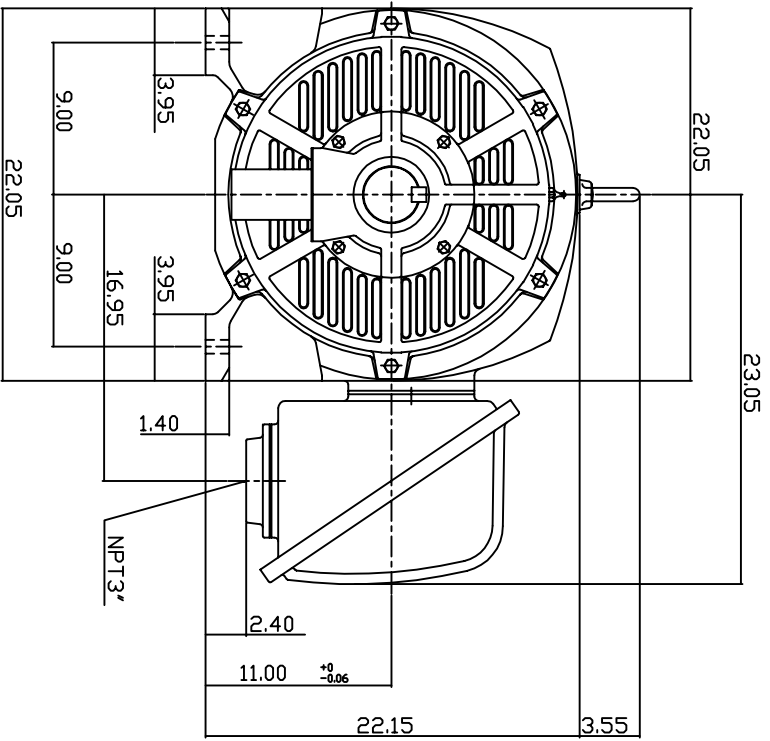


TYPE	OUTPUT		POLE	TIME RATING	VOLTAGE V	Hz	SYNSPEED R.P.M
	HP.	KW.					
ASFAFP	100	75	6	CDNT.	230/460/796	60	1200

DRIP PROOF TYPE, SQUIRREL-CAGE ROTOR



NOTE:

1. DIMENSIONS IN INCH.
2. FRAME NO. 444T
3. F CLASS INSULATION, S.F.115
4. BEARING SIZE: DRIVE END: NU318
NON-DRIVE END: 6316
5. MOTOR APPROX. WEIGHT: 1716 LBS

TW-56C

DWN.	W.L.LIN	APR. 23. 2003
CHKD.	W.L.LIN	APR. 23. 2003
APPD.	C.WANG	APR. 23. 2003

DATE	APRIL 21, 2004
DATE	Q1006R

OUTLINE DIMENSIONS
3-PHASE INDUCTION MOTOR



DWG NO. 3A040T418
REV: 00