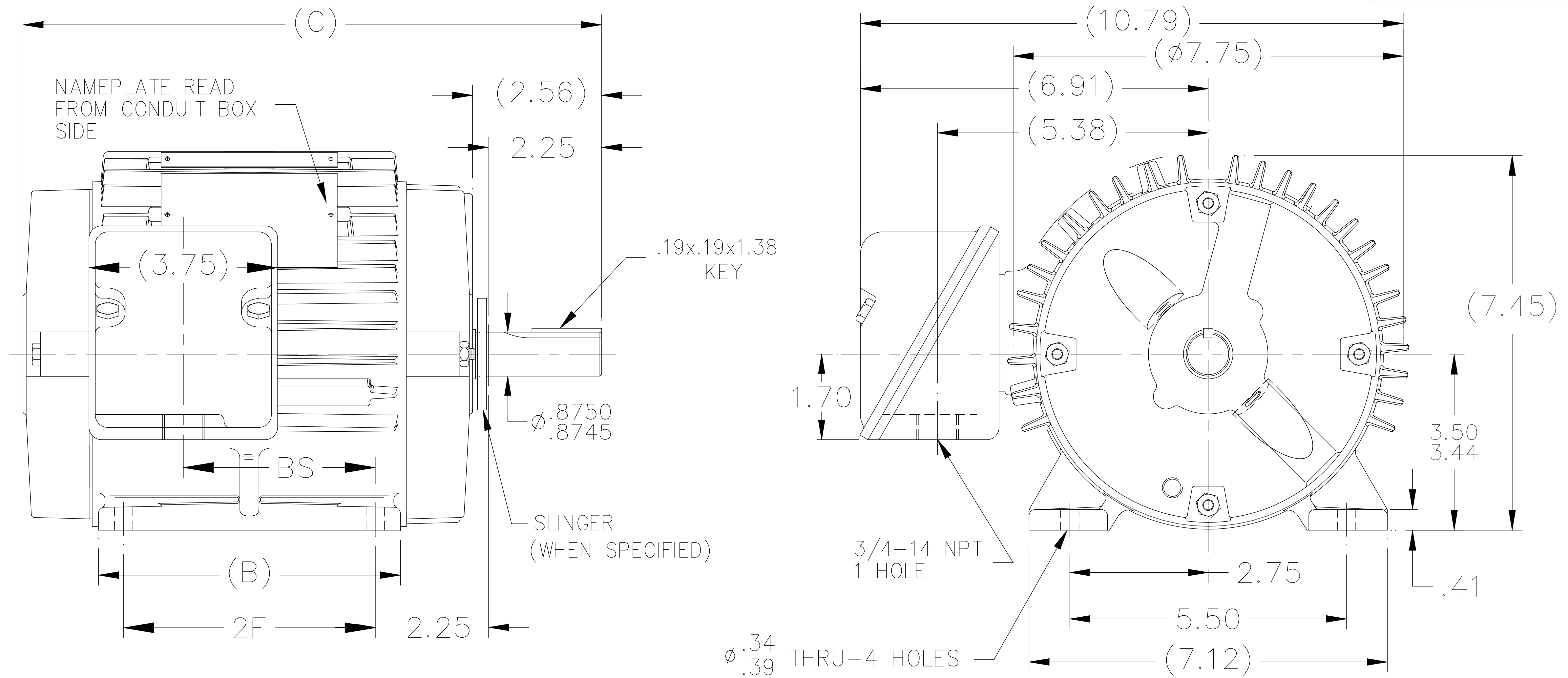
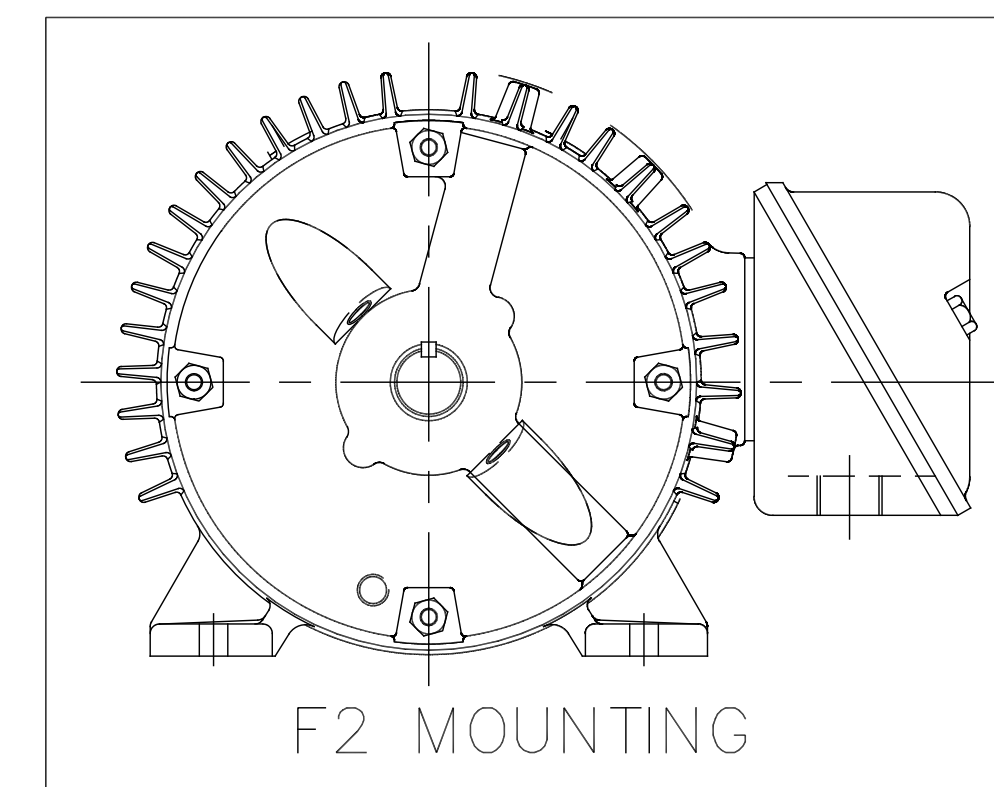


100658




NOTES:

- 1- BOX CAN BE ROTATED IN 90° STEPS.
- 2- BOX CAN BE MOUNTED ON OPPOSITE SIDE BY REMOVING BRACKETS AND TURNING FRAME 180°.
- 3- FRONT GREASE HOLE LOCATIONS SHOWN WITH HIDDEN LINES.



DASH	FR.	B	C	BS	2F
525	143T	5.00	10.43	2.81	4.00
625	145T	6.00	11.43	3.81	5.00

9	ADDED F2 VIEW	SM	1/27/2017	SM	TOLERANCES UNLESS SPECIFIED		 Regal Beloit America, Inc.	DRAWN	RM	10/27/1992		
8	ADDED SLINGER NOTE PER ECO-0105576	KK	7/8/16		DEC.	INCHES		CHK	ML	10/28/1992		
7	ADDED SLINGER MU47250	RDH	07/01/2003		.X	±.1	APPD	JA	11/02/1992			
6	TENV IN PART NAME WAS TEFC CN 27400-20	MRB	01/19/1999		.XX	±.03	TITLE	OUTLINE				
5	REF. 2.56 WAS STANDARD DIM. CN 23975-2	MH	02/13/1997		.XXX	±.005	140T FR. - BB - TS - TENV		SCALE	5=16		
4	ADDED NEMAL 'O' DIM.	MRB	09/12/1996		.XXXX	±.0005	MAT'L.	REF				
NO.	REVISION	BY & DATE	CHK	ANG	±7'30"	FINISH	PREV					
THIS DRAWING IN DESIGN AND DETAIL IS OUR PROPERTY AND MUST NOT BE USED EXCEPT IN CONNECTION WITH OUR WORK ALL RIGHTS OF DESIGN AND INVENTION ARE RESERVED THIS IS AN ELECTRONICALLY GENERATED DOCUMENT - DO NOT SCALE THIS PRINT				RFP	CAD FILE 100658			SIZE	DRAWING NO.	PAGE	OF	REV.
				DIST	WP			A	100658			9