

# Product Information Packet

April 26, 2017

Data shown is for the current revision model #. Ensure your nameplate model # matches.

<b>Model Number:</b>	<b>5KS449DAJ6022A</b>
<b>Catalog Number:</b>	<b>V4433</b>
<b>Instruction Manual:</b>	GEK-95352
<b>Connection Diagram:</b>	GEM2034E-FIG19
<b>Outline Drawing:</b>	148CB49VMJKFGAA0001

Accessory Connection Diagrams			
<b>Bearing Thermocouple:</b>	None	<b>Heater:</b>	3027JE-1C
<b>RTD:</b>	None	<b>Thermistor:</b>	None
<b>Thermostat:</b>	None	<b>Winding Thermocouple:</b>	None
<b>Bearing RTD:</b>	None		

## Table of Contents

Specification	01
Performance Characteristics	02
Outline Drawing	03
Connection Drawing(s)	04
Spare parts	05



**Marks:**

<b>MODEL NUMBER:</b>	<b>5KS449DAJ6022A</b>	<b>Estimated Weight:</b>	3650 Lbs
<b>Outline Drawing:</b>	148CB49VMJKFGAA0001	<b>Time Rating:</b>	CONT
<b>Connection Diagram:</b>	GEM2034E-FIG19	<b>Enclosure:</b>	WPI
<b>Instruction Book:</b>	GEK-95352	<b>Encl Construction:</b>	OPEN
<b>Design Code:</b>	49BD1253AC	<b>Ambient Max(°C):</b>	40
<b>Type:</b>	KS	<b>Alt Ambient Max(°C):</b>	--
<b>Frame:</b>	L449TP20	<b>Insulation Class:</b>	H
<b>Phases:</b>	3	<b>NEMA Design:</b>	B
<b>Poles:</b>	4	<b>Nominal Efficiency:</b>	95.8 %
<b>Output Power:</b>	400HP 296KW	<b>Guaranteed Efficiency:</b>	95.0
<b>RPM:</b>	1790	<b>3/4 Load Efficiency:</b>	96.6
<b>Voltage:</b>	460	<b>KVA Code:</b>	G
<b>Hertz:</b>	60	<b>Max KVAR:</b>	79.8
<b>Amps - FL:</b>	439.0	<b>Power Factor:</b>	89.0
<b>Service Factor:</b>	1.15	<b>Bearing - DE:</b>	6217C3
<b>Alt Service Factor:</b>	--	<b>Bearing - ODE:</b>	235A2536AA01

**Enclosure is Weather Protected One**

**Stamped Nameplate Notes:**

HTR LDS HE1-HE2 115V 145W  
 ROT CCW FACING ODE LEAD/PH SEQ 1-2-3/1-2-3  
 INVERTER DUTY PER NEMA MG1 PART 31  
 ALTERNATE RATING FOR PWM CONTROL:1.0SF 40C AMBIENT  
 VAR TORQUE RANGE 5-60 HZ  
 SUITABLE FOR 350 HP, 380V, 50 HZ WITH  
 465.0 AMPS AND 1485 RPM AT 1.0 SF

**Additional Information:**

4 POLE, VERT HOLLOW SHAFT HIGH THRUST (2D)  
 SPECIAL BALANCE  
 2500 CU IN - 2(4.00" NPT)  
 BEARING LIFE 8760 HRS AT 30000 LB THRUST  
 C/B GRD PLATE  
 OIL RESISTANT SLEEVING ON LEADS  
 115V HTR LDS TO MAIN CONDUIT BOX  
 COUPLING NOT INCLUDED IN BOM, WILL BE  
 ORDERED SEPERATELY  
 PART WINDING START  
 SPHERICAL ROLLER BEARING

**Performance Characteristics**

1st Winding 1st Connection

**Design: 49BD1253AC**

**Marks:**

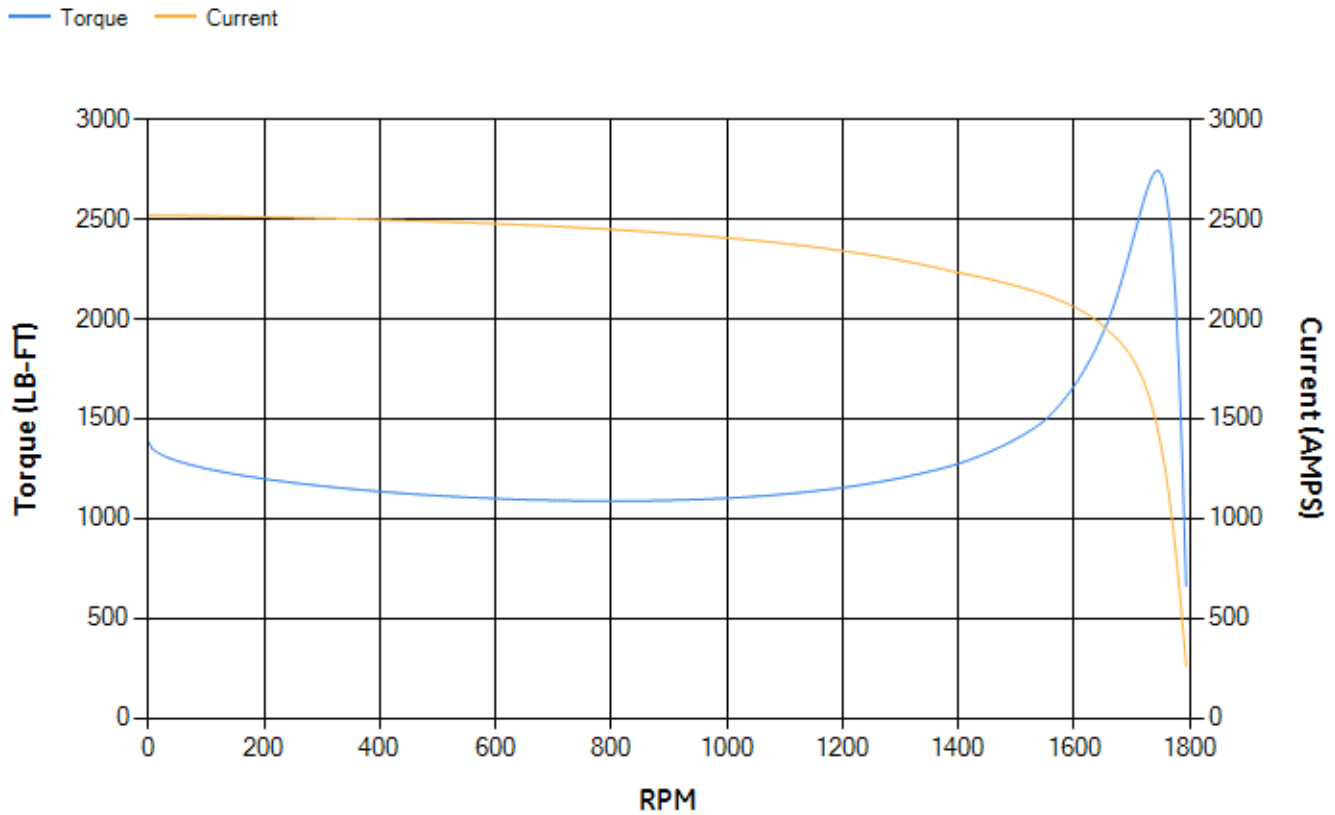
LOAD %	125.0	115.0	100.0	75.0	50.0	25.0	0.0
% EFF	94.64	94.92	95.48	95.65	95.51	93.58	0.00
% PF	88.74	88.95	88.9	87.46	82.28	64.44	4.84
AMPS	557.23	509.93	441.04	335.64	238.2	155.2	111.26

<b>TORQ(FL)#FT</b>	1174.6	<b>TORQ(LR)%FL</b>	117.72	<b>TORQ(BD)%FL</b>	233.42
<b>AMPS(LR)</b>	2518.98	<b>PF AT START</b>	0.25		

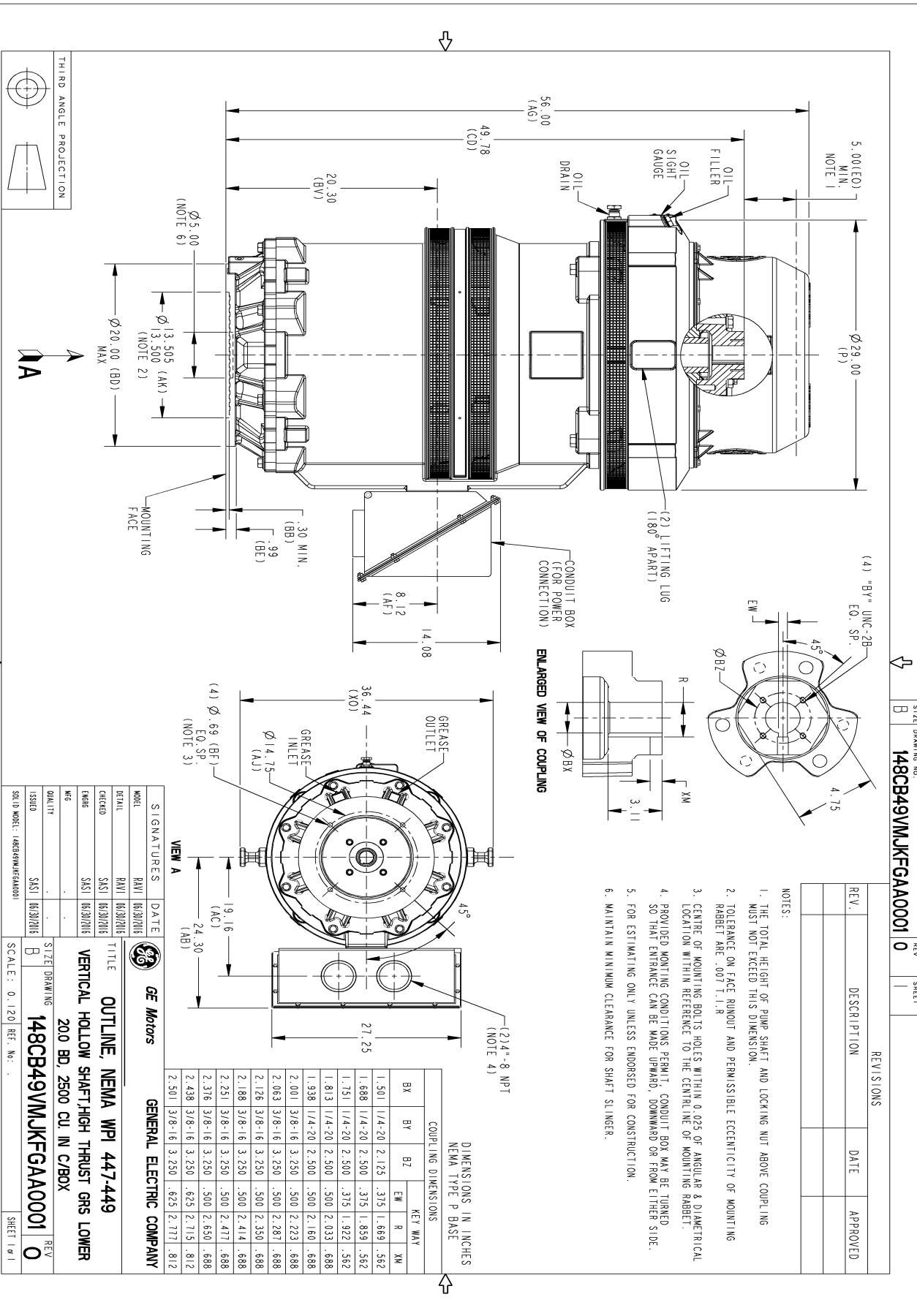
This motor is capable of two cold or one hot start with a maximum connected load inertia of 4716 Lb-Ft Sq (198.54 Kg-meter Sq)at 100% voltage, where the load torque varies with the square of the speed. Acceleration time with maximum inertia and the above load type is 32 seconds. Safe stall time at 100% voltage is 85 seconds cold, 48 seconds hot. Rotor inertia is 130.07 Lb-Ft Sq (5.48 Kg-meter Sq).

<b>Open Circuit A-C:</b>	1.586	<b>Short Circuit D-C:</b>	0.026
<b>Short Circuit A-C:</b>	0.063	<b>X/R Ratio:</b>	9.862
<b>Stator Slots:</b>	72	<b>Rotor Slots:</b>	58

**Speed Torque Current Curve (First Connection, First Speed)**

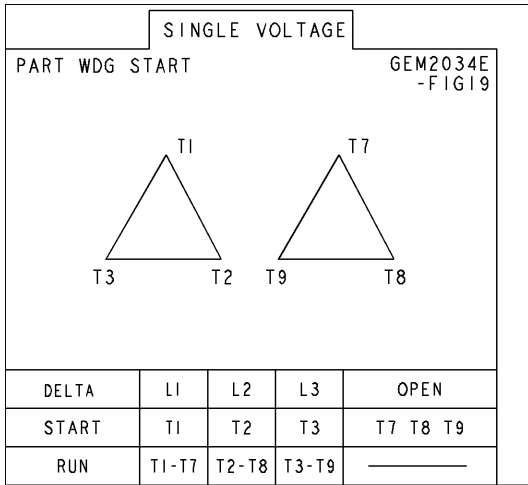


Marks:



Marks:

**Connection Diagram**  
**GEM2034E-FIG19**



**Heater Connection**  
**3027JE-1C**



End shield Assembly		
Part Description	DE Side Part#	ODE Side Part#
End Shield	115E7661AA1	115E7670MA1
Bearing	235A2522AJ01	235A2536AA01
Slinger/Inproseal		

Fan & Fan Cover Assembly	
Part Description	Part#
Fan	
Fan Cover	149C4050AA1

Conduit & Accessories Box Assembly	
Part Description	Part#
Conduit Box	179B9052G01

Mechanical Accessories	
Part Description	Part#
Brake	
Tachometer	