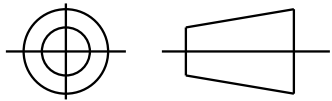


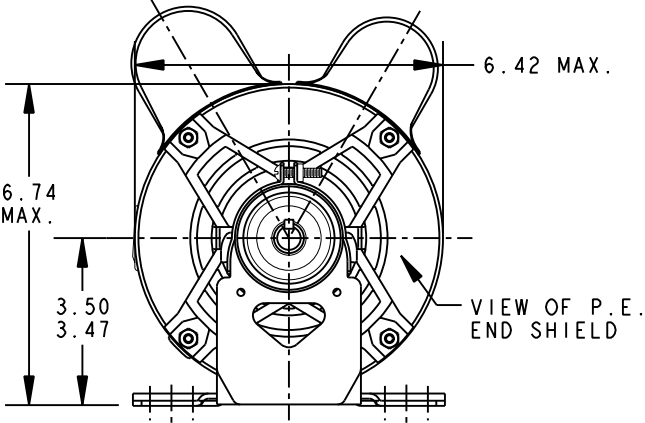
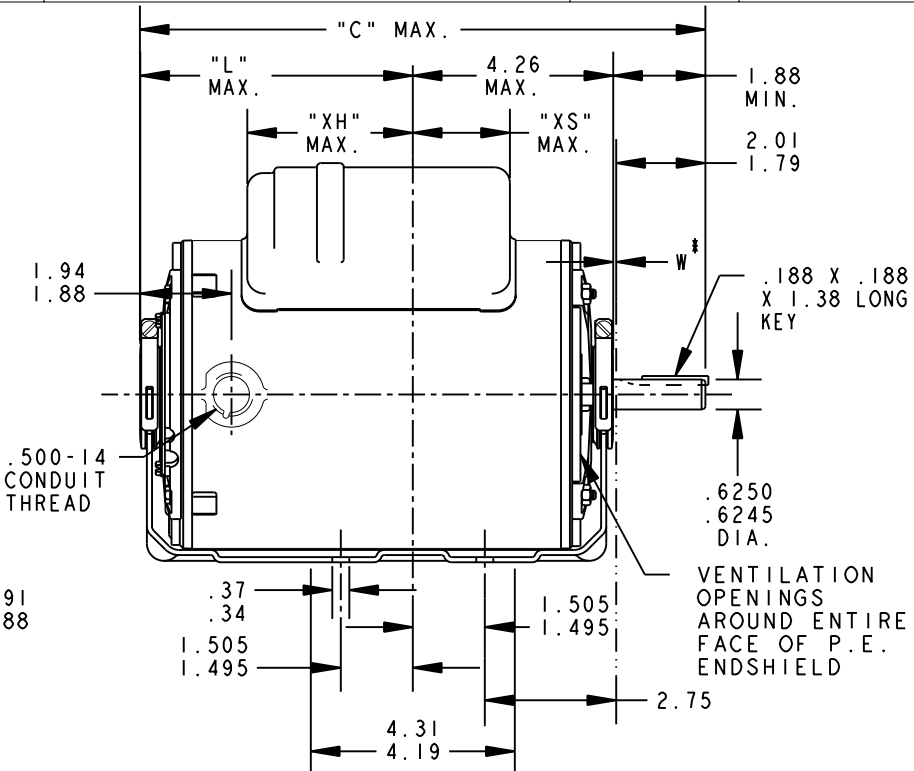
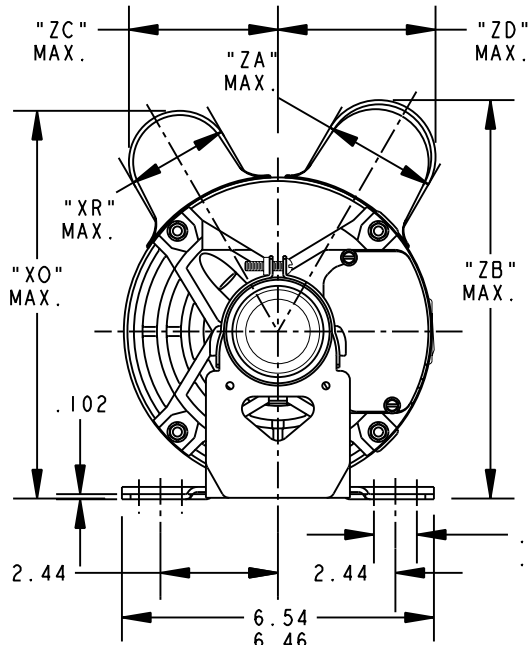
SHEET 12
REV 52A107705
SIZE DRAWING NO. A

THIRD ANGLE PROJECTION



REVISIONS


REV.	DESCRIPTION	DATE	APPROVED
12	CHG TO RBC FORMAT PER ISO5-1777	03/01/06	SUDHA



‡ W IS A VARIABLE CLEARANCE DUE TO VARIATIONS IN PARTS AND ASSEMBLY

7	KCR	48	56	12.66	6.50	3.58	8.18	2.15	2.17	2.40	8.40	3.20	3.38	8.43
6	KCR	49	56	11.91	5.75	3.58	8.18	2.15	2.17	1.60	7.81	3.20	2.86	7.68
5	KCR	49	56	10.37	4.23	2.86	8.18	2.15	2.89	1.60	7.72	3.20	2.97	6.15
4	KCR	49	56	11.37	5.23	3.52	8.18	2.15	2.23	2.40	8.40	3.20	3.38	7.15
3	KCR/KC	46	56	10.77	4.63	2.92	8.18	2.15	2.83	2.40	8.40	3.20	3.38	6.55
2	KCR	49	56	11.91	5.75	3.58	8.18	2.15	2.17	2.72	8.77	3.20	3.66	7.68
1	KCR	49	56	11.91	5.75	3.58	8.18	2.15	2.17	2.40	8.40	3.20	3.38	7.68
P	TYPE	GE SIZE	NEMA FR	"C"	"L"	"XH"	"XO"	"XR"	"XS"	"ZA"	"ZB"	"ZC"	"ZD"	MIN. SHELL

SIGNATURES		DATE
MODEL	M. D. PAPE	05/24/91
DETAIL	.	.
CHECKED	.	.
ENGRG	.	.
MFG	.	.
FOR ADDITIONAL INFO REFER TO:	QUALITY	.
APPLIED PRACTICES	ISSUED	M. D. PAPE 05/04/95
DIMENSIONS ARE IN INCHES ✓	SOLID MODEL: 52A107705	
MATERIAL		



REGAL-BELOIT CORPORATION

TITLE: **OUTLINE**

40 FRAME REDESIGN - GENERAL PURPOSE MOTOR - DRIP PROOF - BALL BEARING - RESILIENT BASE

SIZE: DRAWING A

SCALE: 0.250 REF. No: . SHEET 1 of 1

52A107705

REV 12