

DATE
JAN. 4, 2007
CAT. #: EPV0022C

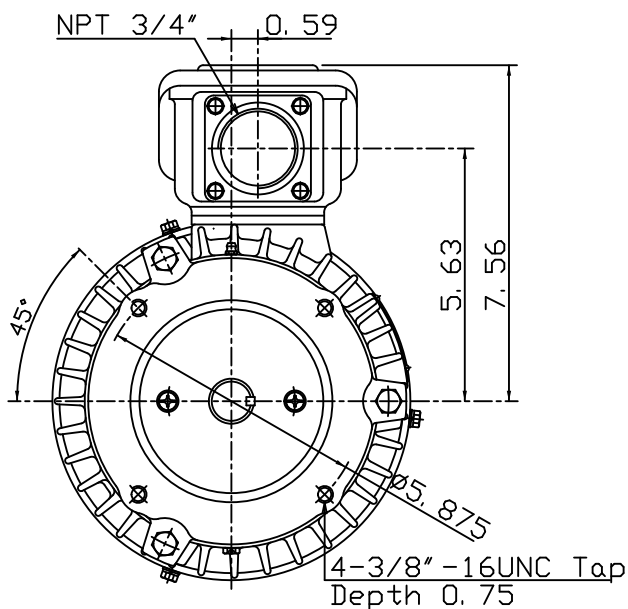
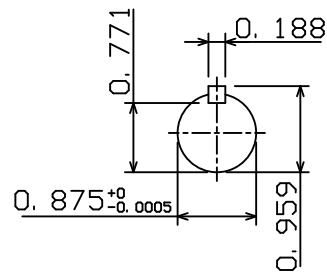
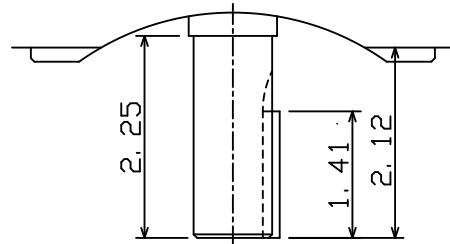
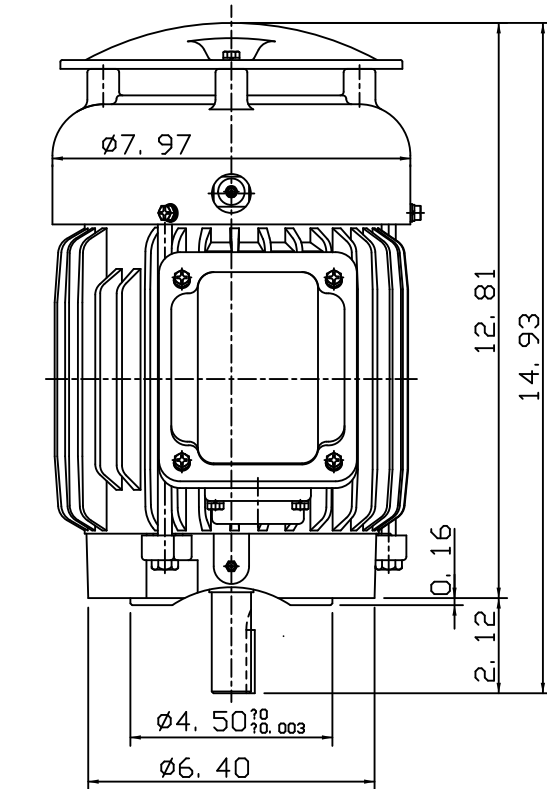
OUTLINE DIMENSIONS
3-PHASE INDUCTION MOTOR

MOTOR TYPE:
AEUH8NDC
FRAME NO. 145TC

Pole	HP	kW	Hz	VOLT	Syn. Speed r/min(rpm)
2	2	1.5	60	230/460	3600

Ins	Rating	Dimension in	Approx Weight	Bearings
F	CONT.	inches	66 LBS	DE: 6205ZZ NDE: 6205ZZ

Totally Enclosed Fan-Cooled Vertical Type. Squirrel-Cage Rotor.



DWN.	J. H. LIANG	12-23-06
CHKD.	H. C. YAN	12-28-06
APPD.	M. C. TSAI	12-28-06

TECO Westinghouse

DWG NO.
31049M990060