

Product Information Packet

April 19, 2017

Data shown is for the current revision model #. Ensure your nameplate model # matches.

Model Number:	5KS254CAA104B
Catalog Number:	E9623
Instruction Manual:	GEI-56128
Connection Diagram:	GEM2034E-FIG1
Outline Drawing:	4002B5825RAP5201

Accessory Connection Diagrams			
Bearing Thermocouple:	None	Heater:	None
RTD:	None	Thermistor:	None
Thermostat:	3027JE-2A	Winding Thermocouple:	None
Bearing RTD:	None		

Table of Contents

Specification	01
Performance Characteristics	02
Outline Drawing	03
Connection Drawing(s)	04
Spare parts	05



Marks:

MODEL NUMBER:	5KS254CAA104B	Estimated Weight:	315 Lbs
Outline Drawing:	4002B5825RAP5201	Time Rating:	CONT
Connection Diagram:	GEM2034E-FIG1	Enclosure:	TEFC
Instruction Book:	GEI-56128	Encl Construction:	XP
Design Code:	25BD0090B	Ambient Max(°C):	40
Type:	KS	Alt Ambient Max(°C):	--
Frame:	254T	Insulation Class:	F
Phases:	3	NEMA Design:	B
Poles:	2	Nominal Efficiency:	91 %
Output Power:	15HP 11.1KW	Guaranteed Efficiency:	89.5
RPM:	3550	3/4 Load Efficiency:	--
Voltage:	575	KVA Code:	G
Hertz:	60	Max KVAR:	2.9
Amps - FL:	13.9	Power Factor:	89.0
Service Factor:	1.00	Bearing - DE:	6309ZC3
Alt Service Factor:	--	Bearing - ODE:	6309ZC3

Enclosure is Totally Enclosed Fan-Cooled

Stamped Nameplate Notes:

EXPLOSION PROOF MOTOR
TEMP CODE T3C
THERMOSTAT LEADS TB1-TB2
STAMP NP249A5571AD "CL I (C & D) CL II (F & G)"

Additional Information:

2P - T EXTN
STANDARD FLOOR MOUNT
C/BOX 127 CU IN-1.25 NPT
F1 CONDUIT BOX MOUNTING
AUX LEADS EXIT WITH MOTOR LEADS
CL I C & D CL II F & G EXPLOSION PROOF MOTOR

Performance Characteristics

1st Winding 1st Connection

Design: 25BD0090B

Marks:

LOAD %	125.0	115.0	100.0	75.0	50.0	25.0	0.0
% EFF	89.41	90.08	91.1	91.78	91.66	88.38	0.00
% PF	88.67	89.04	89.2	88.1	83.48	67.11	9.45
AMPS	17.71	16.1	13.82	10.42	7.34	4.73	3.28

TORQ(FL)#FT 22.19
AMPS(LR) 88.3

TORQ(LR)%FL 185.05
PF AT START 0.3

TORQ(BD)%FL 263.8

This motor is capable of two cold or one hot start with a maximum connected load inertia of 100 Lb-Ft Sq (4.21 Kg-meter Sq)at 100% voltage, where the load torque varies with the square of the speed. Acceleration time with maximum inertia and the above load type is 45 seconds. Safe stall time at 100% voltage is 93 seconds cold, 59 seconds hot. Rotor inertia is 1.05 Lb-Ft Sq (0.04 Kg-meter Sq).

Open Circuit A-C: 0.836

Short Circuit D-C: 0.012

Short Circuit A-C: 0.031

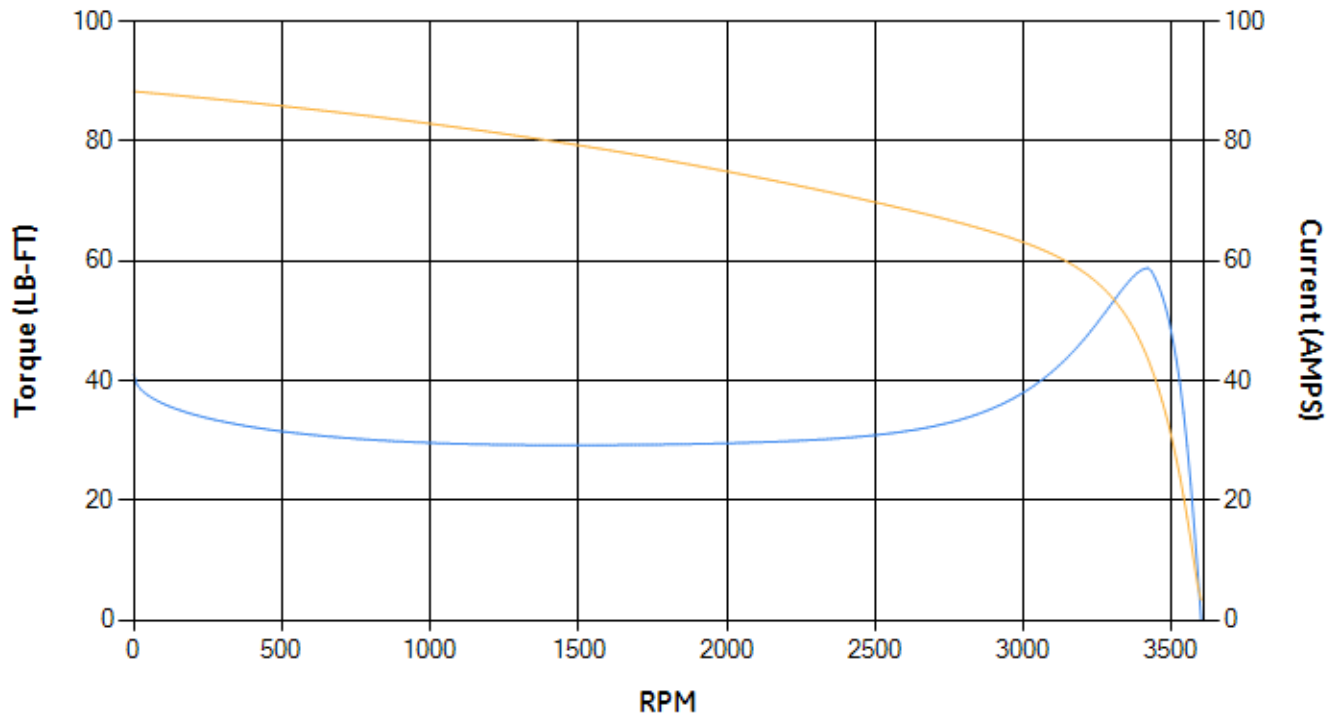
X/R Ratio: 4.631

Stator Slots: 36

Rotor Slots: 26

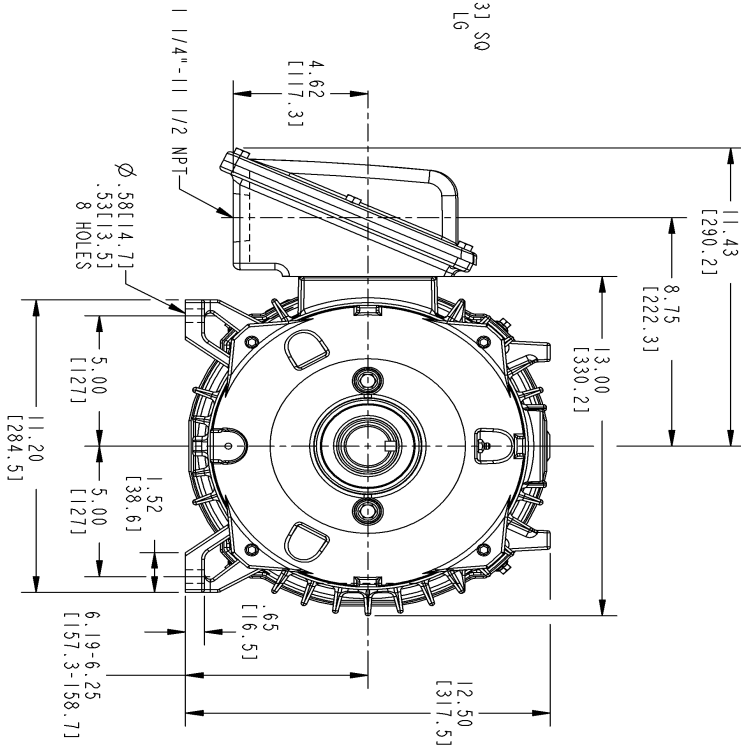
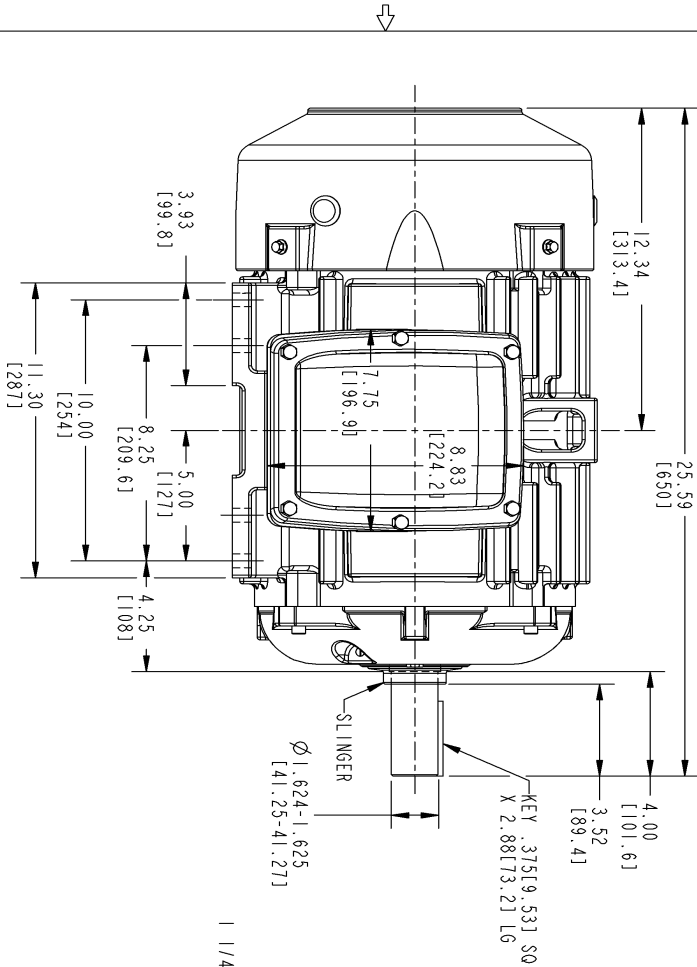
Speed Torque Current Curve (First Connection, First Speed)

— Torque — Current



Marks:

NOTE 1: CONDUIT BOX MAY BE ASSEMBLED WITH ENTRANCE UP, DOWN OR TO EITHER SIDE.
 NOTE 2: F1 ASSEMBLY AS SHOWN. F2 ASSEMBLY CONDUIT BOX ON OPPOSITE SIDE FROM SHOWN LOCATION.

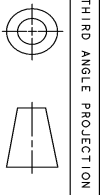


SIZE DRAWING NO. 4002B5825RAP5201

SH 1 REV

REVISIONS

REV.	DESCRIPTION	DATE	APPROVED
1	DUAL DIMENSION ADDED	SMITHUN 11/23/07	HEMANTH



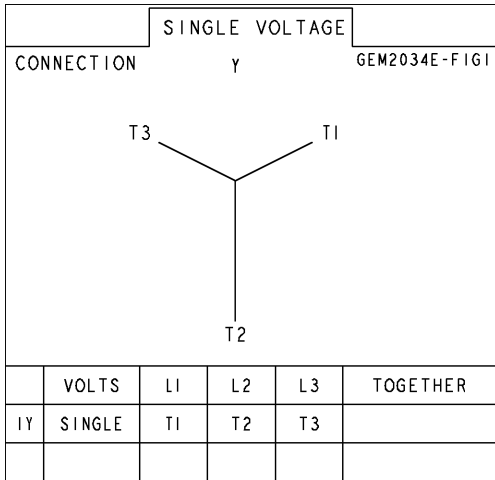
THIRD ANGLE PROJECTION

SIGNATURES	DATE	GE Industrial Systems	GENERAL ELECTRIC COMPANY
DRWN: GARY WARRNER	JUN 21/02		Fort Wayne, Indiana
CHECKED: GARY WARRNER	JUN 21/02		
ENGR:			
ISSUED: GARY WARRNER	JUL 04/02		
APPLIED PRACTICES:			
SIZE DRAWING: B	SCALE: 0.250	REF. NO.: 4002B5825RAP5201	SHEET 1 OF 1
INDUCTION MOTOR OUTLINE		STANDARD CONSTRUCTION	
FME: FR250T		FCXR XSD ULTRA	
4002B5825RAP5201		REV. 1	

DISTRIBUTION: PMP-18K15

Marks:

Connection Diagram
GEM2034E-FIG1



Thermostat Connection
3027JE-2A



End shield Assembly		
Part Description	DE Side Part#	ODE Side Part#
End Shield	4004D5273PA1	4004D5273SA1
Bearing		
Slinger/Inproseal		

Fan & Fan Cover Assembly	
Part Description	Part#
Fan	159C6704G02
Fan Cover	

Conduit & Accessories Box Assembly	
Part Description	Part#
Conduit Box	4002B5728RA-G02

Mechanical Accessories	
Part Description	Part#
Brake	
Tachometer	