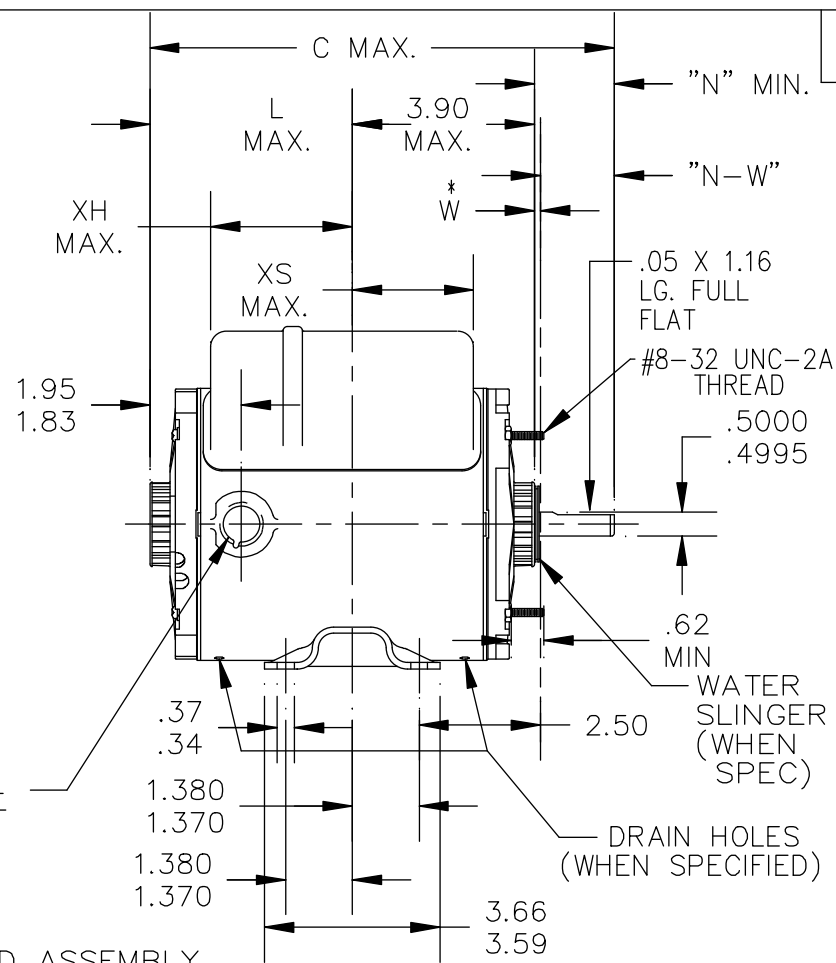
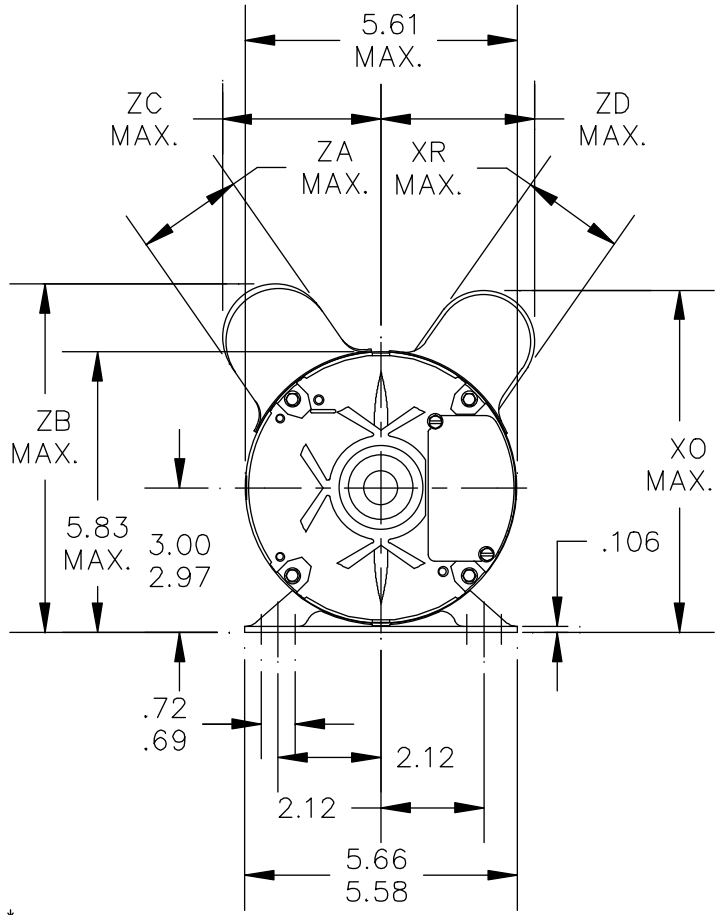


52A109398



W* IS A CLEARNCE DUE TO VARIATION IN PARTS AND ASSEMBLY.

I	KC	35	48	9.57	4.22	2.57	1.93	1.60	6.88	2.59	2.15	7.31	3.21	1.50	1.63 1.41
P	TYPE	RBC SIZE	NEMA FR	C	L	XH	XS	XR	XO	ZD	ZA	ZB	ZC	"N" MIN.	N-W

										TOLERANCES UNLESS SPECIFIED		REGAL-BELOIT CORPORATION			DRAWN M.M.E 02/28/94				
										DEC.	INCHES				CHK				
										.X	±0.1	TITLE OUTLINE DRIP PROOF WELDED BASE			APPD M.M.E 02/28/94				
										.XX	±0.02				SCALE 1=1				
2	REDRAWN IN DRAFTSIGHT							GR	10/16/12	PKG	.XXX	±0.005	MAT'L.			REF			
1	CHG TO RBC FORMAT PER ISO5-1777							SD	03/14/06		.XXXX	±0.0005				FMF			
NO.	REVISION							BY & DATE	CHK	ANG	±1.0	FINISH			PREV				
THIS DRAWING IN DESIGN AND DETAIL IS OUR PROPERTY AND MUST NOT BE USED EXCEPT IN CONNECTION WITH OUR WORK. ALL RIGHTS OF DESIGN AND INVENTION ARE RESERVED. THIS IS AN ELECTRONICALLY GENERATED DOCUMENT - DO NOT SCALE THIS PRINT										RFP	CAD FILE			52A109398		SIZE	DRAWING NO.		REV.
										DIST				A	52A109398		2		