

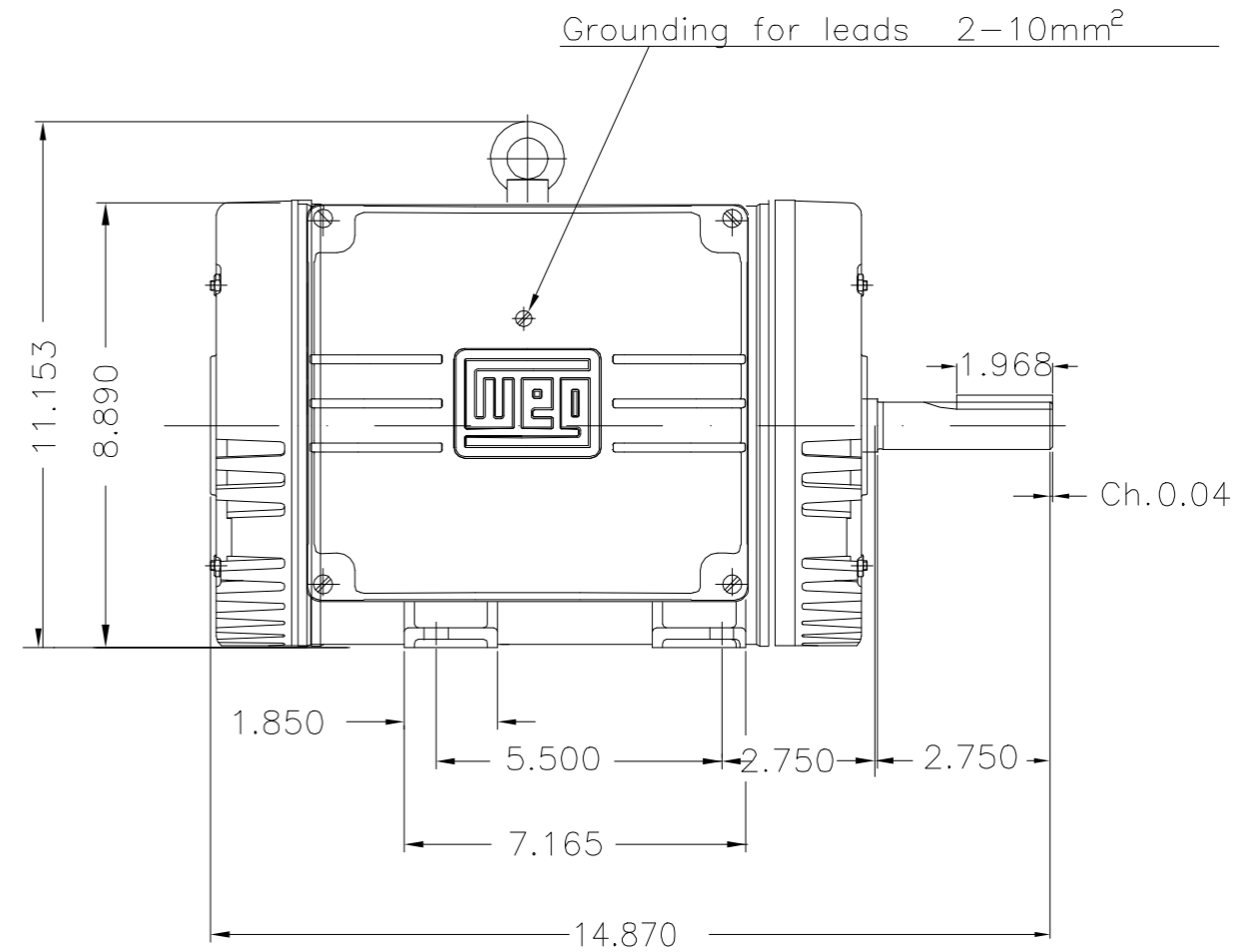
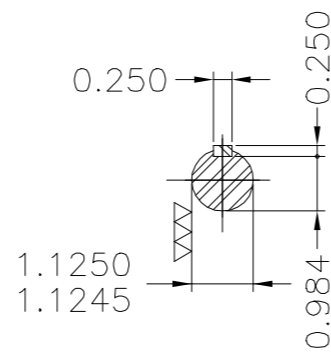
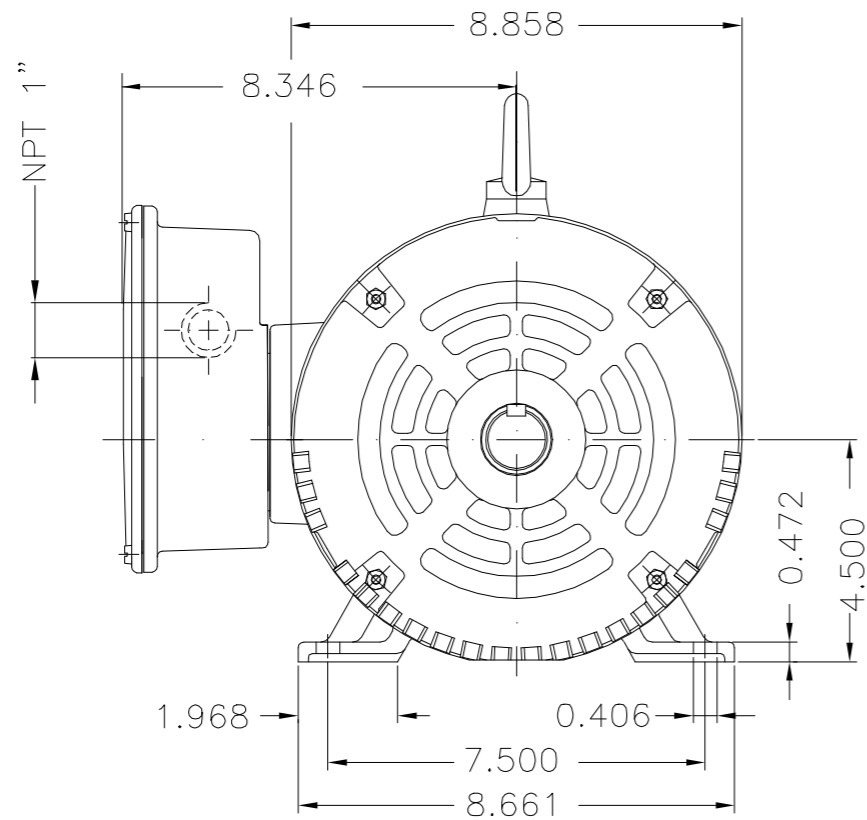
No reproduction of this drawing is allowed without written permission of WEG Motores

EIXO	
PADRÃO	X
OPCIONAL	
ESPECIAL	

FOR APPROVAL

- () Approved
- () Approved with comments
- () Not approved

THIS IS AN UPDATED REVISION, THE PREVIOUS ONE MUST BE DISREGARDED.



Tampão Liso - plástico / No threaded plastic plug

Forma construtiva B3D / Mounting B3R(D)

WEG ELECTRIC CORPORATION - WEC

500000796853	DOCUMENTO NOVO	EDUARDOC1	ANASL	10.09.2013	00			
ECM	LOC	SUMMARY OF MODIFICATIONS		EXECUTED	CHECKED	RELEASED	DATE	VER
EXECUTED	EDUARDOC1	SINGLE PHASE MOTOR						
CHECKED		FRAME 184T IP22						
RELEASED	ANASL							
REL DT	10.09.2013	WMO	JARAGUA DO SUL	ENGENHARIA DE PRODUTO	10002468351		000	00
					SHEET		1 / 1	

3 HP 04 Poles 60 Hz 413023841

UNCONTROLLED COPY

RELEASED

ZME A3