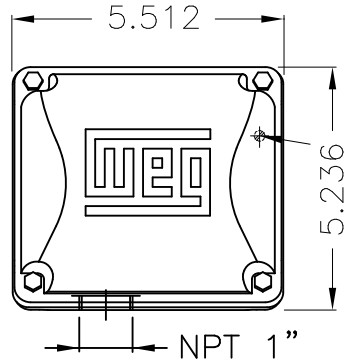
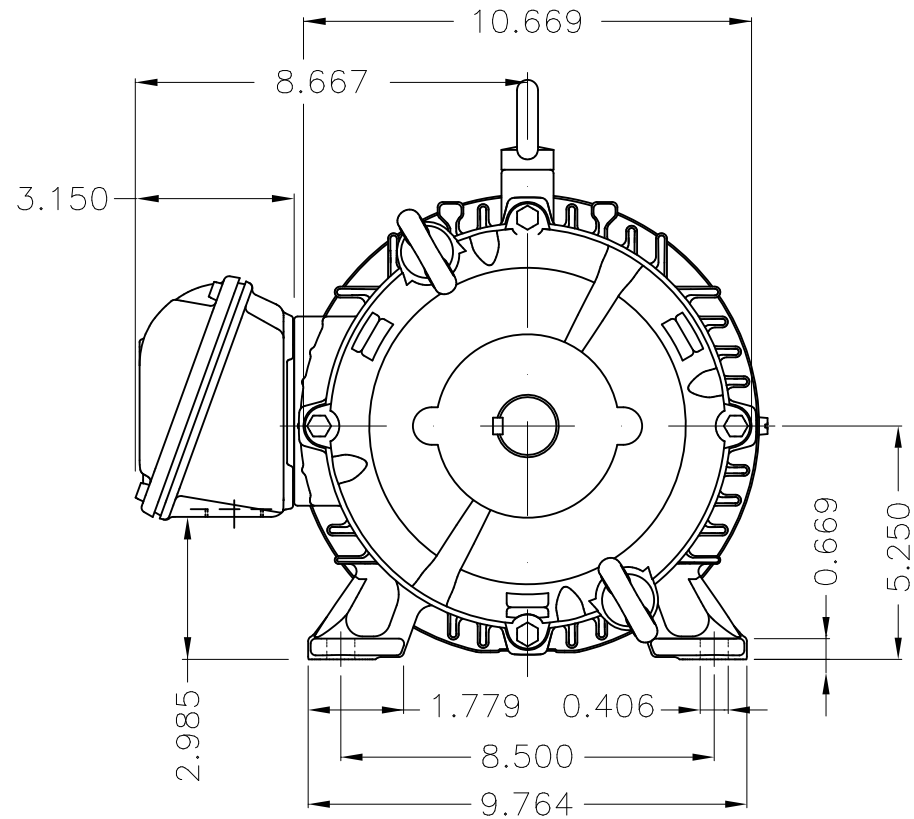


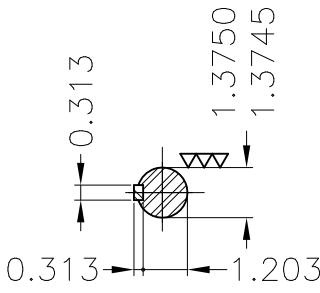
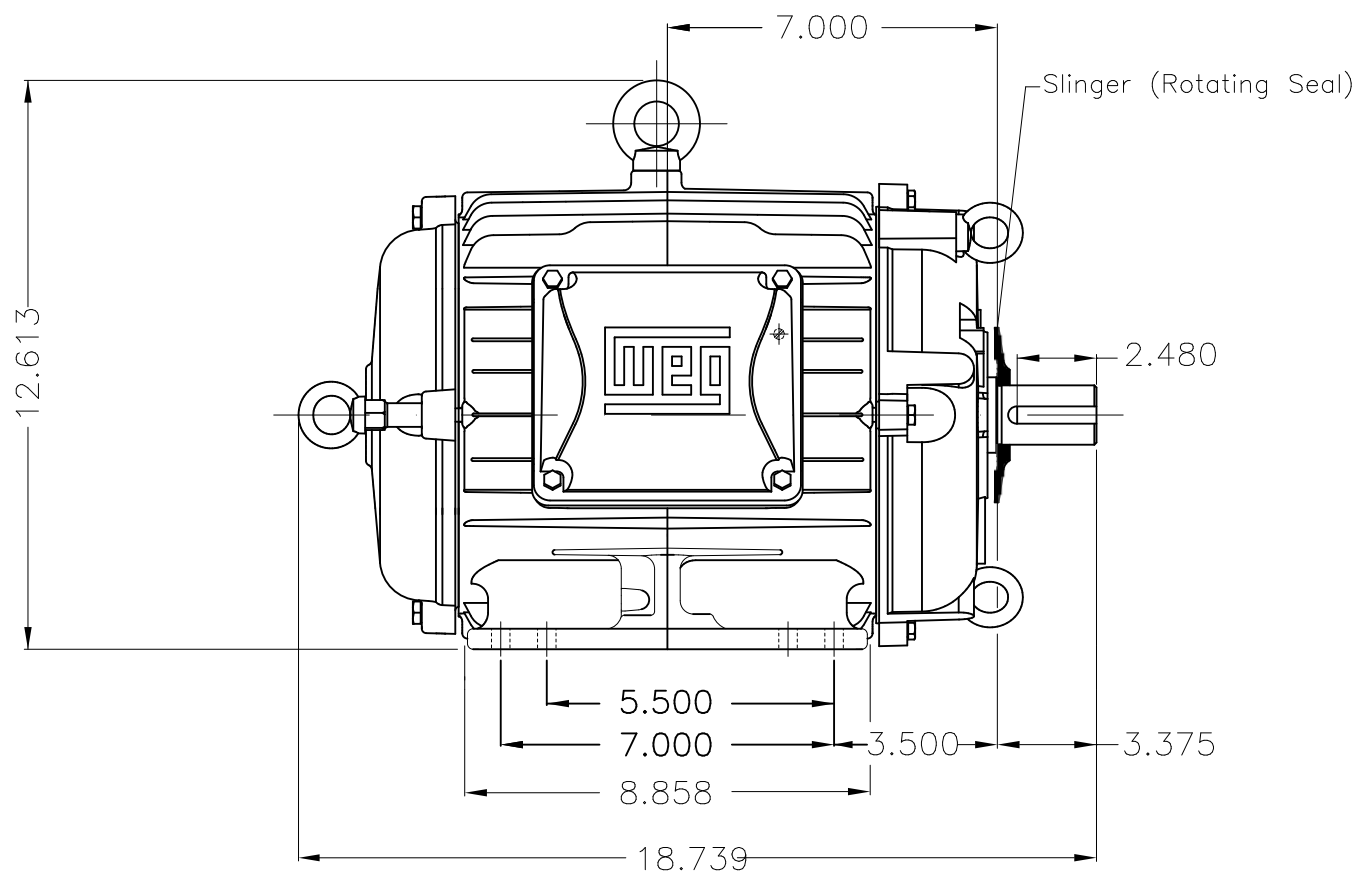
Dimensões em polegada  
Dimensions in inches

THIS IS AN UPDATED REVISION, THE  
PREVIOUS ONE MUST BE DISREGARDED.



Main terminal box

Grounding for leads 2-10 mm<sup>2</sup> / 14-7 AWG



DE Shaft End

Without fan cover  
Without fan  
Color RAL 5009  
Painting plan 202E  
Mounting B3R(D)

ECM	LOC	SUMMARY OF MODIFICATIONS			EXECUTED	CHECKED	RELEASED	DATE	VER
EXECUTED	USERADMIN		THREE PH W22 MOTOR COOLING TOWER NEMA EF						
CHECKED			FRAME 213/5T IP55 TEAO						
RELEASED			WEG code: 12125941						
REL DT	24.07.2017	WMO	Jaragua do Sul	Product Engineering	SHEET	1 / 1			

10 HP    04 Poles    60Hz

A



ZME A3