

# Product Information Packet

November 7, 2016

Data shown is for the current revision model #. Ensure your nameplate model # matches.

<b>Model Number:</b>	<b>5KS145ATE202A</b>
<b>Catalog Number:</b>	<b>E710</b>
<b>Instruction Manual:</b>	GEI-M1023
<b>Connection Diagram:</b>	GEM2034E-FIG3
<b>Outline Drawing:</b>	358B6213AB

Accessory Connection Diagrams			
<b>Bearing Thermocouple:</b>	None	<b>Heater:</b>	None
<b>RTD:</b>	None	<b>Thermistor:</b>	None
<b>Thermostat:</b>	None	<b>Winding Thermocouple:</b>	None
<b>Bearing RTD:</b>	None		

Table of Contents	
Specification	01
Performance Characteristics	02
Outline Drawing	03
Connection Drawing(s)	04

**Marks:**

<b>MODEL NUMBER:</b>	<b>5KS145ATE202A</b>	<b>Estimated Weight:</b>	54 Lbs
<b>Outline Drawing:</b>	358B6213AB	<b>Time Rating:</b>	CONT
<b>Connection Diagram:</b>	GEM2034E-FIG3	<b>Enclosure:</b>	DP
<b>Instruction Book:</b>	GEI-M1023	<b>Encl Construction:</b>	OPEN
<b>Design Code:</b>	14AD1004A	<b>Ambient Max(°C):</b>	40
<b>Type:</b>	KS	<b>Alt Ambient Max(°C):</b>	--
<b>Frame:</b>	145T	<b>Insulation Class:</b>	F
<b>Phases:</b>	3	<b>NEMA Design:</b>	B
<b>Poles:</b>	4	<b>Nominal Efficiency:</b>	86.5 %
<b>Output Power:</b>	1.5HP 1.1KW	<b>Guaranteed Efficiency:</b>	84.0
<b>RPM:</b>	1730	<b>3/4 Load Efficiency:</b>	88.4
<b>Voltage:</b>	230/460	<b>KVA Code:</b>	M
<b>Hertz:</b>	60	<b>Max KVAR:</b>	.7
<b>Amps - FL:</b>	4.2/2.1	<b>Power Factor:</b>	78
<b>Service Factor:</b>	1.15	<b>Bearing - DE:</b>	6205ZZ
<b>Alt Service Factor:</b>	--	<b>Bearing - ODE:</b>	6205ZZ

Enclosure is Dripproof

**Stamped Nameplate Notes:****Additional Information:**

4 POLE DP  
 LRA: 30.4/15.2  
 NO. OF MOTOR LEADS: 9  
 CONDUIT BOX VOLUME (IN<sup>3</sup>): 30.2  
 CONDUIT BOX MTL: STAMPED STEEL  
 GREASE TYPE: SHELL ALVANIA R3 LITHIUM GREASE  
 USABLE AT 200V @ 1.5 HP, 4.5 AMPS @ 1.0 SF  
 50 HZ DATA: 1.5 HP, 200/400V, 4.6/2.3 AMPS @ 1.0SF, 1410 RPM  
 DMK, 06/04, DATA UPDATE 11/2004  
 INVERTER DUTY PER NEMA MG1 PART 31  
 FOR VARIABLE TORQUE LOADS

**Performance Characteristics**

1st Winding 1st Connection

**Design: 14AD1004A**

Marks:

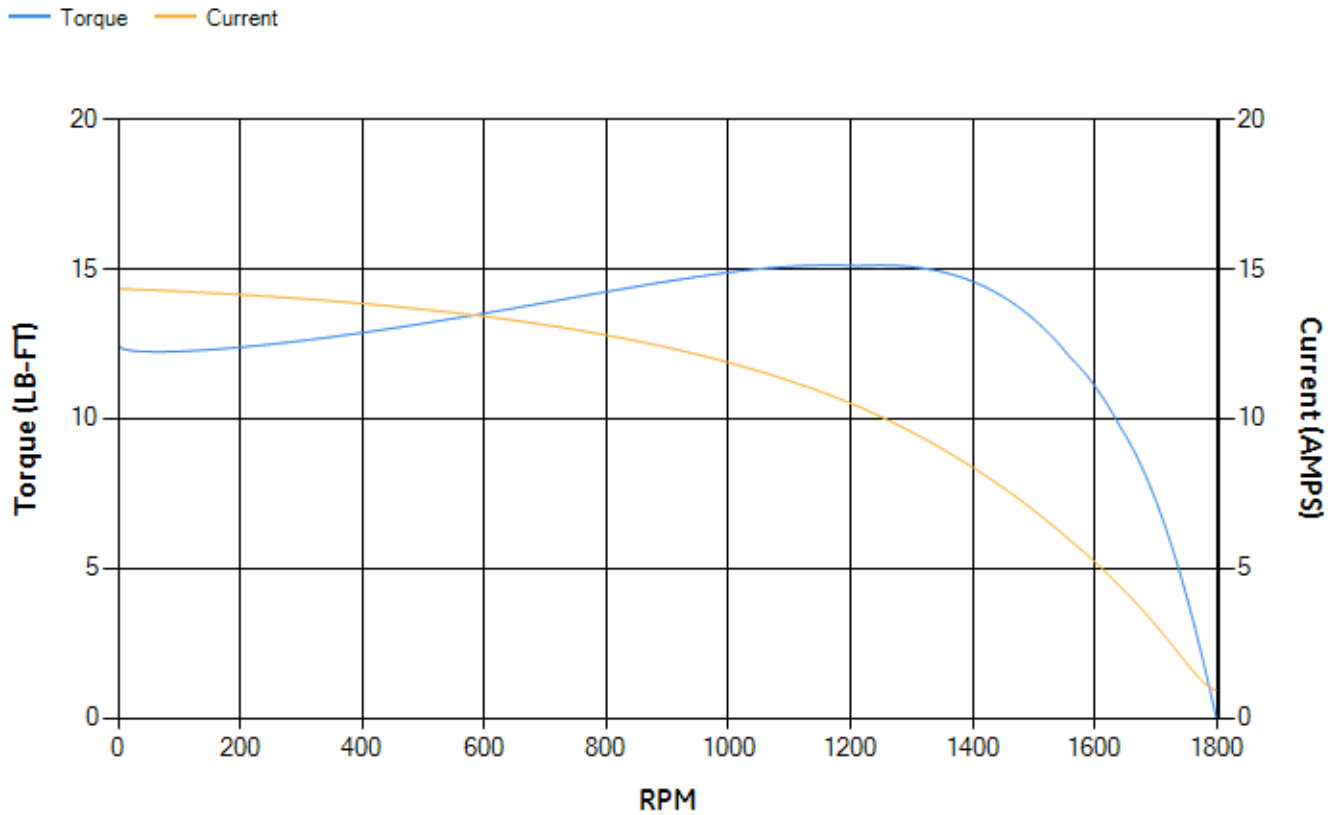
LOAD %	125.0	115.0	100.0	75.0	50.0	25.0	0.0
% EFF	86.22	86.9	87.92	88.45	87.72	82.33	0.00
% PF	83	82.04	79.97	73.96	62.36	40.8	6.9
AMPS	2.45	2.26	2	1.61	1.28	1.04	0.93

TORQ(FL)#FT	4.54	TORQ(LR)%FL	274.08	TORQ(BD)%FL	327.68
AMPS(LR)	14.34	PF AT START	0.54		

This motor is capable of two cold or one hot start with a maximum connected load inertia of 74 Lb-Ft Sq (3.12 Kg-meter Sq)at 100% voltage, where the load torque varies with the square of the speed. Acceleration time with maximum inertia and the above load type is 36 seconds. Safe stall time at 100% voltage is 86 seconds cold, 61 seconds hot. Rotor inertia is 0.11 Lb-Ft Sq (0 Kg-meter Sq).

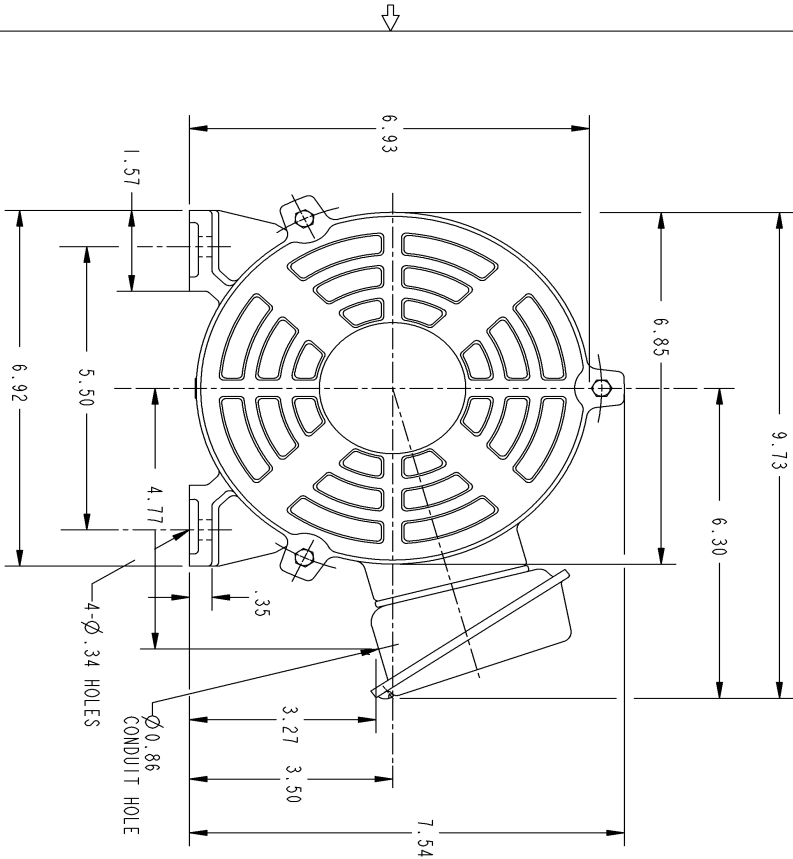
Open Circuit A-C:	0.144	Short Circuit D-C:	0.007
Short Circuit A-C:	0.007	X/R Ratio:	2.608
Stator Slots:	36	Rotor Slots:	28

**Speed Torque Current Curve (First Connection, First Speed)**



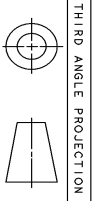
NAME:501452442 OBJECT:358B6213AB DATE:23-May-07 23:06:41

Marks:

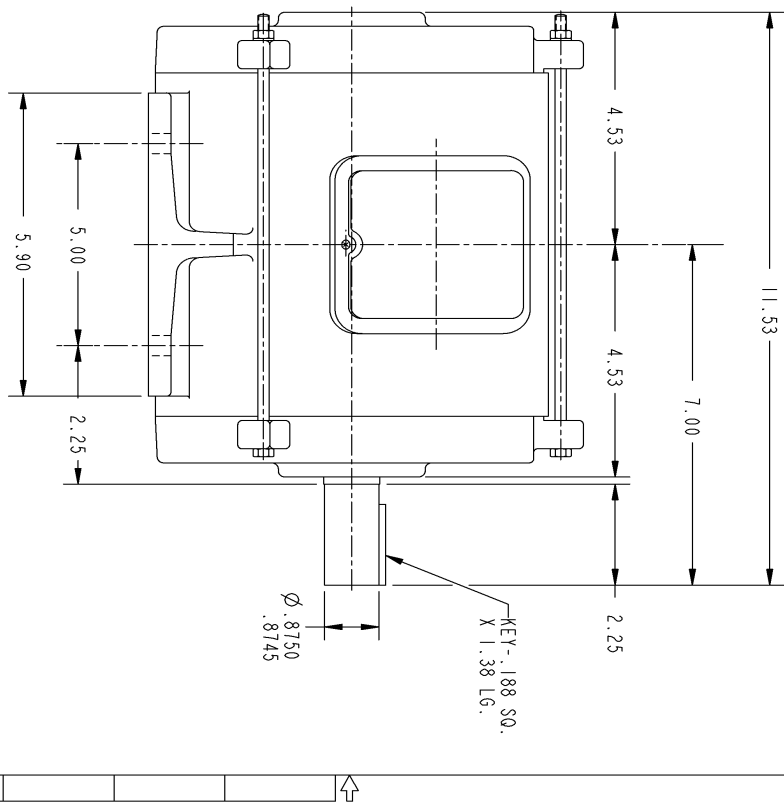


NOTES :

1. CONDUIT BOX MAY BE PLACED WITH THE ENTRANCE DOWN, UP OR ON EITHER SIDE.
2. F-1 ASM AS SHOWN.
3. F-2 ASM - HAS CONDUIT BOX ON OPPOSITE SIDE.



THIRD ANGLE PROJECTION



SIZE DRAWING FOR 358B6213AB  
 GE PROPRIETARY INNOVATION

REV.	DESCRIPTION	DATE	APPROVED
1	ISAAC 07-0770	05/02/07	R. KOHNE

UNLESS OTHERWISE SPECIFIED:		SIGNATURES		DATE	
DIMENSIONS ARE IN INCHES		DRAWN		P. RAJU 03/28/03	
TOLERANCE ON:		CHECKED		PRABHAKAR 03/27/03	
2 PL DECIMALS ±		ENGR		PRABHAKAR 03/27/03	
3 PL DECIMALS ±		ISSUED		APPLIED PRACTICES	
ANGLES ± 1°		SCALE: DRAWING SCALE		SHEET 1 OF 1	
MATERIAL:		SIZE DRAWING		REV.	
		B		1	
		358B6213AB			
		OUTLINE			
		145T - OPEN DRIP PROOF			
		GENERAL ELECTRIC COMPANY			
		Fort Wayne, Indiana			
		GE Industrial Systems			

DISTRIBUTION:

Marks:

**Connection Diagram**  
**GEM2034E-FIG3**

