

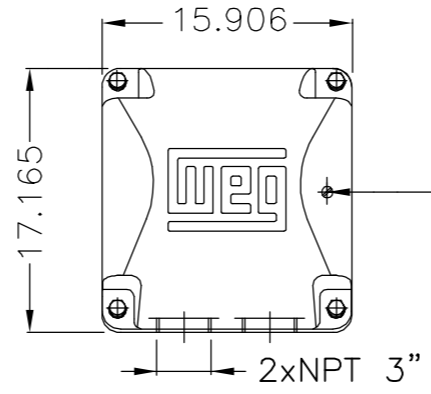
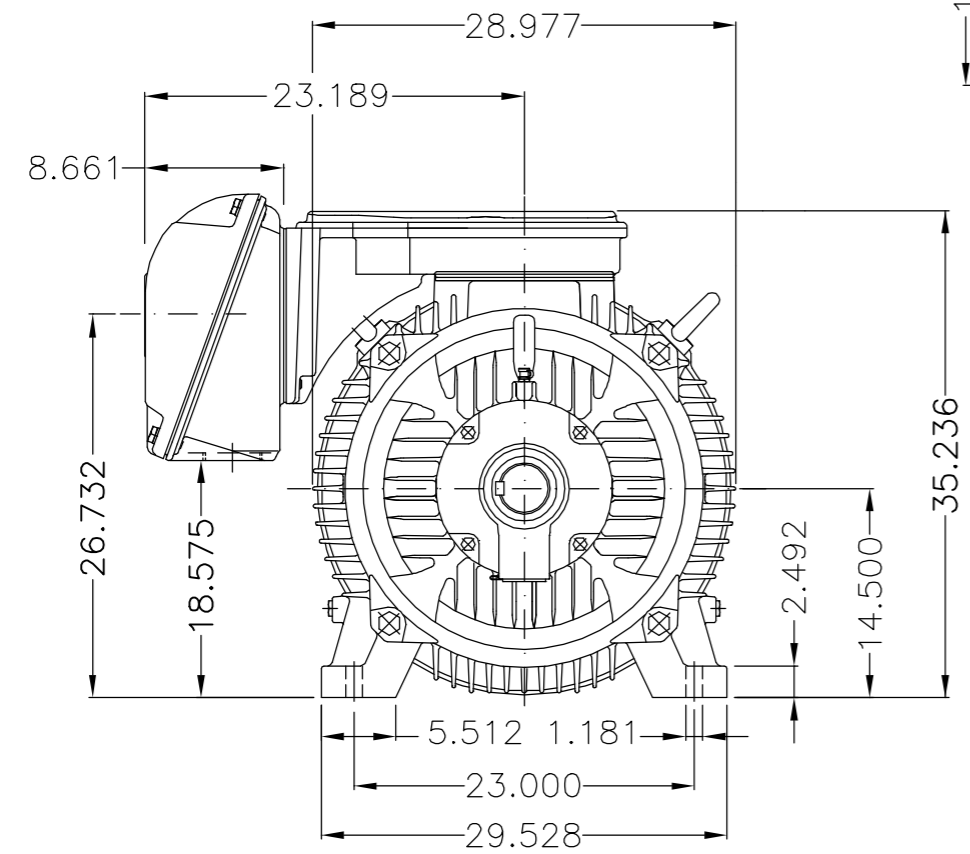
EIXO/SHAFT	
PADRÃO/STANDARD	
OPCIONAL/OPTIONAL	
ESPECIAL/SPECIAL	X

Dimensões em polegada  
Dimensions in inches

**CERTIFIED WEG MOTORES**  
Certified document.  
Not subject to changes.

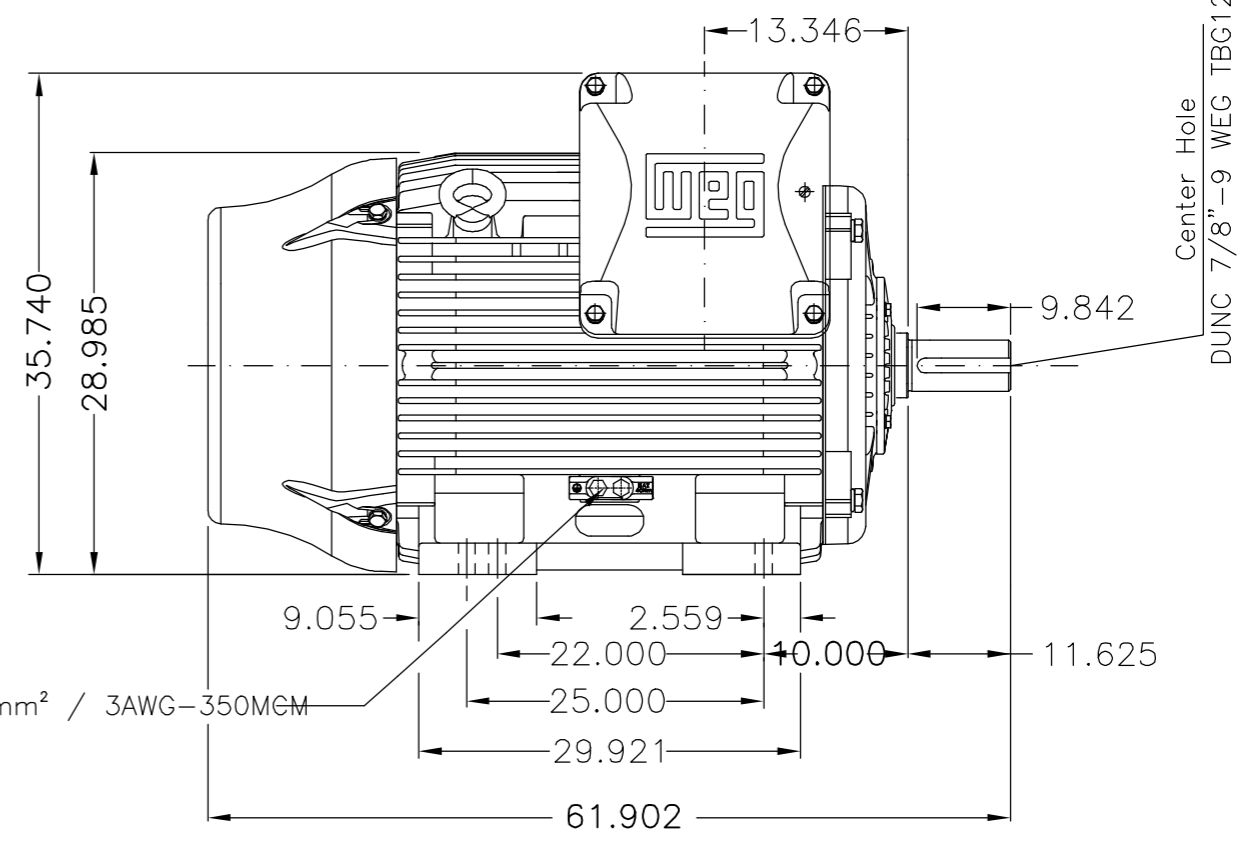
THIS IS AN UPDATED REVISION, THE PREVIOUS ONE MUST BE DISREGARDED.

A  
B  
C  
D  
E

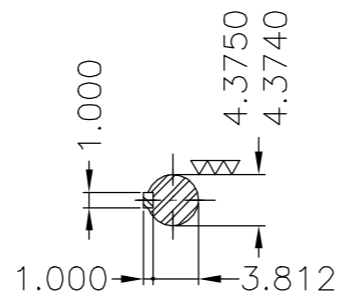


Main terminal box

Grounding for leads 35-120 mm<sup>2</sup> / 1-4/0 AWG



Grounding for leads 25-185 mm<sup>2</sup> / 3AWG-350MCM



DE Shaft End

- Rolamento dianteiro de rolos NU-324 / NU-324 DE roller bearing
- Tampa dianteira especial / Special DE endshield
- Categoria A / Design A
- Rolamento dianteiro de rolos / DE roller bearing
- Dispositivo de travamento de eixo / Shaft locking device
- Tampa traseira com mancal eletricamente isolado / NDE endshield with electrically insulated
- Cor RAL 5009 / Color RAL 5009
- Plano de pintura 203A / Painting plan 203A
- Forma construtiva NEMA F-1 / Mounting NEMA F-1
- Forma construtiva B3D / Mounting B3R(D)

**WEG ELECTRIC CORPORATION - WEC**

500001245282		ALT. CONF. CLAIM 414481094	DVEGINI	NSCHMIDT	23.11.2016	01
500001245282		DOCUMENTO NOVO	DVEGINI	NSCHMIDT	23.11.2016	00
ECM	LOC	SUMMARY OF MODIFICATIONS	EXECUTED	CHECKED	RELEASED	DATE VER
EXECUTED	DVEGINI	THREE PHASE W22 MOTOR - NEMA PREMIUM EFF FRAME 586/7Z IP55 TEFC	10004622356			
CHECKED						
RELEASED	NSCHMIDT					
REL DT	23.11.2016	WMO Jaraguá do Sul	Product Engineering	SHEET	1 / 1	

350 HP	04 Poles	60Hz	414481094/0	ELET/MEC	B
300 HP	06 Poles	60Hz	414481009/0	ELET/MEC	A



UNCONTROLLED COPY

RELEASED

ZME A3