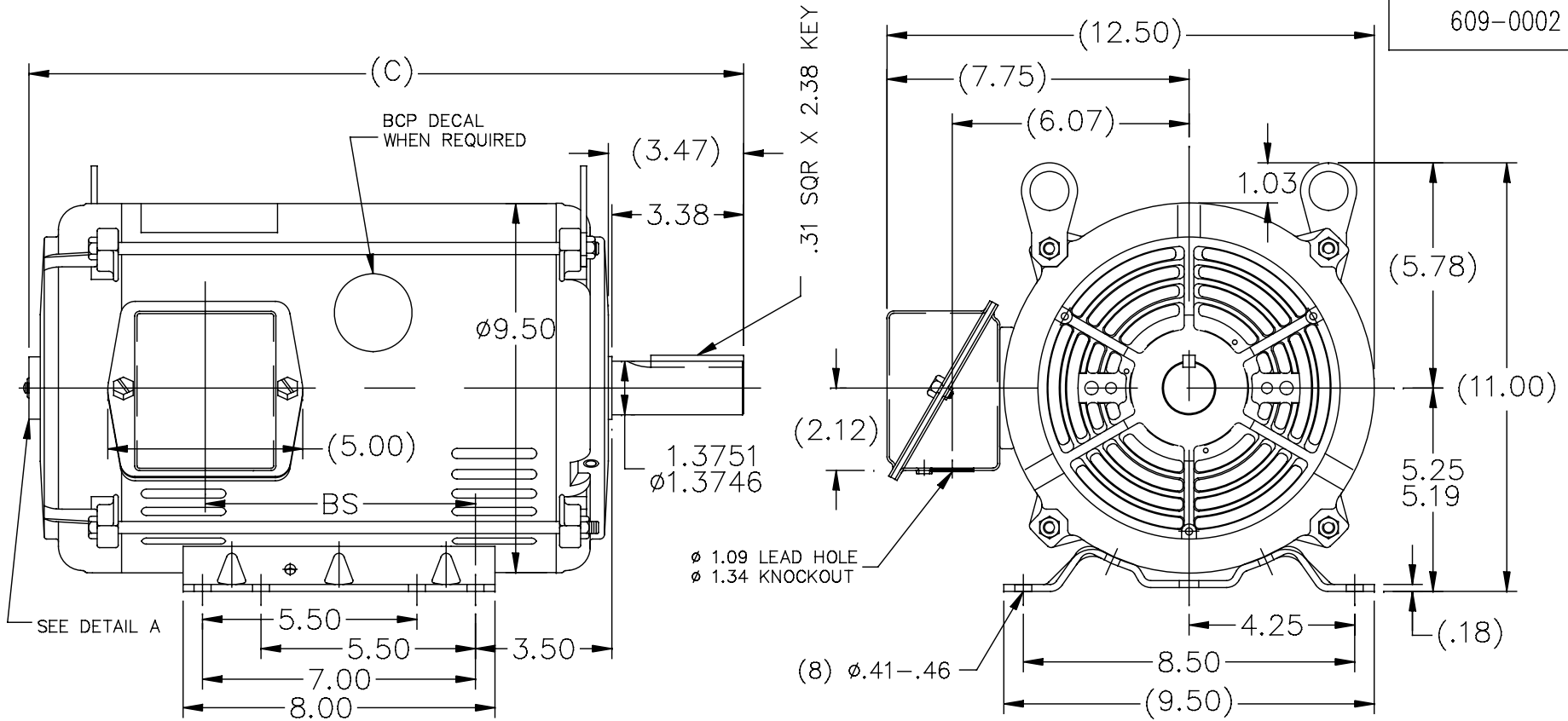


609-0002

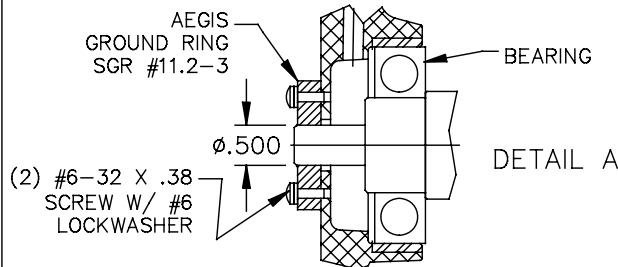


Ø 1.09 LEAD HOLE  
Ø 1.34 KNOCKOUT

DASH	FR.	C	BS	MOUNTING
965	213T	16.75	5.43	
1115	213/15T	18.25	6.93	
1240	213/15T	19.50	8.18	F1 ONLY
1545	215T	22.88	11.23	F1 ONLY

**NOTES:**

1. NAMEPLATE TO BE READ FROM C'BOX SIDE OF MOTOR.
2. BOX CAN BE MOUNTED IN 90° STEPS.
3. BOX CAN BE MOUNTED ON OPPOSITE SIDE BY REMOVING BRACKETS AND TURNING FRAME 180°. (EXCEPT AS NOTED.)



GROUND RING SCREWS ARE MOUNTED IN HORIZONTAL POSITION.

		TOLERANCES UNLESS SPECIFIED		<b>REGAL™ Regal Beloit America, Inc.</b>		DRAWN LST 6/27/13		
		DEC.	INCHES			CHK		
		.X	±.1			APPD		
		.XX	±.03	TITLE OUTLINE 210T FR. - BB - TS - DR.PR.		SCALE 1=4		
		.XXX	±.005			REF		
B	TITLE BLOCK LOGO CHANGE PER ECO-0078542	MDV 06-09-15	MDV .XXX	±.005			FMF	
A	LEAD HOLE & KNOCKOUT ADDED PER ECO-0059319	UD 09-03-14	ST .XXXX	±.0005			PREV	
NO.	REVISION	BY & DATE	CHK	ANG	FINISH			
THIS DRAWING IN DESIGN AND DETAIL IS OUR PROPERTY AND MUST NOT BE USED EXCEPT IN CONNECTION WITH OUR WORK ALL RIGHTS OF DESIGN AND INVENTION ARE RESERVED THIS IS AN ELECTRONICALLY GENERATED DOCUMENT - DO NOT SCALE THIS PRINT		RFP	CAD FILE SS86668		SIZE	DRAWING NO.	PAGE OF	REV.
		DIST LB			A	609-0002		B