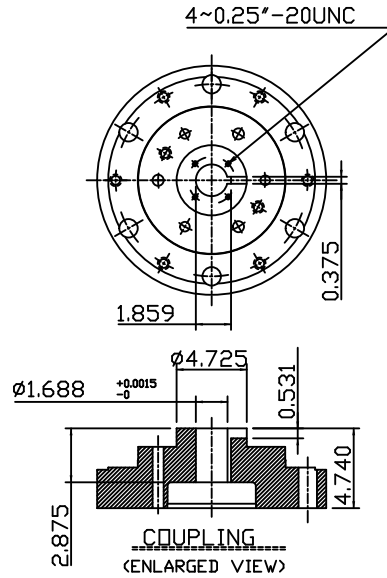
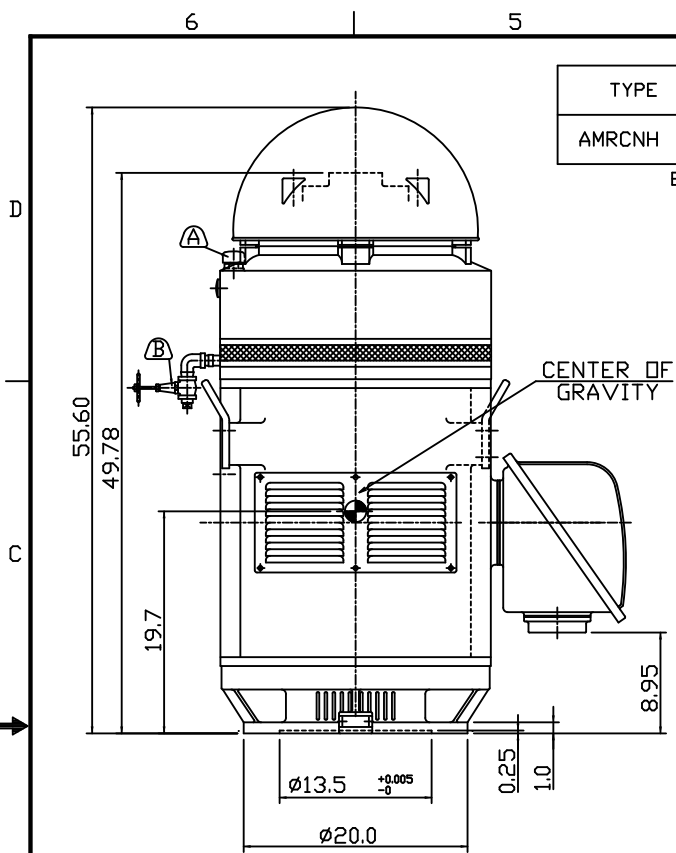
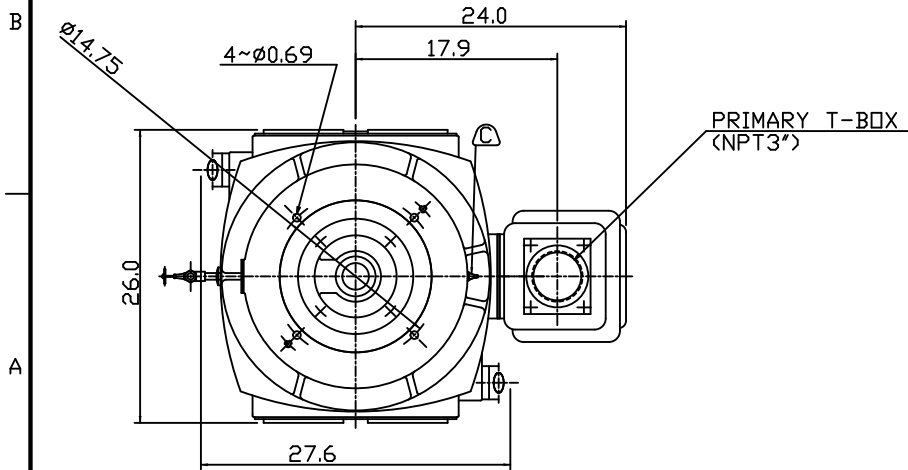


TYPE	OUTPUT		POLE	TIME RATING	VOLTAGE V	Hz	SYN.SPEED R.P.M
	HP.	kW.					
AMRCNH	300	224	4	CONT	460	60	1800

ENCLOSED VENTILATED VERTICAL HOLLOW SHAFT TYPE, SQUIRREL CAGE ROTOR
NEMA WEATHER PROTECTED TYPE I



- NOTE:
1. DIMENSIONS IN INCHES.
 2. FRAME NO.447TP.
 3. F CLASS INSULATION.
 4. FOR DIRECT FLEXIBLE COUPLING.
 5. BEARING SIZE:
UPPER BEARING: 7326B [UNINSULATED]
LOWER BEARING: 6318C3 [UNINSULATED]
 6. LUBRICATION:
UPPER BEARING USE OIL.
OIL VISCOSITY: ISO VG68[300 SSU/100°F]
OIL QUANTITY: 8.6GAL.
LOWER BEARING USE ESSO POLYREX EM GREASE.
 7. THRUST CAPACITY:
MAX. ALLOWABLE CONT. DOWNTHRUST: 13400 LBS.
BEARING LIFE: B10/8800 HRS.
 8. ROTATION: COUNTER-CLOCKWISE(VIEWED FROM TOP).
 9. WITH NON-REVERSE RATCHET MECHANISM.
 10. WITH GIB KEY:0.375x0.375x2.875,1PCS
 11. NATURAL REED FREQUENCY: 46.5HZ.
ABOVE CALCULATION IS CONSIDERING MOTOR AND FOR REFERENCE ONLY.
THE WHOLE PUMPING SYSTEM ANALYSIS SHALL BE PERFORMED BY THE PUMP MANUFACTURER.
 12. MOTOR APPROX. WEIGHT: 2470LBS.



- (A) OIL FILLER [UPPER BEARING]
- (B) OIL DRAIN [UPPER BEARING]
- (C) GREASE INLET NIPPLE [LOWER BEARING]

DATE MARCH 6, 2012	OUTLINE DIMENSIONS	
CAT. #: VHP3004	3-PHASE INDUCTION MOTOR	
DWN. S.WANG FEB-25-2009	TEC Westinghouse	DWG NO. REV:00
CHKD. S.WANG FEB-25-2009		3B040T895
APPD. C.WANG FEB-26-2009		